

# KESMAC LIFTS

## 4500 – 5000

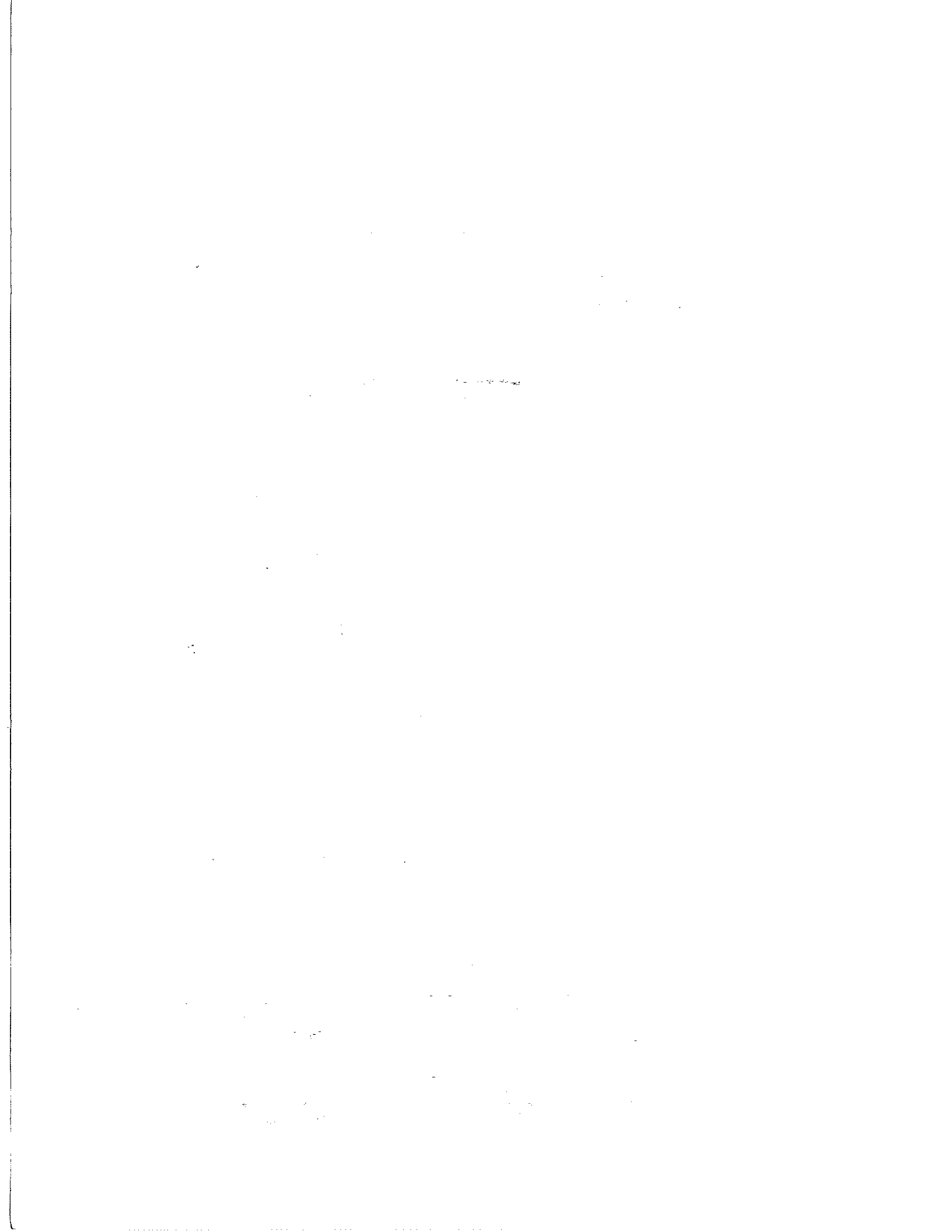
### PARTS LIST



Up to Serial Number 249.

## KESMAC Inc.

23324 Woodbine Avenue, Keswick Ontario Canada L4P 3E9  
Tel (905) 476-6222 Fax (905) 476-6744 Web Site [www.kesmac.com](http://www.kesmac.com)



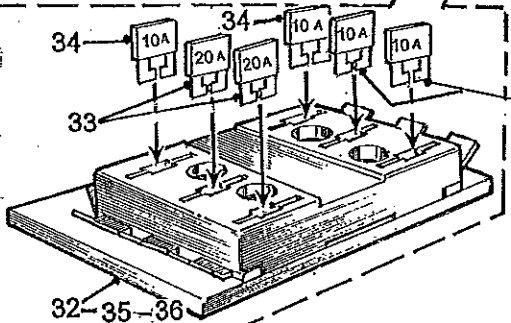
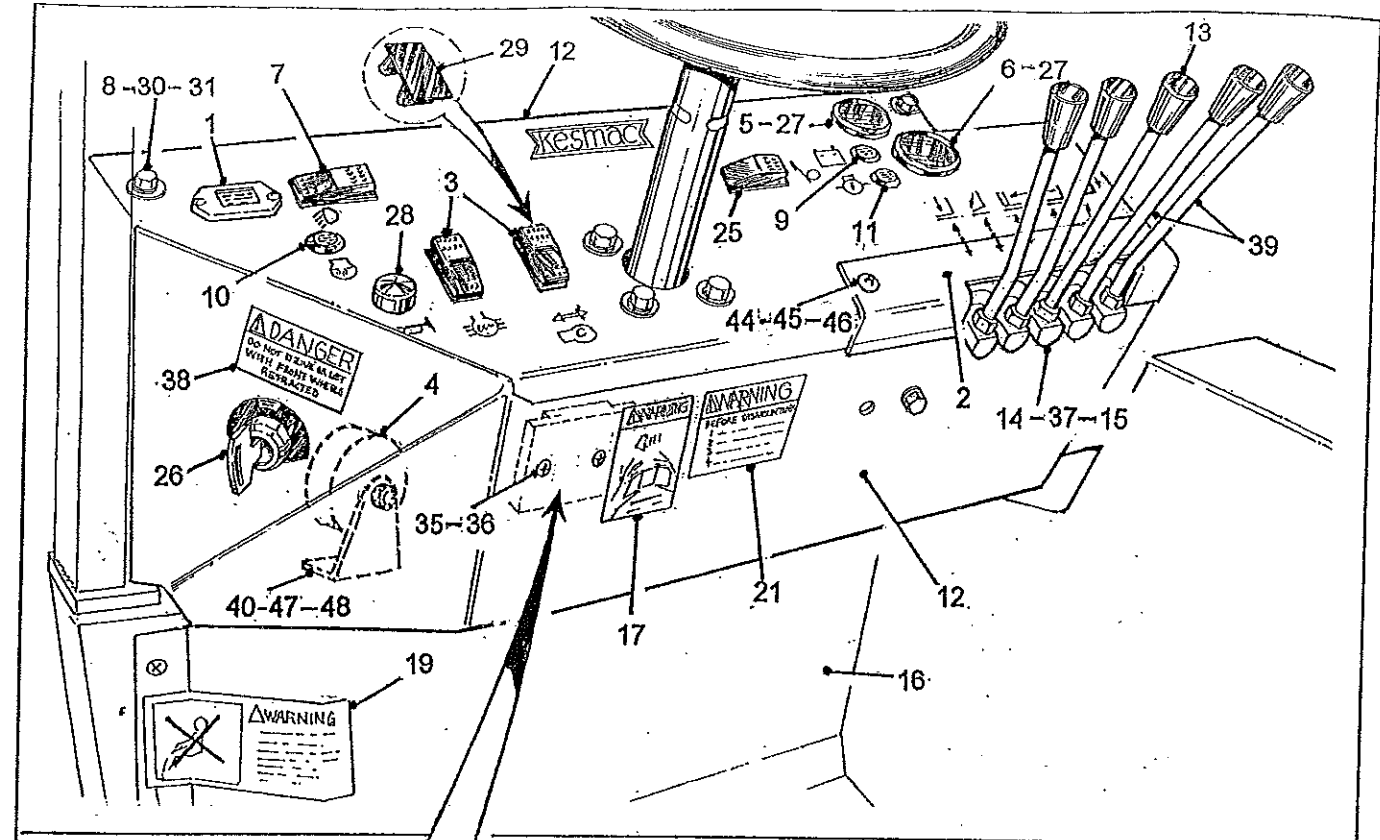
# PARTS LIST SUPPLEMENT

## INDEX

	PAGE
Dash Panel Controls & Switches	1
One Piece Hood & Panels (New Decals & Battery Terminal Cover)	3
Hydraulic Circuit – Drive (Relocated Return Manifold)	5-8
Hydraulic Circuit – Auxiliary (Series Cylinders)	9 – 14
Engine Mounts – Rubber	15
Fuel Tank & Fittings (Relocated Fuel Filter)	17
F.O.P.S. Assembly (Addition of Manual Holder)	19
Donaldson Air Cleaner – One Piece Hood (Vertical Mufflers – With Supports) See Page 27	21
Horizontal Muffler (New One Piece Hood)	23
Carriage Roller (With Polymer Bush)	24
Tank cover & One Piece Hood	25
Three Piece Air Cleaner Hose	27
Hand Throttle Control. (Accessory)	28

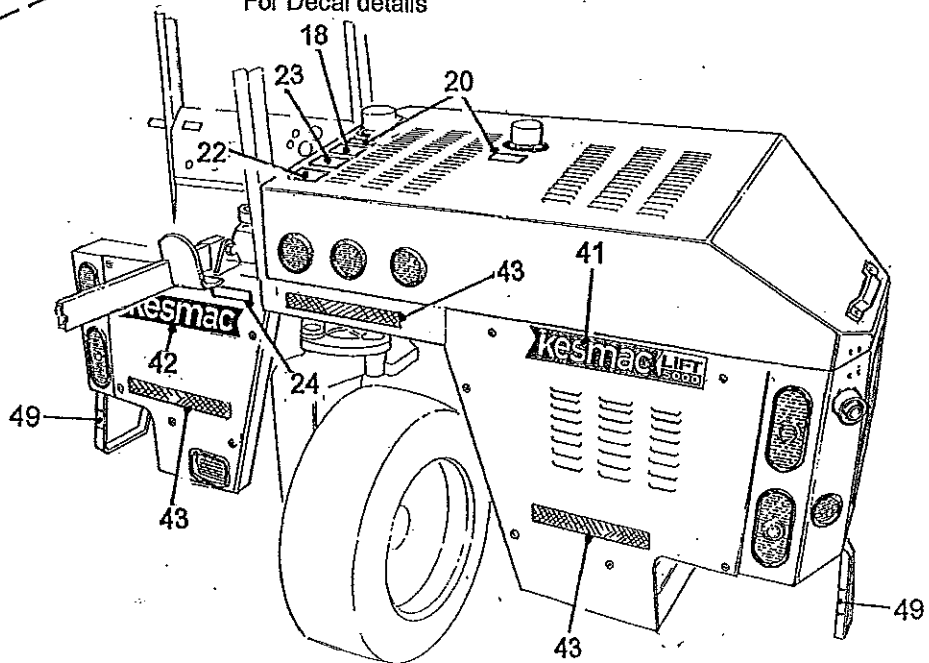
### NOTE

The Blue Supplement Section must be used to identify parts that are specific to units from Serial No. 120.  
The White Section covers earlier units and parts that are common to all units.

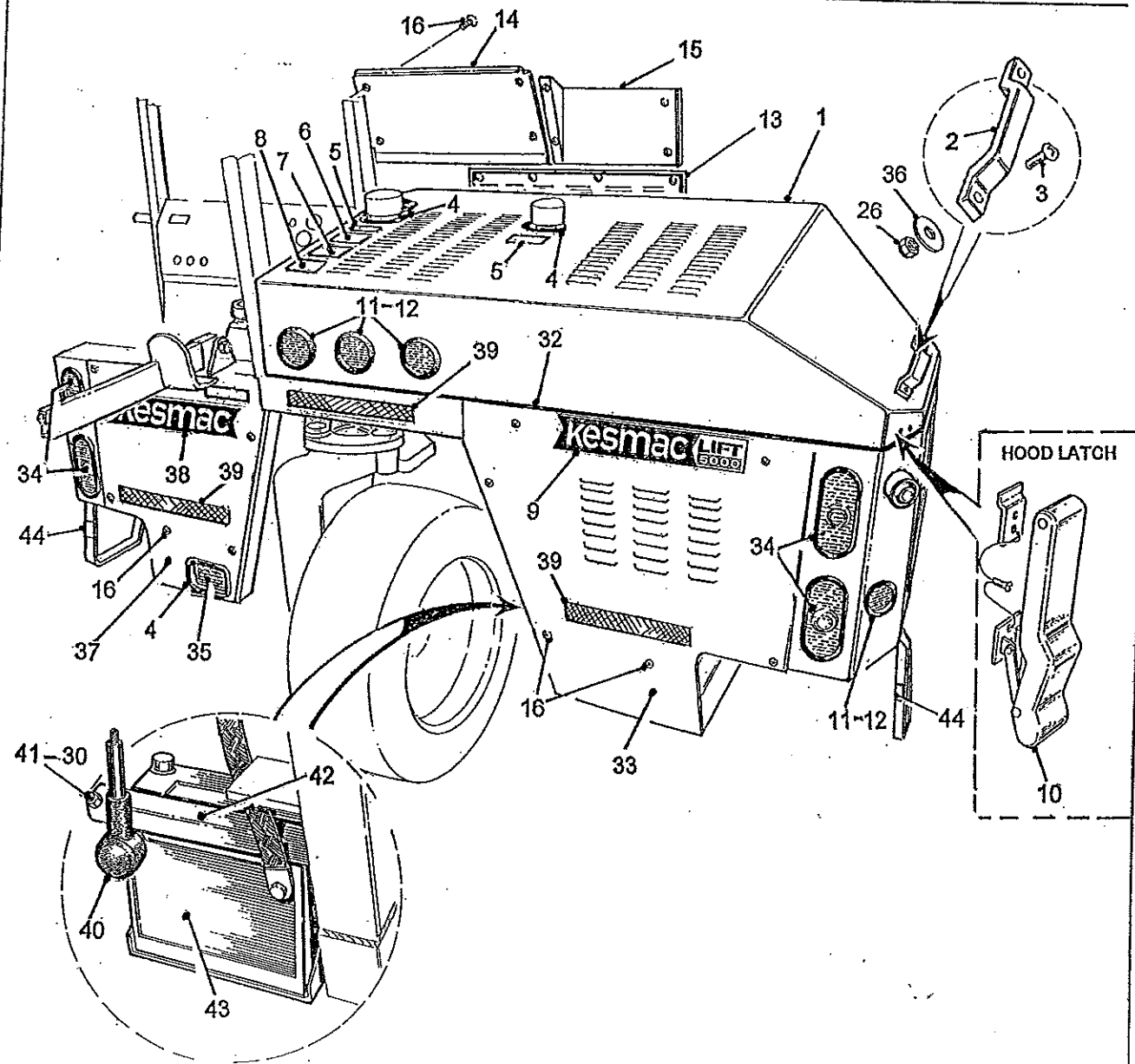
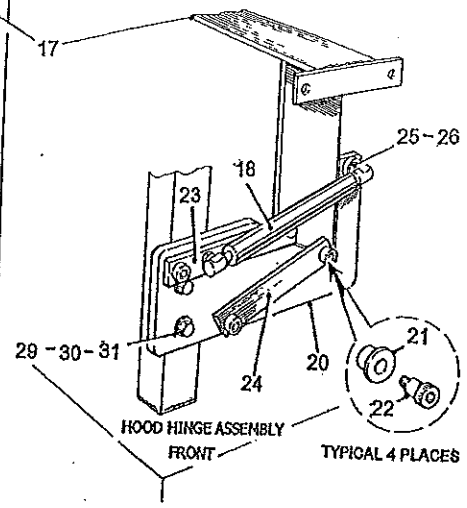
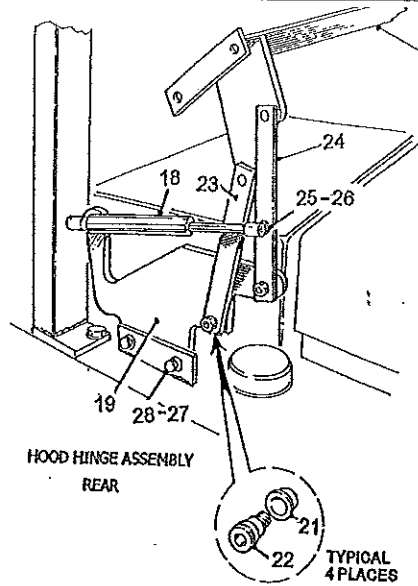


Optional equipment  
 • Back-up Alarm  
 • Globe Light

See Page 55 in Parts Manual  
 For Decal details



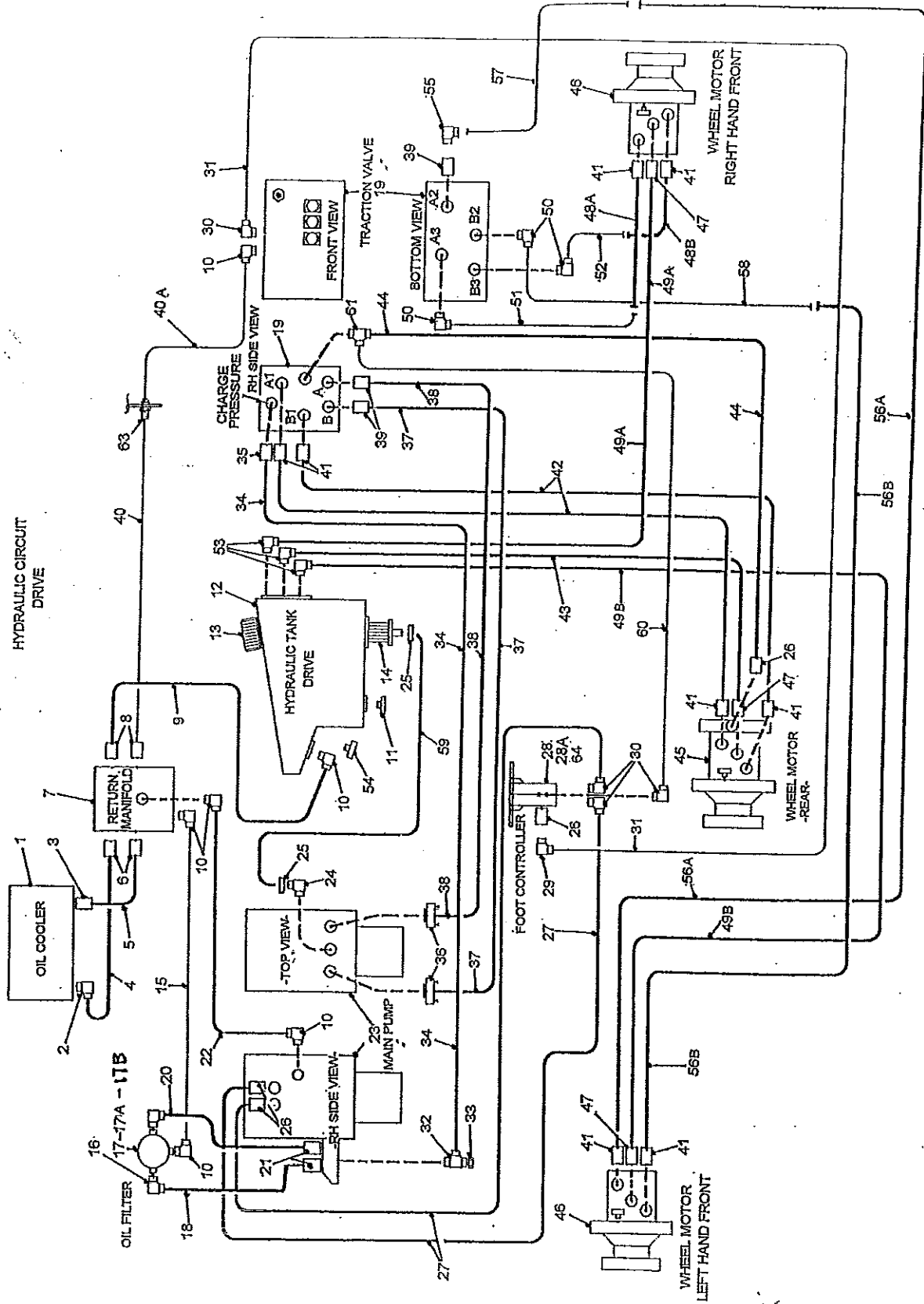
ITEM NO	PART NO	DESCRIPTION	QTY
		DASH PANEL CONTROLS/SWITCHES	
1	KE70005	Hour Meter	1
2	T500065	Control Valve Cover c/w Decals	1
3	KE80011	Switch - Diff. Lock & Leg Lock	2
4	KE10027	Horn	1
5	KE70002	Water Temp Gauge	1
6	KE70004	Oil Temp. Gauge	1
7	KE80010	Switch - Lights	1
8	F010506	Bolt-Panel Retaining 5/16 x 3/4 UNC	4
9	KE90001	Warning Light - Amber	1
10	KE90002	Warning Light - Green	1
11	KE90003	Warning Light - Red	1
12	T500064	Dash Panel c/w Decals	1
13	KH20031	Control Handle (Straight)	1
14	KH20032	Control Valve 5-Spool	1
15	KH70036	Control Valve Seal Kit (5 & 6 spool)	1
16	T100342	Floor Board - Front Panel	1
17	D001-019	Decal - "Fasten Seat Belt"	1
18	D001-046	Decal - "Capacity Load Chart!"	1
19	D001-024	Decal - "No Riders"	1
20	D001-022	Decal - "Hydraulic Oil!"	1
21	D001-028	Decal - "Before Dismounting....."	1
22	D001-515	Decal - "Peligro"	1
23	D001-037	Decal - "To Prevent Serious Injury"	1
24	D001-023	Decal - "Diesel Fuel"	1
25	KE80008	Switch - Park Brake	1
26	KK10023	Ignition/Start Switch - Refer to Kubota Manual	1
27	KE10002	Bulb c/w holder (Water & Oil Temp Gauges)	2
28	KE10021	Horn - Push Button	1
29	KE80012	No. 6 Cap (Fixed Leg Model only) in place of item 3. Leg Lock Switch	1
30	F320500	Flatwasher 5/16	4
31	F210500	Locknut	4
32	KE10060	Fuse Block	1
33	KE10061	Fuse 20 Amp	2
34	KE10062	Fuse 10 Amp	2
35		Screw #10 - 24 x 1 in	2
36		Locknut #10	2
37	KH20033	Control Valve - 6 Spool (Option)	1
38	D001-045	Decal "Do Not Drive or Lift"	1
39	T100888	Control Handle (Angled)	4
40	T100812	Horn Bracket	1
41	D001-013	Decal. "Kesmac Lift 5000"	1
	D001-038	Decal "Kesmac Lift 4500"	1
42	D001-048	Decal "Kesmac " (16 in)	1
43	D001-062	Reflective Tape (Red/White)	3
44		Screw 1/4 x 1/2 Button Hd S/S	2
45	F240400	Clip Nut	2
46	F320400	Flatwasher 5/16	2
47	F010506	Bolt-Panel Retaining 5/16 x 3/4 UNC	2
48	F210500	Locknut	2
49	D001-030	Reflective Tape (Red)	2



ITEM NO	PART NO	DESCRIPTION	QTY
		ONE PIECE HOOD & PANELS ASSY	
1	T300156	Hood Assembly (One Piece Hood)	1
2	KM99011	Lift Handle	1
3	F540406	Screw 1/4 X 3/4 S.S.	2
4	Q8350	Edging (order by foot)	A/R
5	D001-022	Decal "Hydraulic Oil"	2
6	D001-046	Decal - "Capacity Load Chart"	1
7	D001-037	Decal "To Prevent Serious Injury....."	1
8	D001-515	Decal - "Peligro"	1
9	D001-013	Decal "KesmacLift 5000"	1
9A	D001-038	Decal "Kesmac Lift 4500"	1
10	KM99010	Latch	2
11	KE10055	Lamp - Red Round	3
12	KE10008	Grommet - Lamp	3
13	T100249	Panel - Front Lower	1
14	T100711	Panel - Front Upper LH	1
15	T100714	Panel - Front Upper RH	1
16	F540406	Screw 1/4 x 3/4 s/s	16
17	T300116	Hood Cross Piece Support	1
18	KM10004	Strut	2
19	T300115	Support Bracket - Hood Lift, Rear	1
20	T300114	Support Bracket - Hood Lift, Front	1
21	KB12108	Bushing	8
22	F200004	Shoulder Bolt 1/2 x 1/2	8
23	T100707	Link Arm, Upper	2
24	T100706	Link Arm, Lower	2
25	KM99013	Ball Stud	2
26	F210400	Lock Nut 1/4	4
27	F010612	Bolt 3/8 x 1 14	2
28	F320600	Flatwasher 3/8	2
29	F010520	Bolt 5/16 x 2	2
30	F210500	Lock Nut 5/16	2
31	F320500	Flatwasher 5/16	3
32	Q8351	Rubber Strip (order by foot)	A/R
33	T100742	Rear Panel R.H.	1
34	KE90006	Lamp Rear Stop c/w Grommet	4
35	KE90004	Lamp - Reverse	A/R
36	F340408	Fender Washer 1/4	2
37	T100741	Rear Panel LH	1
38	D001-048	Decal "Kesmac" (6in)	1
39	D001-062	Red Reflective	3
40	KE10076	Battery. Pos. Terminal Cover	1
41	F010570	Bolt. Battery Retainer	2
42	T100863	Battery. Hold Down	1
43	KE10074	Battery	1
44	D001-030	Decal Red Reflective	2

# HYDRAULIC CIRCUIT - DRIVE

## HYDRAULIC CIRCUIT DRIVE

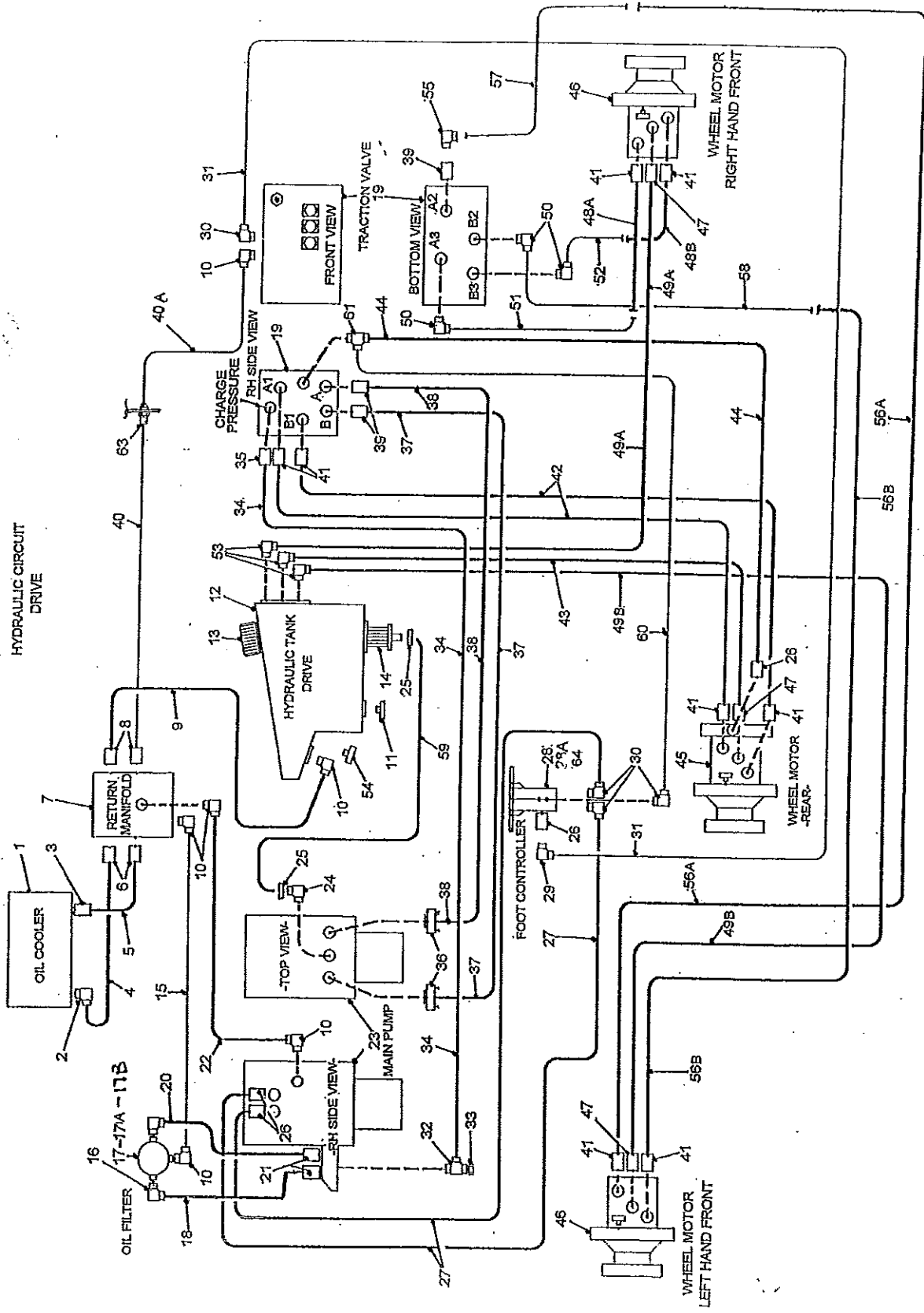




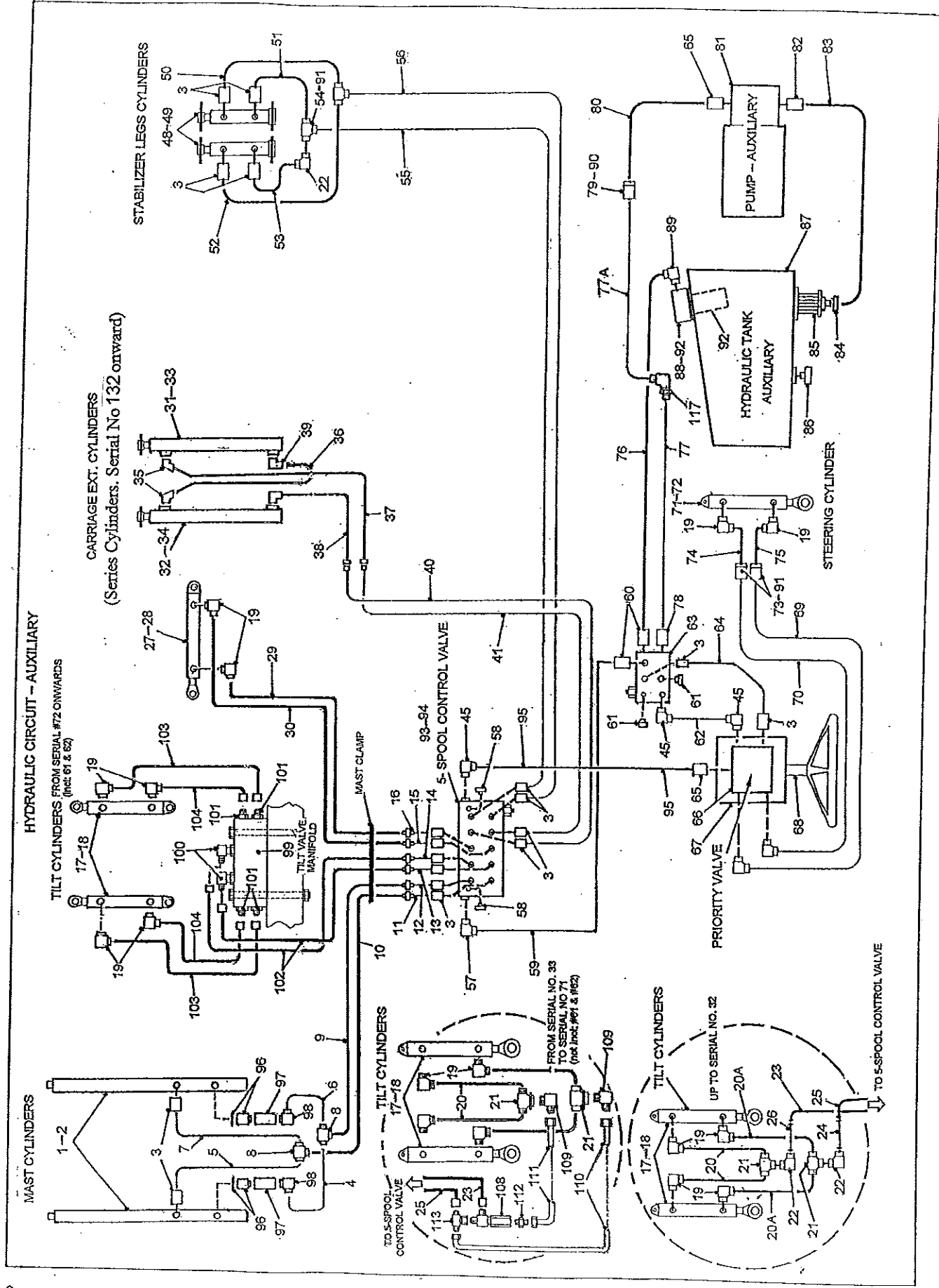
ITEM NO	PART NO	DESCRIPTION	QTY
		HYDRAULIC CIRCUIT - DRIVE	
1	KH40008	Oil Cooler	1
2	8-8-070202	No. 8 Tube to 1/2 in NPT Male 90 deg Elbow	1
3	8-8-070102	No. 8 Male Connector to 1/2 NPT	
4	T100583	Hose Assy- Oil Cooler	1
5	T100584	Hose Assy - Oil Cooler	1
6	8-8-070120	No. 8 Connector	3
7	KH20014	Return Manifold	1
8	12-12-070120	No. 12 Connector	2
9	T100532	Hose Assy	1
10	12-12-070220	No 12 'O' Ring 90 deg. Elbow	5
11	12-090109A	No 12 'O' Ring Plug	2
12	T300049	Hydraulic Tank Drive	1
13	KH40003	Filler Breather Cap C/W Strainer	1
14	KH40007	Strainer - In Tank	1
15	T100500	Tube Assy Filter Return	1
16	10-12-070220	No. 10 Tube to No. 12 90 deg. Elbow	3
17	KH40006	Filter Assy	1
17A	KH99002	Filter Cartridge	1
17B	KH99003	Filter Indicator	1
18	T100502	Hose Assy.	1
19	KH20011	Traction Valve	1
20	T100501	Hose Assy.	2
21	10-10-070120	No. 10 Connector	1
22	T500585	Hose Assy	1
23	KH30001	Main Pump	1
24	20-16-430292	90 deg. Elbow - 1 1/4 Hose Barb to no. 16 "O"Ring Boss	1
25	M6-44-47	Hose Clamp	2
26	4-6-070120	No. 4 Tube to No. 6 Connector	3
27	T100599	Hose Assy	2
28	KH20012	Foot Controller (HCF-85-285)	1
28A	KH70018	Seal Kit - Foot Controller	1
29	4-4-070221	No. 4 Swivel Nut 90 deg Elbow	1
30	4-6-070220	No. 4 Tube to No. 6 90 deg Elbow	3
31	T100534	Tube Assy Foot Pedal Drain	1
32	6-6-6-070428	No. 6 "O" Ring Run Tee	1
33	6-070112	No. 6 Tube Cap	1
34	T100578	Hose Assy	1
35	6-4-070120	Connector No. 6 Tube to No.4	1
36	16-110162	Split Flange Fitting (SKF62-16)	2

# HYDRAULIC CIRCUIT - DRIVE

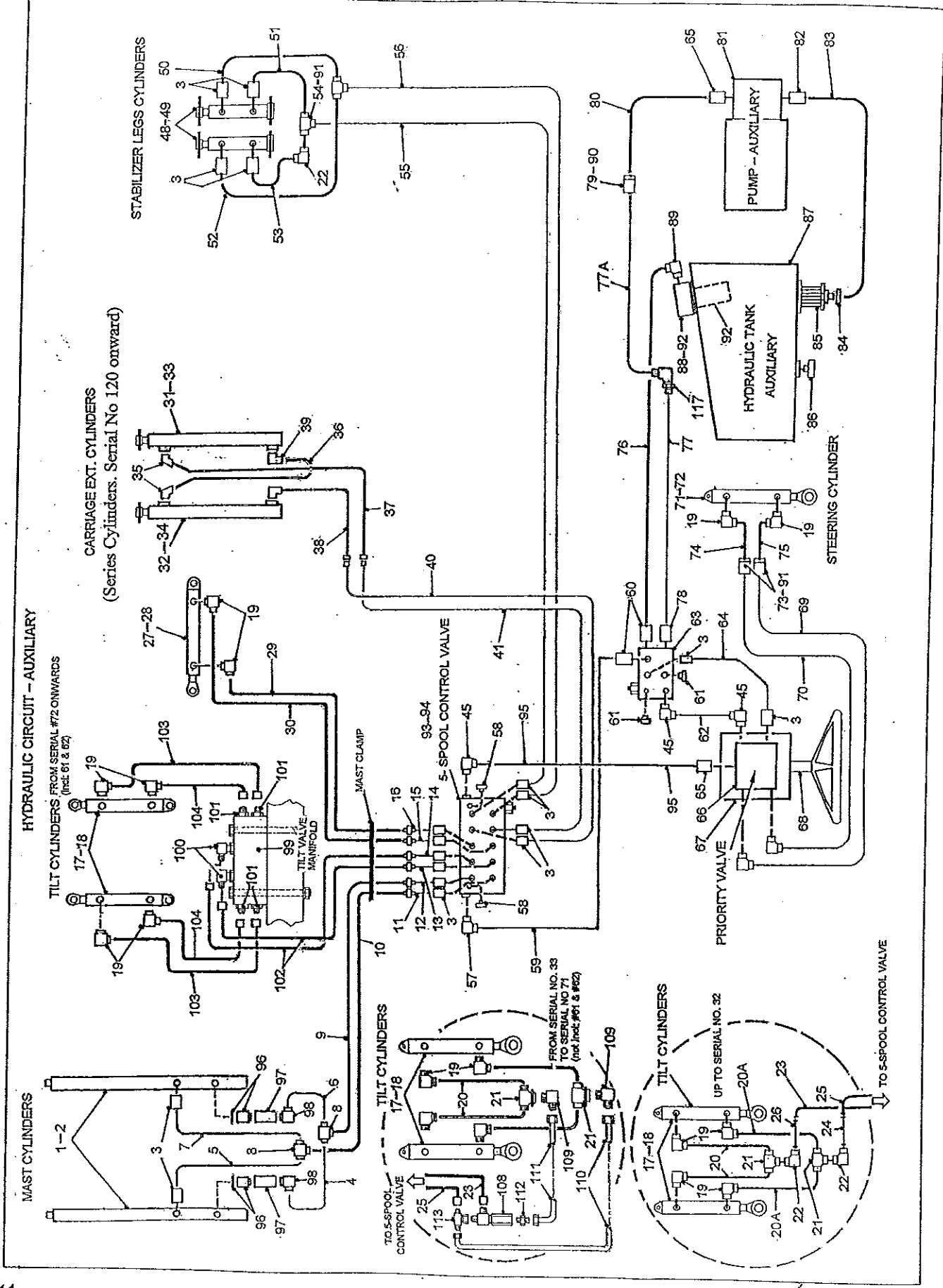
## HYDRAULIC DRIVE



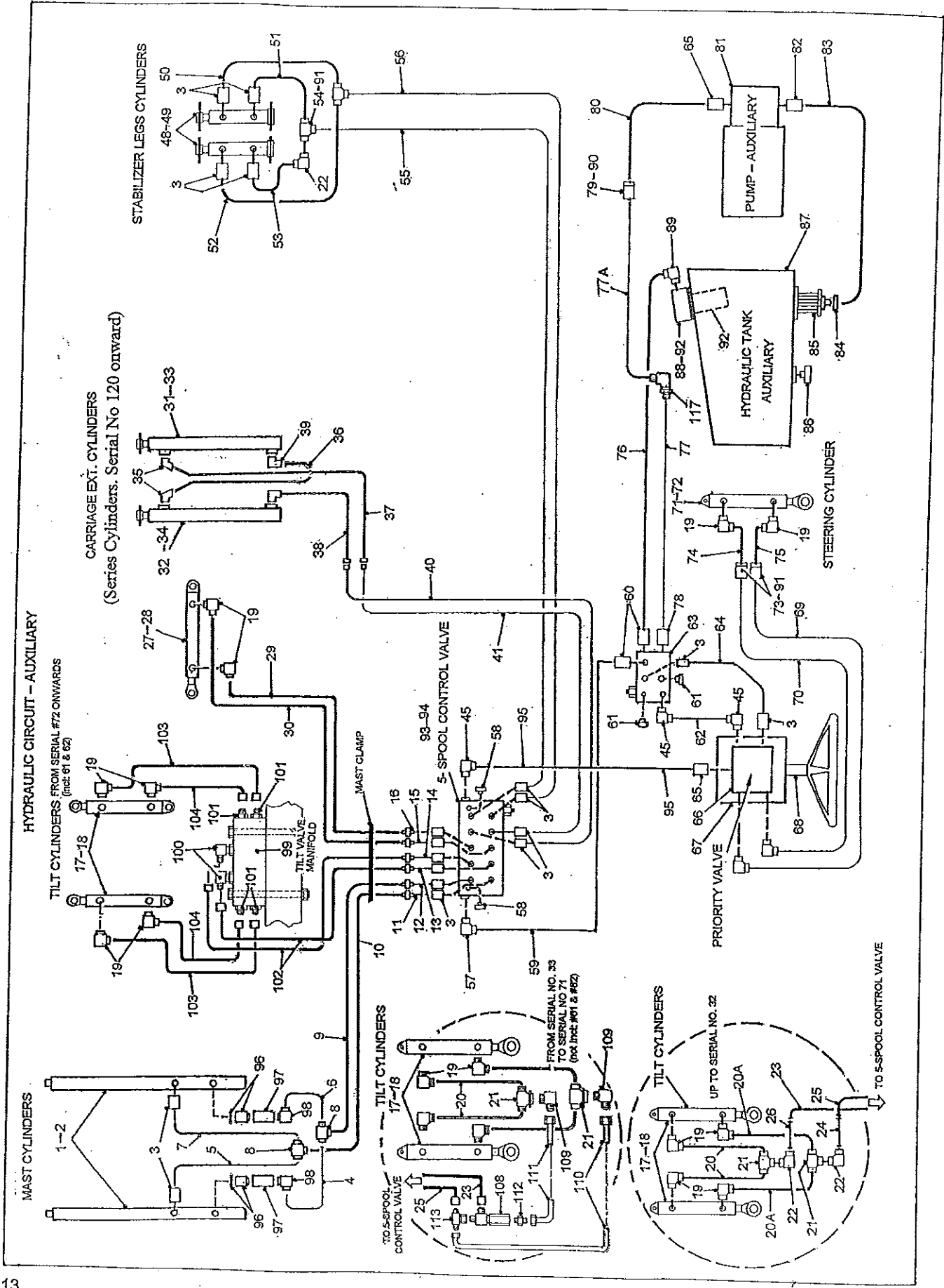
ITEM NO	PART NO	DESCRIPTION	QTY
37	T100594	Hose Assy.	1
38	T100593	Hose Assy	1
39	16-16-520120	Connector No. 16	3
40	T100663	Tube Assy	1
40A	T100664	Tube Assy	
41	12-12-520120	Connector NO.12	8
42	T100627	Hose Assy	2
43	T100576	Hose Assy	1
44	T100577	Hose Assy	1
45	KH30004	Hyd. Drive Motor - Rear	1
46	KH30003	Hyd. Drive Motor - Front (see item 62)	2
47	6-8-0070120	Connector No. 6 to No. 8	3
48A	T100646	Hose RH Motor - Left Port to A3. Fixed Leg	1
	T100633	Hose RH Motor - Left Port to A3 Ret. Leg	1
48B	T100648	Hyd. Hose. RH Motor Rear Port to B3 Fixed Leg	1
	T100631	Hose RH Motor Rear Port to B3 Ret. Leg	1
49A	T100574	Hose Fixed Leg	1
	T100637	Hose Fixed Leg	1
49B	T100575	Hose Fixed Leg	1
	T100638	Hose Retractable Leg	1
50	16-520220	Elbow No. 16 90 deg.	3
51	T100603	Tube Assy	1
52	T100604	Tube Assy	1
53	6-6-070220	Elbow No. 6 "O"Ring 90 deg.	3
54	T100456	"O"Ring Plug No. 12 (special)	1
55	16-520221	Elbow No.6	1
56A	T100645	Hose Assy LH Motor Rear Port to A2 Fixed Leg	1
	T100632	Hose Assy LH Motor Rear Port to A2 Ret. Leg	1
56B	T100647	Hose Assy LH Motor Left Port to B2 Fixed Leg	1
	T100630	Hose Assy LH Motor Left Port to B2 Ret Leg	1
57	T100601	Tube Assy	1
58	T100602	Tube Assy	1
59	T10598	Hose Assy	1
60	T100538	Tube Assy	1
61	TF5716x4	Tee	1
62	KH80005	'O' Ring. Motor wheel cover	2
63	12U-652	No. 12. Bulkhead Fitting	1
64	KH20013	Plunger Kit - Foot Controlr (item 28)	1



ITEM NO	PART NO	DESCRIPTION	QTY
		HYDRAULIC CIRCUIT AUXILIARY	
1	T500005	Mast Cylinder 10 ft Lift 2 1/4 Bore	2
	T500013	Mast Cylinder 10 ft Lift 2 1/2 Bore	2
	T500015	Mast Cylinder 12 ft Lift 2 1/2 Bore	2
2	U19141	Seal Kit - Mast Cylinder 2 1/4 Bore	1
	U17570	Seal Kit - Mast Cylinder 10 and 12 ft Lift 2 1/2 Bore	1
3	6-6-070120	No. 6 Connector	18
4	T100611	Tube Assy	1
5	T100561	Tube Assy	1
6	T100609	Tube Assy	1
7	T100563	Tube Assy	1
8	6-6-6-07401	No. 6 Union T	2
9	T100564	Hose 3/8 Assy	1
10	T100565	Hose 3/8 Assy	1
11	T100543	Tube Assy	1
12	T100544	Tube Assy	1
13	T100545	Tube Assy	1
14	T100546	Tube Assy	1
15	T100547	Tube Assy	1
16	T100548	Tube Assy	1
17	T500016	Tilt Cylinder	2
18	U17587	Seal Kit - Tilt Cyl	1
19	6-6-070220	No. 6 90 deg. Elbow - 'O' Ring	13
20	T100572	Hose Assy	2
20A	T100570	Hose Assy	1
21	6-6-6-070959	No. 6 Branch T - Bulkhead	2
22	6-6-070221	No. 6 90 deg Swivel Elbow	2
23	T100569	Hose Assy	1
24	T100537	Tube Assy	1
25	T100568	Hose Assy	1
26	T100536	Tube Assy	1
27	T500003	Side Shift Cylinder	1
28	U17587	Seal Kit - Side Shift Cyl.	1
29	T100567	Hose Assy	1
30	T100566	Hose Assy	1
31	T500023	Carriage Cylinder RH (2.29 in. Bore) From serial no. 120	1
32	T500024	Carriage Cylinder LH. (2.50 in. Bore) From Serial No. 120	1
33	U22725	Seal Kit - Carriage Cyl. (2.29 in. Bore)	1
34	U22715	Seal Kit - Carriage Cyl. (2.50 in. Bore)	1
35	6-070320	No. 10 Elbow 45 deg	2
36	T100674	Hose Assy	1
37	T100673	Hose Assy	1
38	T100672	Hose Assy	1
39	6-070220	No. 8 Tube Nut	1

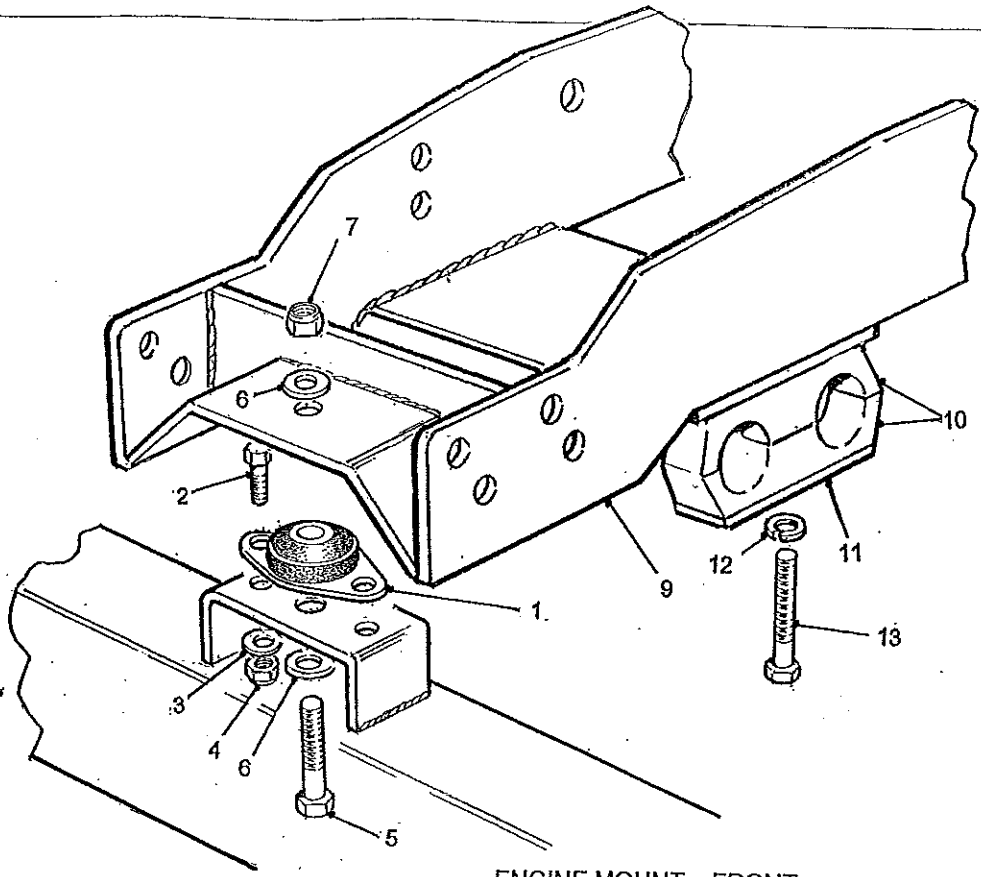


ITEM NO	PART NO	DESCRIPTION	QTY
		HYDRAULIC CIRCUIT AUXILIARY	
40	T100666	Tube Assy	1
41	T100668	Tube Assy	1
41A		NOTE  Item numbers 41A to 47 not used on units Ser. No. 120 and onward	
42			
43			
43A			
44			
45			
46			
46A			
47			
48	T500001		Stabilizer Cylinder
49	U17570	Seal Kit Stabilizer Cyl.	1
50	T100581	Hose Assy - Fixed Leg	1
	T100618	Hose Assy - Retractable Leg	1
51	T100582	Hose Assy - Fixed Leg	1
	T100619	Hose Assy - Retractable Leg	1
52	T100579	Hose Assy - Fixed Leg	1
	T100616	Hose Assy - Retractable Leg	1
53	T100580	Hose Assy - Fixed Leg	1
	T100617	Hose Assy - Retractable Leg	1
54	6-6-6-070958	No. 6 Bulkhead Run Tee	2
55	T100552	Tube Assy	1
56	T100551	Tube Assy	1
57	10-8-070220	No. 10 Tube to No. 8 Tube Connection	1
58	6-090109A	No. 6 'O' Ring Plug	2
59	T100557	Tube Assy	1
60	10-10-070120	No. 10 connector	2
61	4-090109A	No. 4 'O' ring Plug	2
62	T100508	Tube Assy	1
63	KH20010	Relief Manifold	1
63A	KH70004	Seal Kit - Relief Manifold	1
64	T100510	Tube Assy	1
65	8-10-070120	No. 8 Tube to No. 10 Connector	2
66	KH20001	Priority Valve	1
66A	KH70005	Seal kit- Steering Unit to Priority Valve	1
67	KH20002	Steering Unit	1
68	KM20003	Steering Column	1
69	T500513	Tube Assy	1
70	T500514	Tube Assy	1
71	T500011	Steering Cylinder	1
72	U17587	Seal Kit - Steering Cylinder	1
73	6-6-070601	No. 6 Bulkhead Union	2
74	T100515	Hose Assy Steering RH	1
75	T100516	Hose Assy Steering LH	1

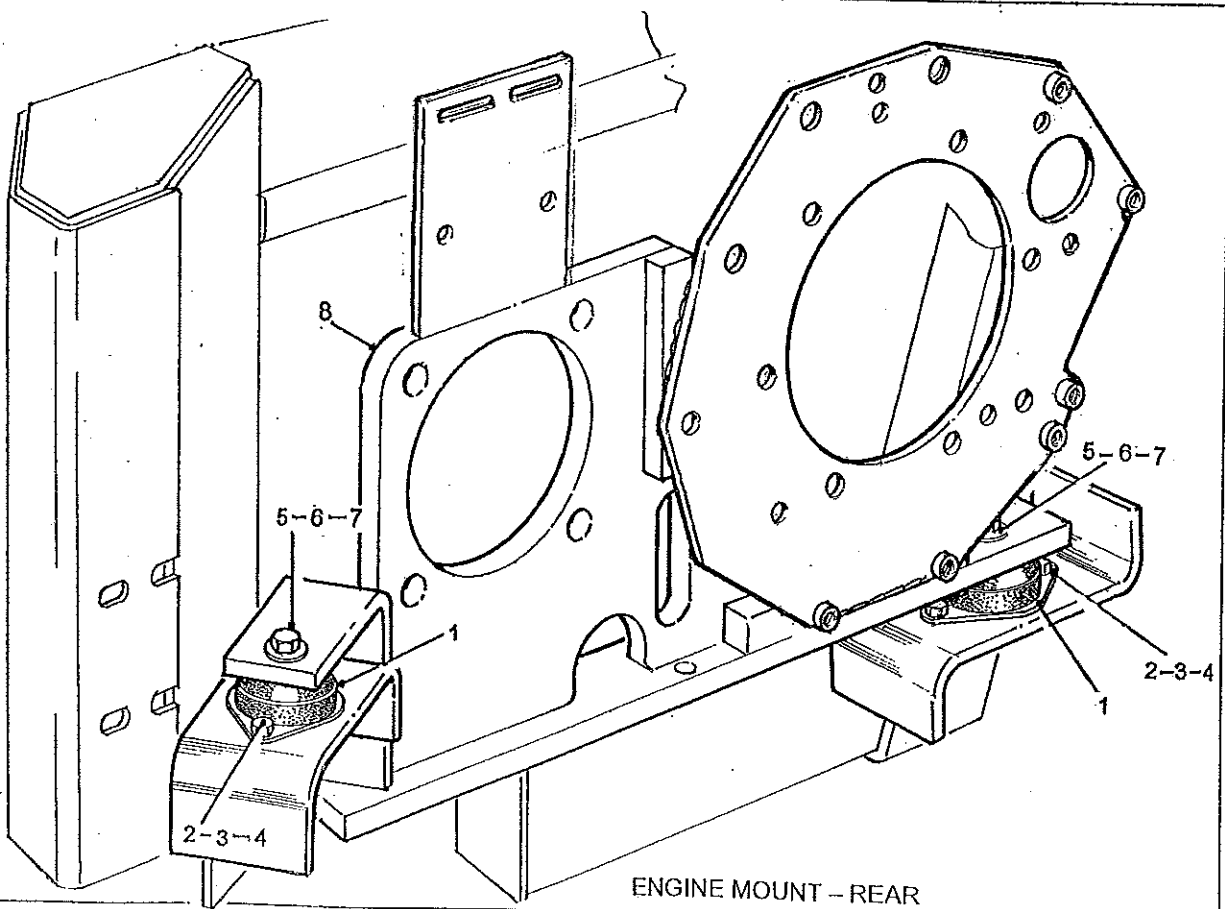




ITEM NO	PART NO	DESCRIPTION	QTY
		HYDRAULIC CIRCUIT - AUXILIARY	
76	T100558	Hose Assy	1
77	T100540	Tube Assy Aux. Return (From Unit Serial No. 120)	1
77A	T100541	Tube Assy Aux. Return (From Unit Serial No. 120)	1
78	8-8-070120	No. 8 Connector	1
79	8-8-070601	No. 8 Bulkhead Union	1
80	T100597	Hose Assy - Aux. Pressure	1
81	KH30005	Auxiliary Pump SPNZ/17SSC06 (From Unit 120)	1
81A	KH80004	Shaft Seal - Auxiliary Pump	1
81B	KH80001	'O' Ring, Auxiliary Pump Mounting	1
82	16-12-070120	No. 16 to No. 12 Connector	1
83	T100595	Hose Assy - Suction	1
84	KM60005	Hose Clamp	1
85	KH40012	In-Tank Strainer	1
86	12-090109A	No 12 'O' Ring Plug	2
87	T300020	Hydraulic Tank Auxiliary	1
88	KH40014	Tank Top Filter/Breather Assy	1
89	10-12-070220	No 10 Tube to No. 12 90 deg Elbow Connector	1
90	8-070110	Bulkhead Nut No. 8	3
91	6-070118	Bulkhead Nut No. 6	2
92	KH40010	Filter Cartridge & Air Filter (for item 88)	1
93	KH20032	Control Valve - 5 Spool (From Unit 120)	1
	KH20033	Control Valve - 6 Spool	1
94	KH70016	Control Valve Seal Kit (5 & 6 Spool)	1
95	T100542	Tube Assy.	1
96	T100644	Fitting c/w "O"Ring	2
97	KH20021	Velocity Fuse 28000-103-15	2
98	6-6-070202	Fitting 90 deg. Elbow. 3/8 tube to 3/8 M/Pipe	2
99	KH20035	Tilt Valve Manifold (From Unit Serial No. 120)	1
100	6-6-070120	Fittings	2
101	6-6-070120	Fittings	4
102	T100639	Hose Assy	2
103	T100625	Hose Assy	2
104	T100626	Hose Assy	2
105	F01044	Cap Screw 1/4 x 4 1/2	2
106	F320400	Flatwasher 1/4	2
107	F210400	Nyloc Nut 1/4	2
108	MH20003	From Serial No. 32 to Serial No. 71 (less 61 & 62) Pilot operated check valve	1
109	6-6-07221	Fitting 90 deg. Swivel Elbow	2
110	T100536	Tube Assy	1
111	T100537	Tube Assy	1
112	T100643	Fitting Straight (6-6-070120 modified)	1
113	6-6-6-070433	Fitting 3/8 Swivel Tee	1
114		NOTE	
115		Item Numbers 114/115/116 not used on	
116		units Serial No. 120 and onward.	
117	8-070701	No. 8 Bulkhead Elbow 90 deg. (From Unit Serial No. 120)	1

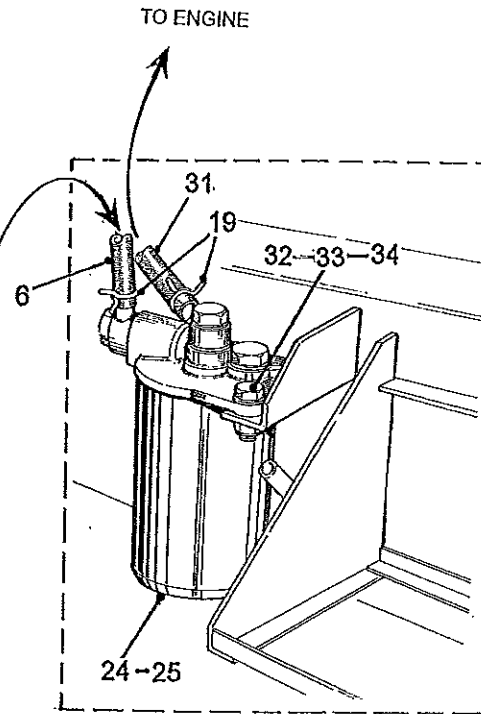
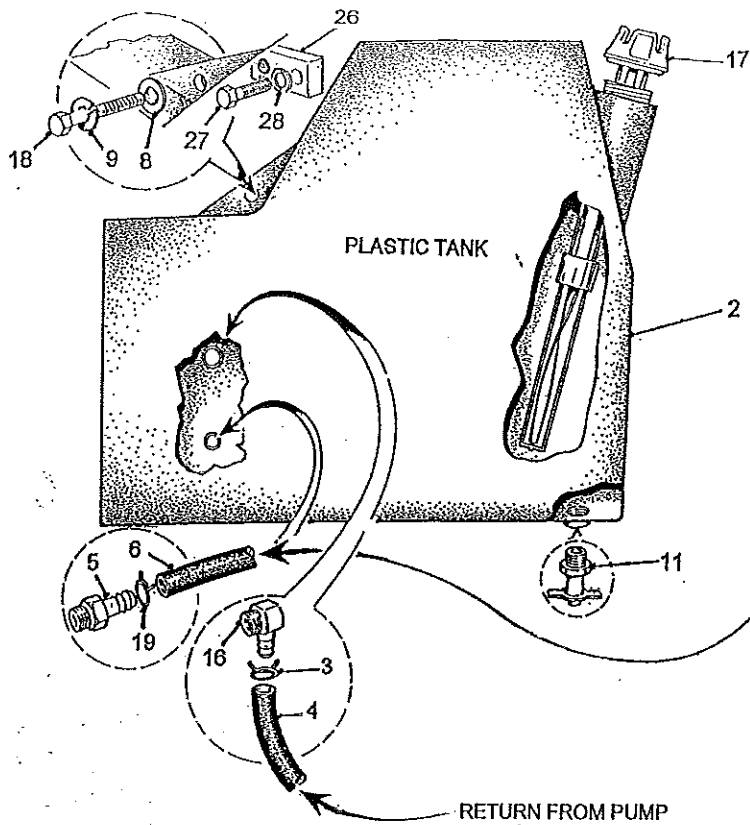


ENGINE MOUNT - FRONT

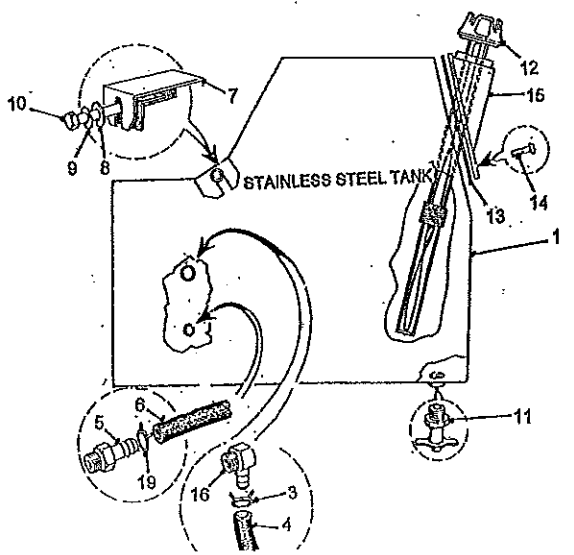
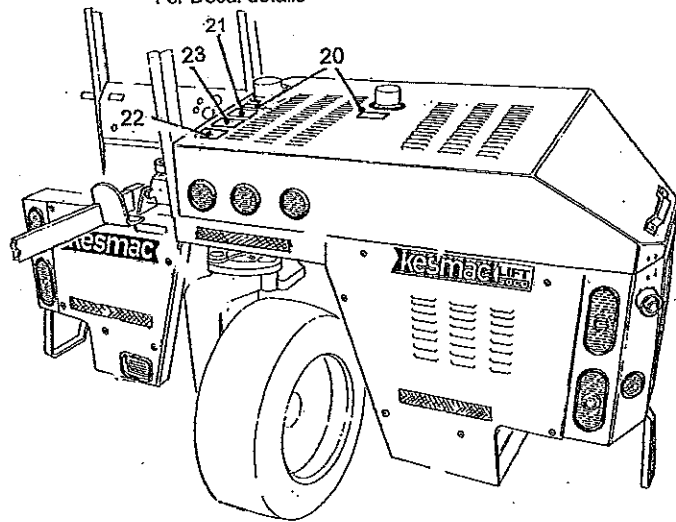


ENGINE MOUNT - REAR

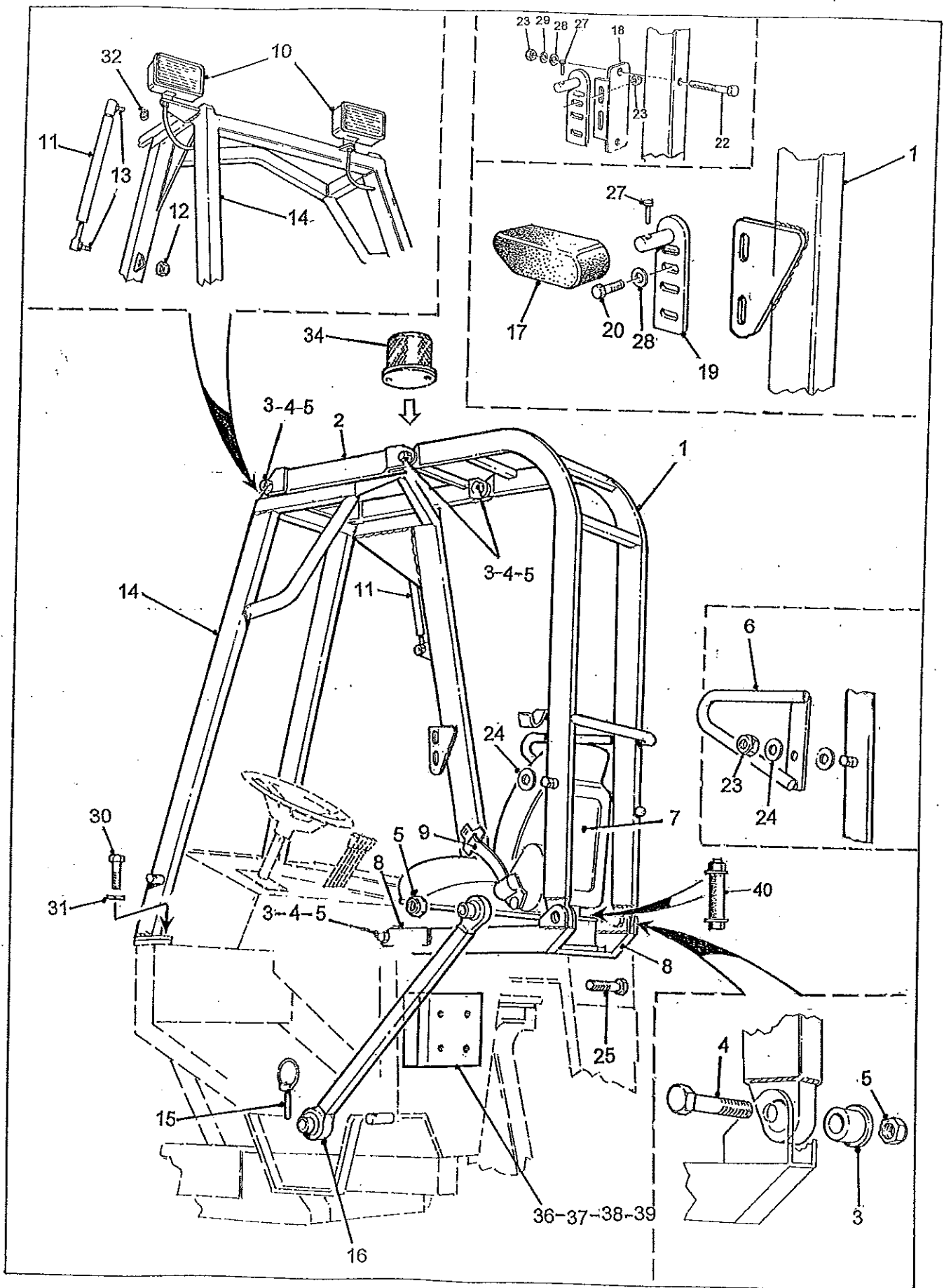
ITEM NO	PART NO	DESCRIPTION	QTY
ENGINE MOUNTS. FRONT/REAR			
1	KM71002	Engine Mount (Rubber)	3
2	F010510	Bolt	6
3	F320500	Flatwasher	6
4	F210500	Locknut	6
5	F010620	Bolt	3
6	F320600	Flatwasher	6
7	F210600	Locknut	3
8	T300133	Engine & Pump Mounting Weldt.	1
9	T300123	Engine & Radiator Mounting Weldt.	1
10	KH65012	Clamp Body	2
11	KH63002	Clamp Plate	2
12	F310500	Lockwasher	2
13	F010524	Bolt	2



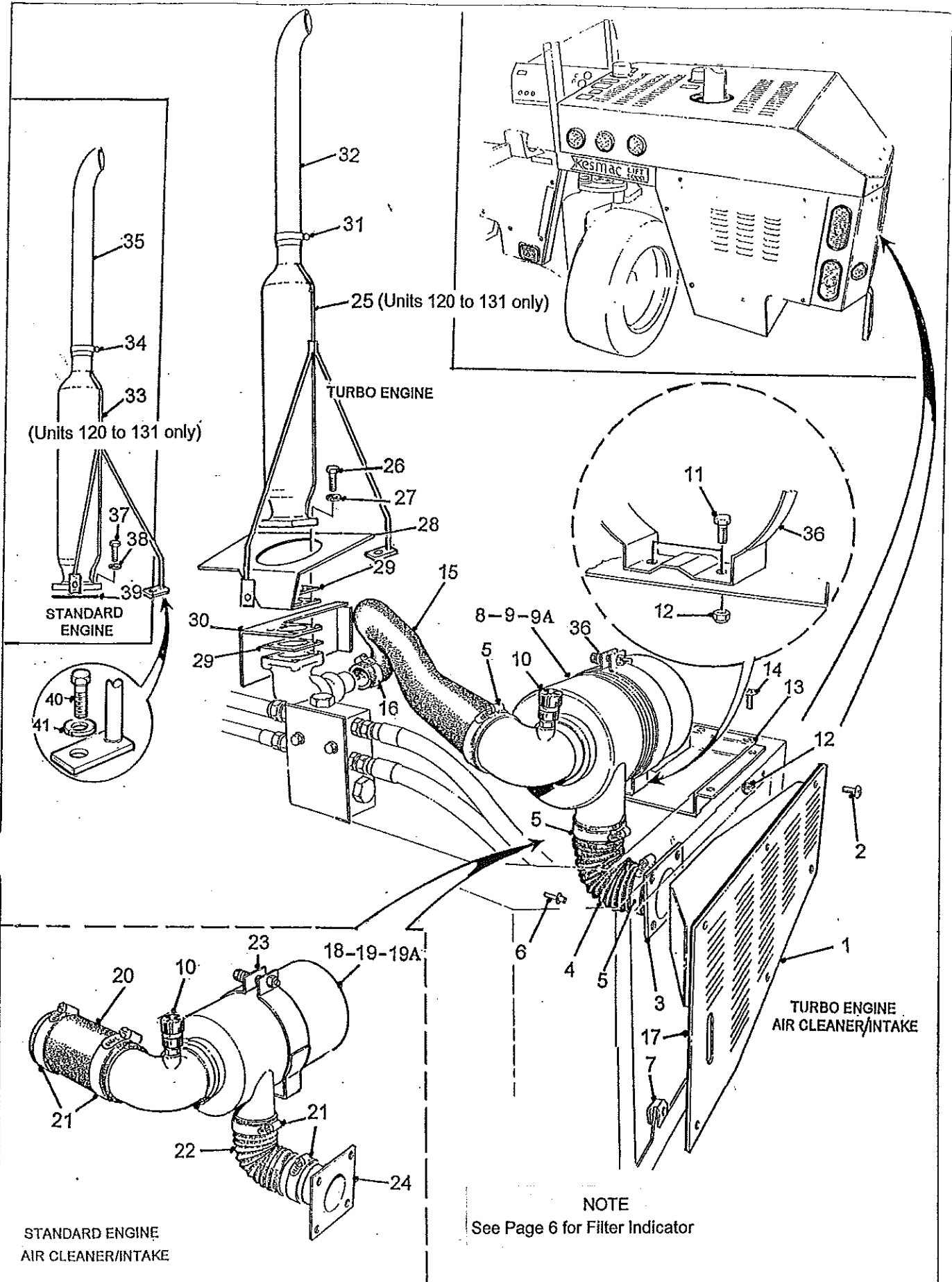
See Page 55 in Parts Manual  
For Decal details



ITEM NO	PART NO	DESCRIPTION	QTY
		FUEL TANK & FITTINGS .	
1	T300018	Fuel Tank - Stainless Steel. ( see footnote)	1
2	T100431	Fuel Tank -,Plastic	1
3	KU04003	Hose Clamp	1
4	T100651	Hose - Return	1
5	KH90001	Fittings - Straight Barb	1
6	T100652	Hose - Suction	1
7	T100359	Bracket - Tank Hold Down (Stainless Tank)	1
8	F320600	Flat Washer	2
9	F310600	Lock Washer	2
10	F010660	Bolt	1
11	KH50001	Drain Cock	1
12	KM10024	Cap - Filler c/w Gauge (stainless Tank)	1
13	T100731	Gasket	1
14	F180410	Bolt - 1/4 Button Hd	6
15	K40011	Filler Neck - Stainless Tank	1
16	KH90002	Fitting 90 deg. Elbow	1
17	KM10025	Cap - Filler - c/w Gauge (plastic Tank)	1
18	F010634	Bolt - Tank Securing (Plastic Tank)	1
19	KU04005	Hose Clamp	1
20	D001-028	Decal - "Before Dismounting..."	1
21	D001-046	Decal - "Capaciaty Load Chart..."	1
22	D001-015	Decal - "Peligro..."	1
23	D001-037	Decal - "To Prevent Serious Injury"	1
24	KK10002	Fuel Filter (70000-43080) Up to Unit #15 (Not Illustrated) See Page 28	
25	KK10003	Fuel Filter (16631-43560) From Unit #16 (Up to unit 119. Mounted on Engine from unit 120. Mounted as shown)	
26	T100360	Spacer Block	
27		Bolt	1
28		Lockwasher	
29	D001-023	Decal - "Diesel Fuel"	1
30	D001-022	Decal - "Hydraulic Oil"	
		Note	
		When replacing stainless steel Fuel tank with Plastic tank items 17, 26, 27, 28, 18 & 9 must be orderd.	
		Also Decals 21, 22 & 23 must be ordered and placed on the hood/tank cover as shown	

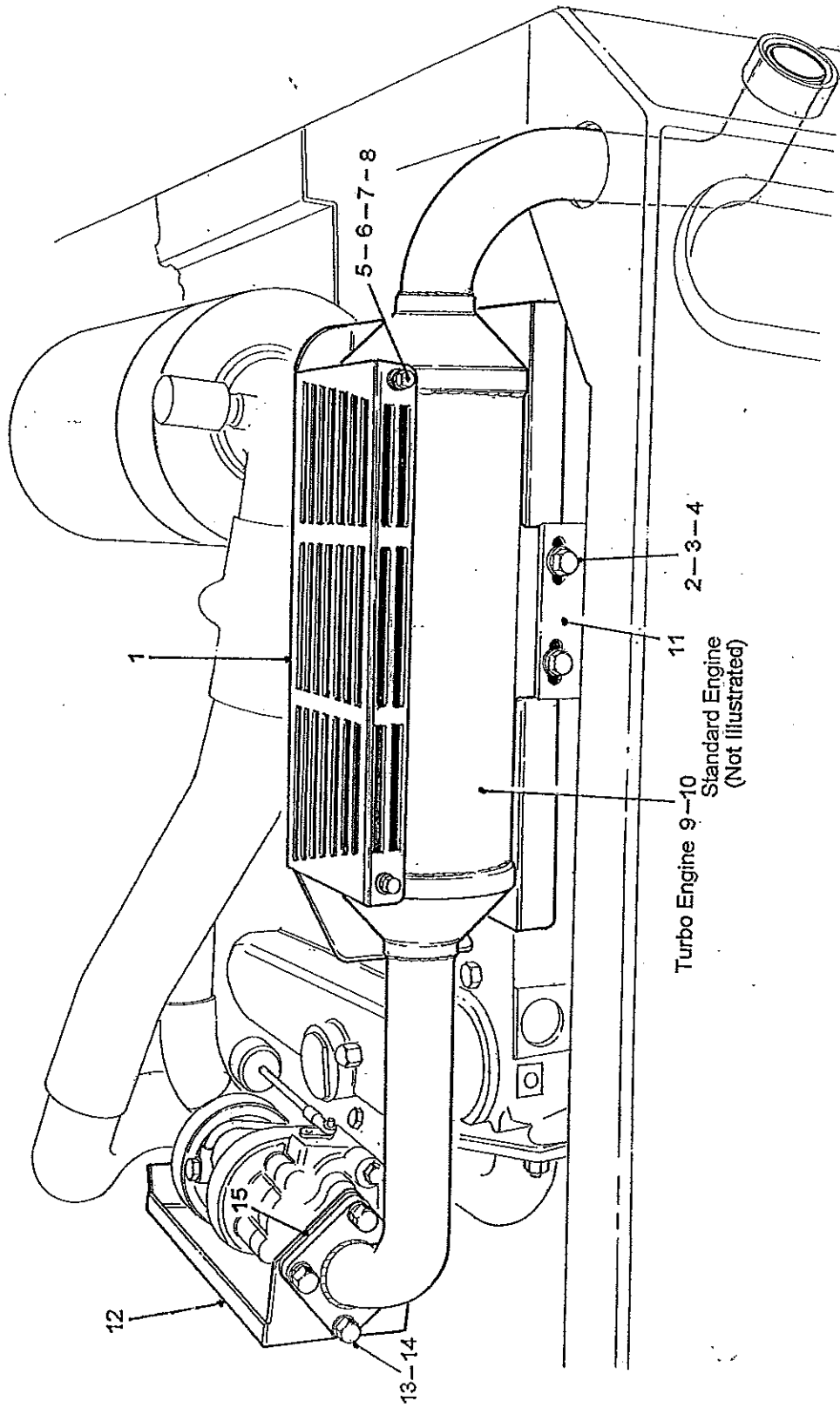


ITEM NO	PART NO	DESCRIPTION	QTY
		F.O.P.S. ASSEMBLY	
1	T300024	Frame - Rear	1
2	T300022	Frame -Top	1
3	KB52418	Bushing	8
4	F070224	Bolt 3/4 x 2 1/2 GR.8. UNF	7
5	F231200	Nut Nyloc 3/4 UNF	8
6	T300039	Side Restraint	1
7	KM40001	Seat Assy C/W shock Absorber	1
8	T300023	Frame - Seat	1
9	KM40002	Retractable Seat Belt	1
10	KE90005	Halogen Lamp	1
11	KM00002	Gas Strut	1
12	F210500	Nut Nyloc 5/16	1
13	KM99013	Ball Stud	2
14	T300021	Frame - Front	1
15	KX30020	Lynch Pin	1
16	T300026	Support Strut (F.O.P.S. Assembly)	1
17	KM00003	Arm Rest	1
18	T100493	Support Bracket (bolt on)	1
19	T300094	Pivot Plate - Arm Rest	1
20	F010606	Cap Screw 3/8 UNC x 3/4	2
21	F210600	Nut - Nyloc 3/8	1
22	F010636	Bolt 3/8 X 3 3/4	4
23	F210800	Nut, Nyloc 1/2 in	1
24	F320800	Flat Washer 1/2 in	2
25	F070240	Bolt 3/8 x 4 GR.8 UNF	4
26	D001-013	Decal - Kesmac	1
27	F880002	Pin	1
28	F320600	Flat Washer 1/2 in	1
29	D001-021	Decal "Do not jump"	1
30	F010812	Bolt 1/2 x 1 1/4 (F.O.P.S. frame to main frame)	4
31	F310800	Lockwasher 1/2 in	4
32	D001-047	Decal "Danger-Crushing hazard..."	1
33	KE90004	Lamp. Front Flood	1
34	KE10066	Strobe Light (accessory)	1
35		Lockwasher	1
36	KM99028	Container for manuals	1
37	F590408	1/4 unc Stainless Button Head Screw	4
38	F350400	Flatwasher. Stainless	4
39	F210400	Locknut	4
40	T500044	Steat stop assembly	1





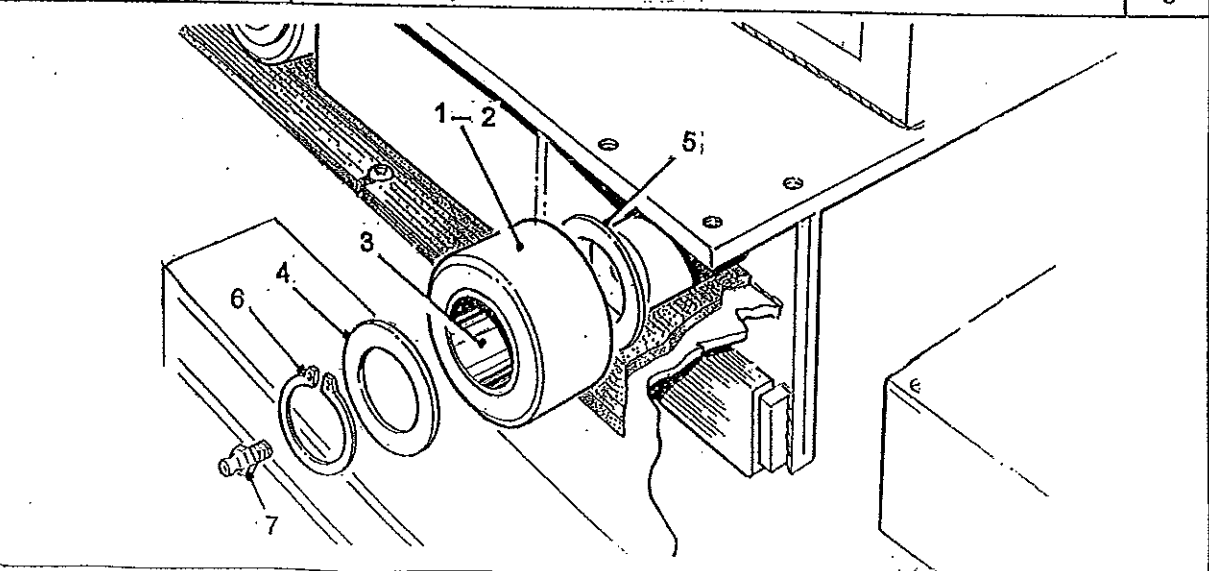
ITEM NO	PART NO	DESCRIPTION	QTY
		DONALDSON AIR CLEANER/INTAKE - ONE PIECE HOOD TURBO AND STANDARD ENGINE	
1	T300097	Side Intake Panel	1
2	F540406	Screw 1/4x 3/4in s/s	6
3	T300099	Intake Flange (Turbo Engine)	1
4	T100810	Hose Intake to Air Cleaner	1
5	KU03021	Hose Clamp (P143422)	3
6		Rivet 1/8	4
7	F240400	Clip Nut 1/4	2
8	KK99019	Air Cleaner Assy (Turbo Engine)	1
9	KK99020	Inner Element - Air cleaner	1
9A	KK99021	Outer Element - Air Cleaner	1
10	KK99023	Indicator - Air Cleaner	1
11	F010506	Bolt 5/16 x 3/4	2
12	F210500	Lock Nut 5/16	2
13	T100743	Mounting Plate - Air Cleaner	1
14	F540406	Screw 1/4 - 3/4in s/s	4
15	T100729	Hose - Air Cleaner to Turbo See Page 27	1
16	KU03022	Hose Clamp 1 - 2 in (Trident)	1
17	Q8351	Rubber Strip	A/R
18	KK99014	Air Cleaner Assy. - Standard Engine	1
19	KK99015	Inner Element - Air Cleaner	1
19A	KK99016	Outer Element - Air Cleaner	1
20	T100730	Hose - Air Cleaner To Manifold	1
21	KU03020	Hose Clamp - 1.5 - 2.5 in (Trident)	4
22	T100811	Hose - Air Cleaner to Intake Flange	1
23	KK99017	Mounting Band Assy. Air Cleaner Std. Engine	1
24	T300098	Intake Flange Standard Engine	1
25	T300154	Muffler - Turbo Engine (Units 120 to 131 only)	1
26		Bolt - 8mm - 30mm	4
27		Lockwasher 8mm	4
28	T100802	Filler Plate	1
29	KK10016	Gasket - Exhaust - Turbo Engine	2
30	T100494	Heat Shield - Turbo Engine	1
31	KK10015	Exhaust Clamp Turbo Engine	1
32	KK10012	Tail Pipe - Turbo Engine	1
33	T300153	Muffler - Standard Engine (Units 120 to 131 only)	1
34	KK10014	Exhaust Clamp - Standard Engine	1
35	KK10011	Tail Pipe - Standard Engine	1
36	KK99022	Mounting Band Assy - Air Cleaner - Turbo Engine	1
37		Bolt - 8mm - 19mm	4
38		Lockwasher - 8mm	4
39	KK10016	Exhaust Gasket - Standard Engine	1
40		Bolt. 8mm x 25mm	2
41		Lockwasher 8mm	2

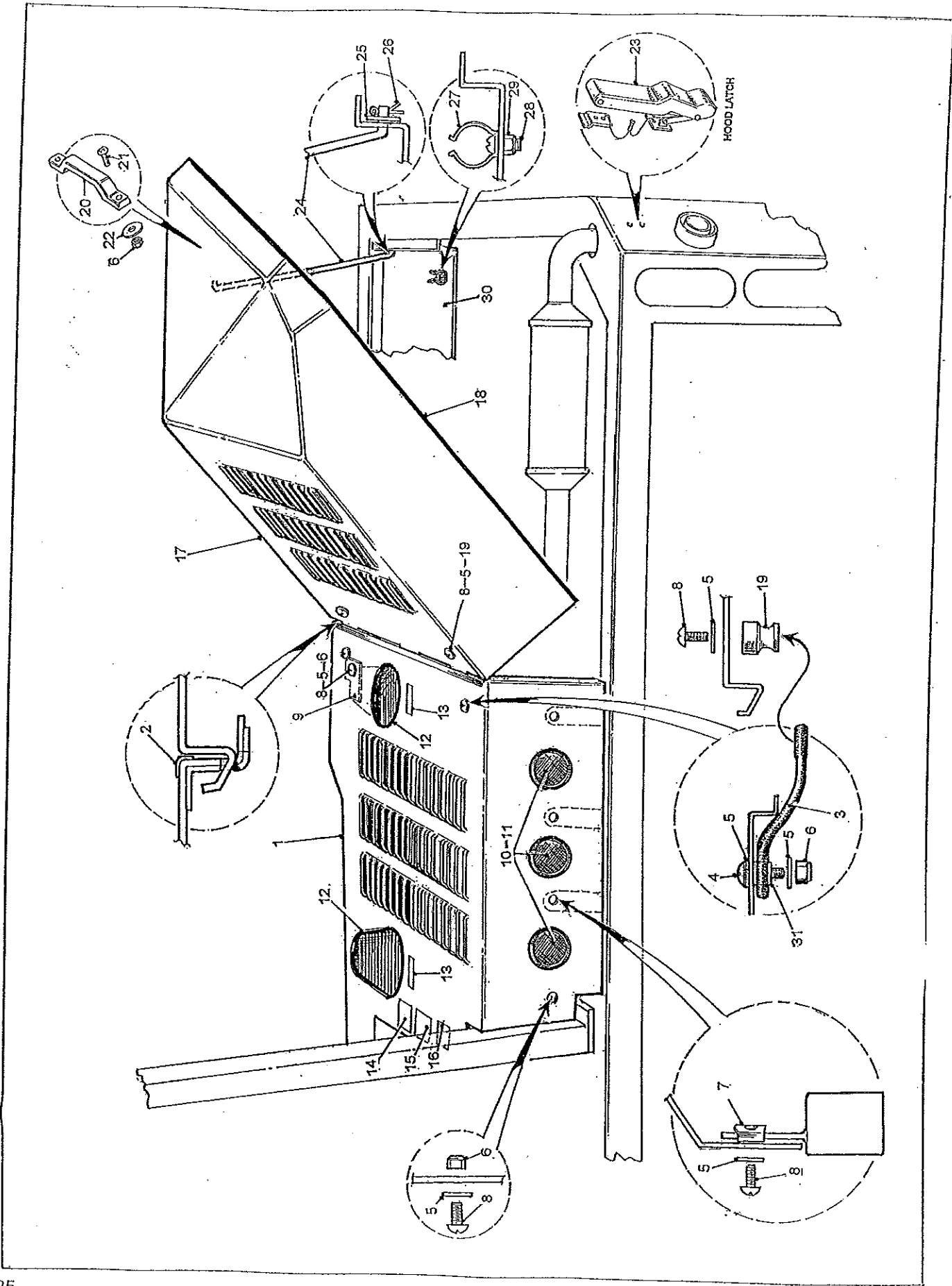


Turbo Engine 9-10  
Standard Engine  
(Not Illustrated)

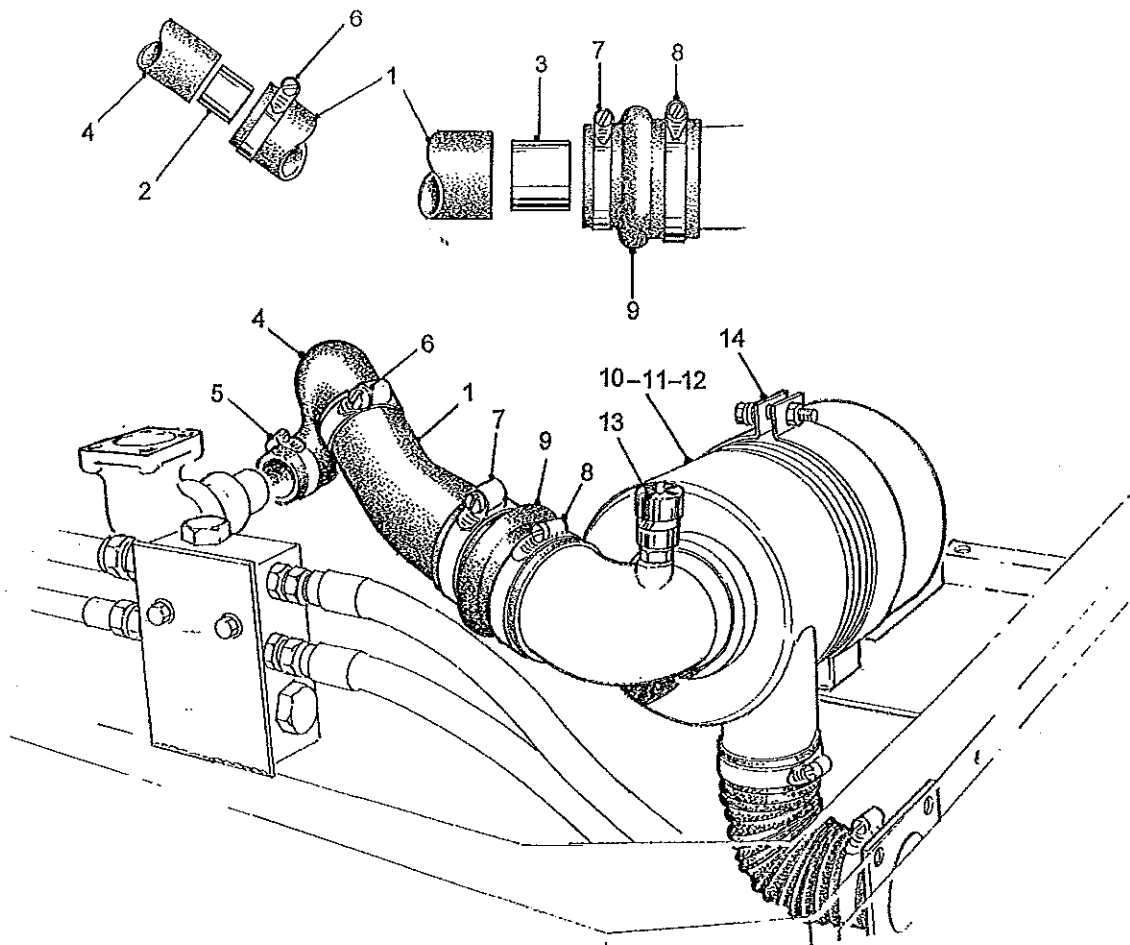
ITEM NO	PART NO	DESCRIPTION	QTY
HORIZONTAL MUFFLER (Std & Turbo)			
1	T100890	Muffler Shield	1
2	F010510	Bolt	2
3	F320500	Flatwasher	2
4	F210500	Locknut	2
5	F010406	Bolt	2
6	F320400	Flatwasher	2
7	F310400	Lockwasher	2
8	F240400	Clipnut	2
9	KK20002	Muffler (Turbo)	1
10	KK20001	Muffler (Std)	1
11	T300133	Engine/Pump Mount	Ref
12	T100889	Heat Shield (Turbo)	1
13	G010830	Bolt	4
14	G310800	Lockwasher	4
15	KK10016	Gasket	2

ITEM NO	PART NO	DESCRIPTION	QTY
CARRIAGE ROLLER (With Polymer Bush)			
1	T500007	Carriage Roller Assembly	8
2	T100033	Carriage Roller Assembly	8
3	KB12831	Bush (Polymer)	8
4	KB12841	Thrust Washer (Outer 0.090 in)	4
5	KB12839	Thrust Washer (Inner 0.030 in)	4
6	KX10175	Retaining Ring	8
7	KX90020	Grease Fitting	8

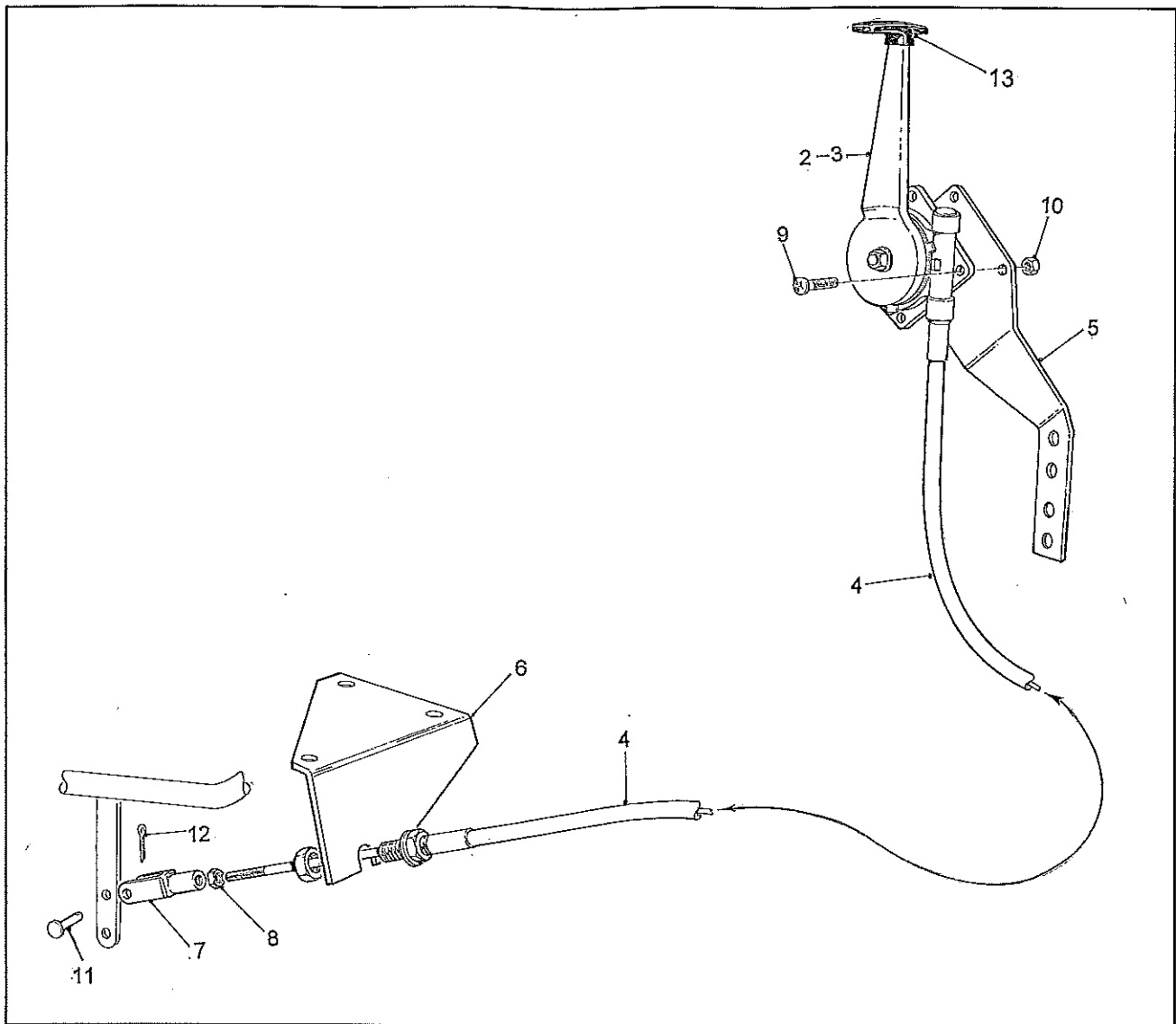




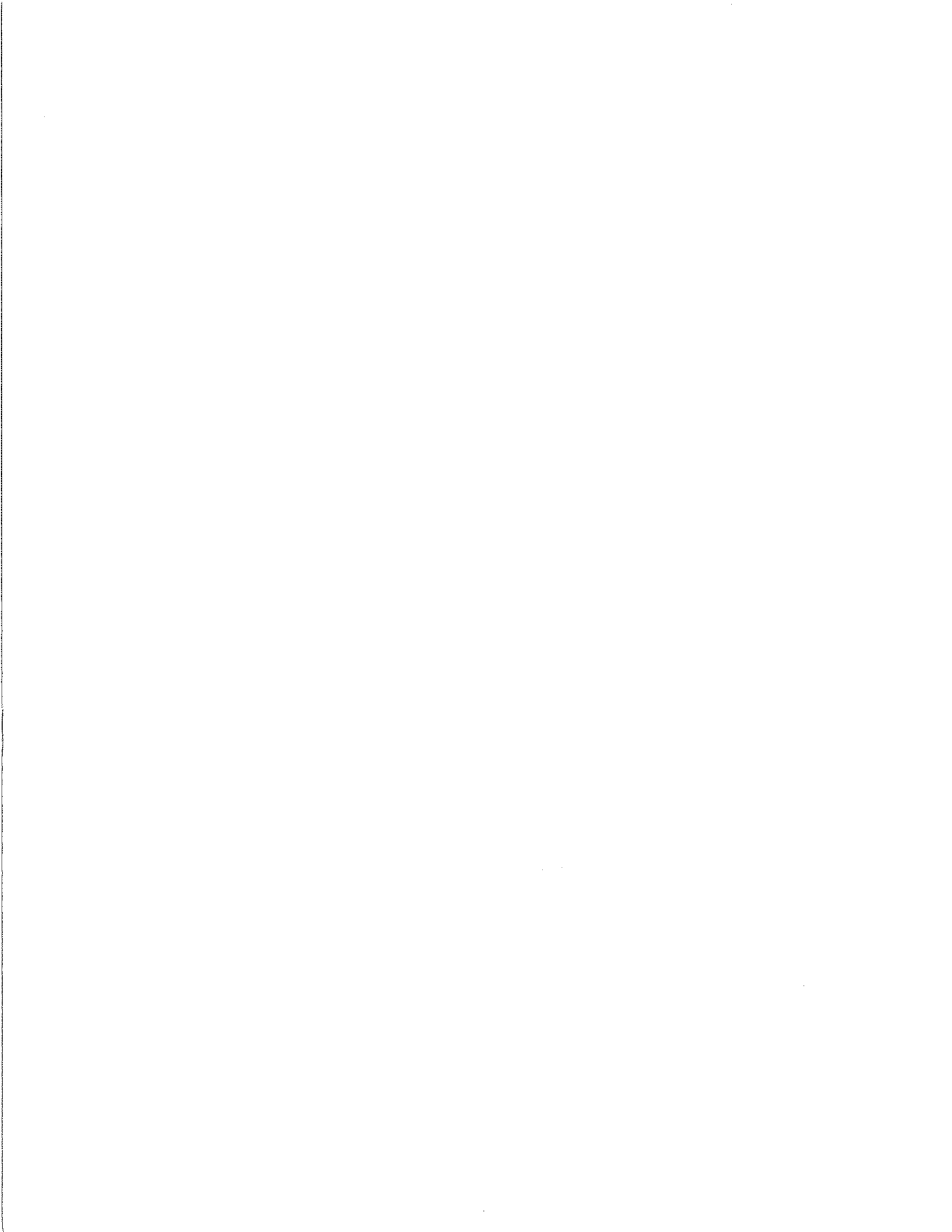
ITEM NO	PART NO	DESCRIPTION	QTY
TWO PIECE ENGINE & TANK COVER			
1	T100158	Tank Cover	1
2	Q8307	Polyethylene Tape (order by the foot)	A/R
3	KM71003	Hold Down Strap	2
4	F580410	Screw 1/4 UNC x 1in. Pan Head S.S.	2
5	F350400	Flatwasher 1/4 S.S.	9
6	F210400	Locknut 1/4	6
7	F240400	Clipnut 1/4	3
8	F580406	Screw 1/4 x 3/4 In. Pan Head S.S.	6
9	T100907	Hood Support	1
10	KE10055	Lamp. Red. Round	3
11	KE10008	Grommet	3
12	Q8350	Edging (Order by the foot)	A/R
13	D001-022	Decal - Hydraulic Oil	2
14	D001-046	Decal - Capacity Load Chart	1
15	D001-037	Decal - To Prevent Serious Injury.....	1
16	D001-S15	Decal - Peligro	1
17	T300157	Engine cover	1
18	Q8351	Rubber Strip (order by the foot)	A/R
19	T100929	Hold Down Rod	2
20	KM99011	Lift Handle	1
21	F540406	Screw 1/4 x 3/4 S.S.	2
22	F340408	Fender Washer 1/4	2
23	KM99010	Latch	2
24	T300166	Prop Rod	1
25	F320500	Flatwasher 5/16	1
26	F910610	Cotter Pin	1
27	F990125	Spring Clip	1
28	F540210	Screw 10-24x 1 in.	1
29	F210200	Locknut 10-24	1
30	T100743	Mounting Plate - Air Cleaner	1
31	T100732	Tube Spacer	Ref 2



ITEM NO	PART NO	DESCRIPTION	QTY
		<b>DONALDSON AIR CLEANER INTAKE TURBO ENGINE</b>	
1	T100279	Hose - Centre Section	1
2	T100883	Insert Tube (Turbo End)	1
3	C100044	Insert Tube (Air Cleaner End)	1
4	KK10024	Hose (Turbo End)	1
5	KU03022	Clamp - Hose	1
6	KU03024	Clamp - Hose	1
7	KU03023	Clamp - Hose	1
8	KU03021	Clamp - Hose	1
9	KM99029	Reducer Hose	1
10	KK99019	Air Cleaner Assy (Turbo)	1
11	KK99020	Inner Element - Air Cleaner	1
12	KK99021	Outer Element - Air Cleaner	1
13	KK99023	Indicator - Air Cleaner	1
14	KK99022	Mounting Band	1



1	T500072	Hand Throttle Kit	Ref
2	KD10022	Hand Throttle Assy	1
3	KD10020	Lever - Hand Throttle	1
4	KD10021	Cable - Hand Throttle	1
5	T100902	Mounting Plate - Throttle Lever	1
6	T100903	Bracket Throttle Cable	1
7	KM99002	Yoke - Rod End	1
8	F220250	Jam Nut	1
9	F540206	Screws #10 x 3/4 Pan Hd	4
10	F210200	Locknut #10 - 24	4
11	KX03000	Clevis Pin	1
12	F910610	Cotter Pin	1
13	KD10046	Knob	1
NOTE			
Existing hardware is used to attach T100902 to Arm Rest and T100903 to underside of cab floor.			



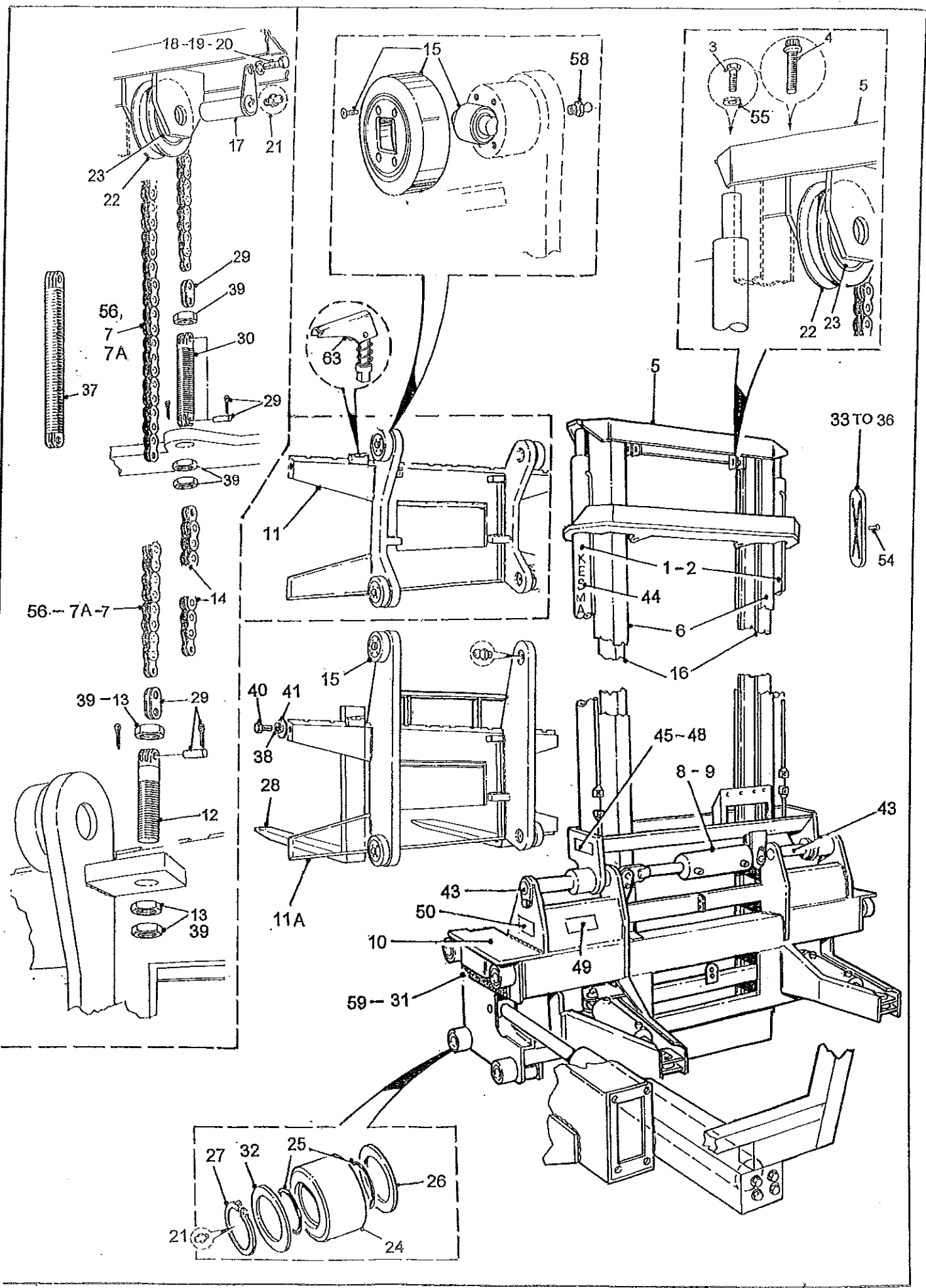


KESMAC LIFTS  
4500 – 5000

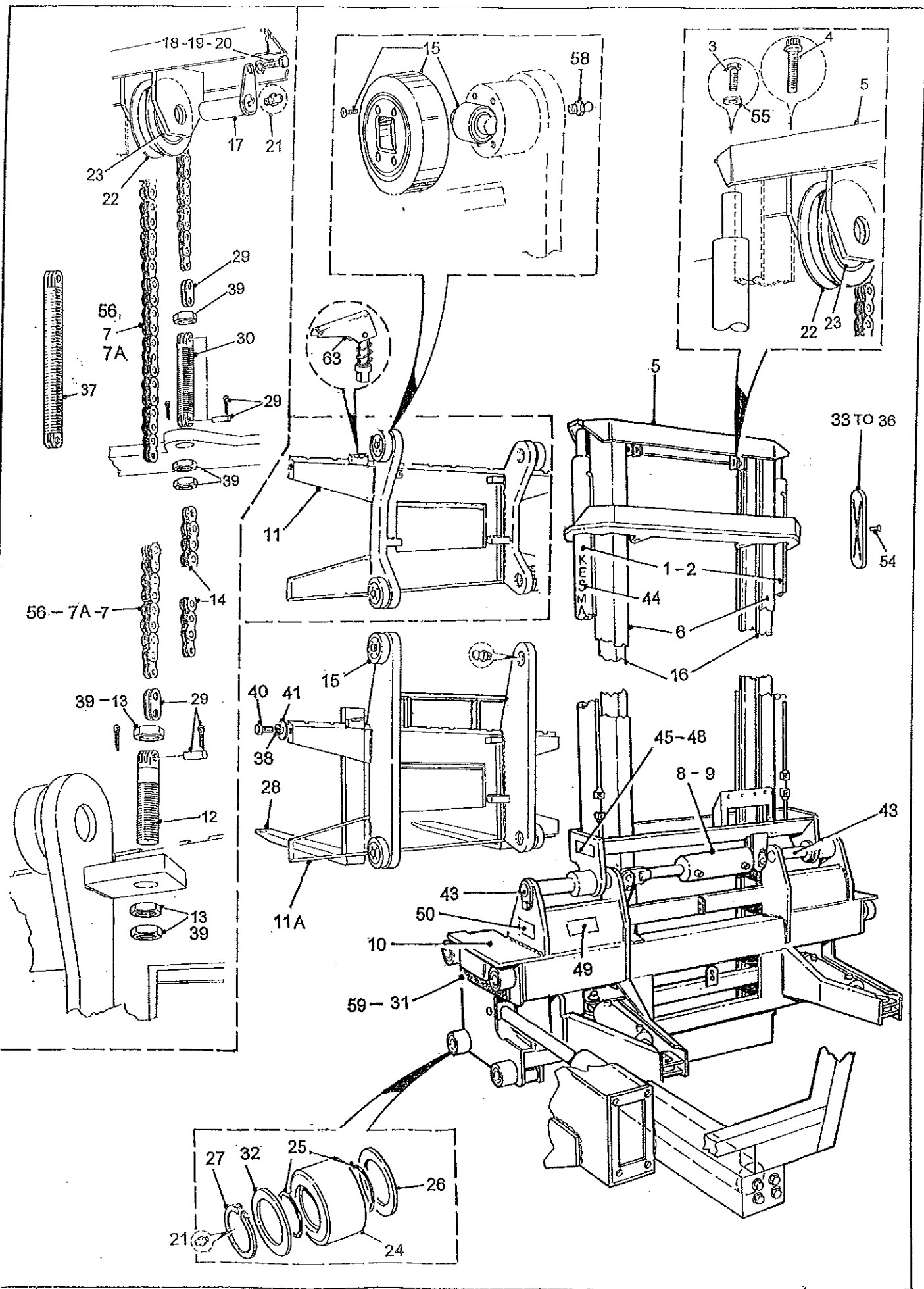
PARTS LIST

INDEX

	Page
Mast Assembly	1
Mast Carriage Assembly.	5
Stabilizer Assembly. Wheel/Tire Assy. (Front)	9
Retractable Leg Lock (Option)	11
Rear Steering Assembly. Wheel/Tire Assy.	15
F.O.P.S Assembly	17
Throttle Control	19
Forward/Reverse Control	19
Steering Column, Wheel & Steering Unit	21
Two Piece Hood/Cover Battery/Lamps	23
One Piece Hood/Cover Panels	25
Dash Panel. Controls/Switches	27
Engine Mount. Pump Drive/Mounting. Oil Filter	29
Engine Cooling Radiator/Mounting. Oil Cooler. Fan Belt	31
Kubota Air Cleaner/Intake (Non Turbo Engine)	33
Donaldson Air Cleaner/Intake (Turbo & Non Turbo)	35
Fuel Tank/Fittings. Fuel Filter	37
Hydraulic Tanks – Auxiliary Drive	39
Retractable Leg. Hydraulic Diagram – Leg Lock & In-Line Relief Valve	41
Hydraulic Diagram – Auxiliary System	43
Hydraulic Diagram – Drive System	49
Traction Valve./Return Manifold	53
Decals	55
Electrical System	57
Hook-Up Kits	60

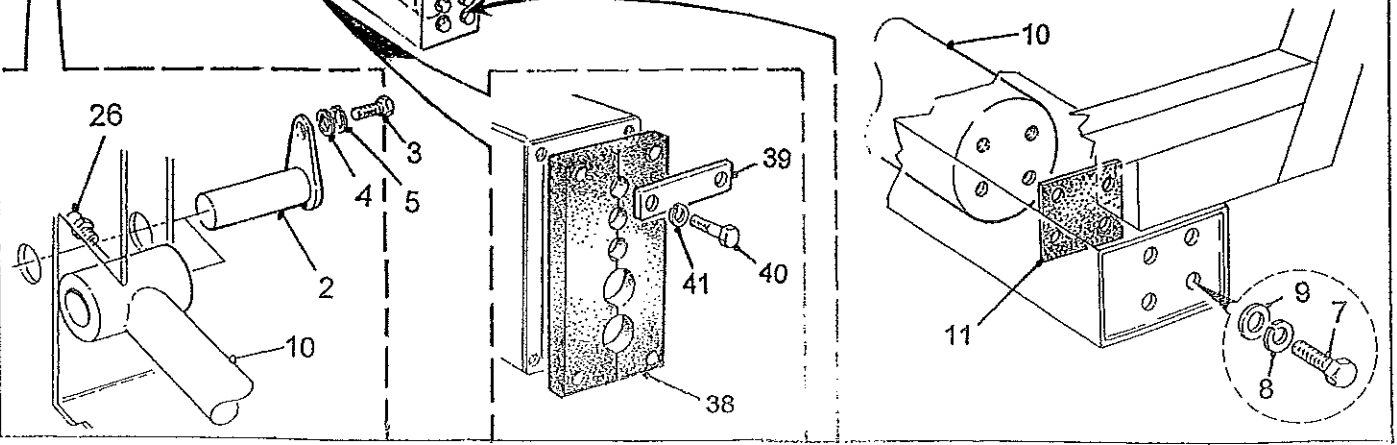
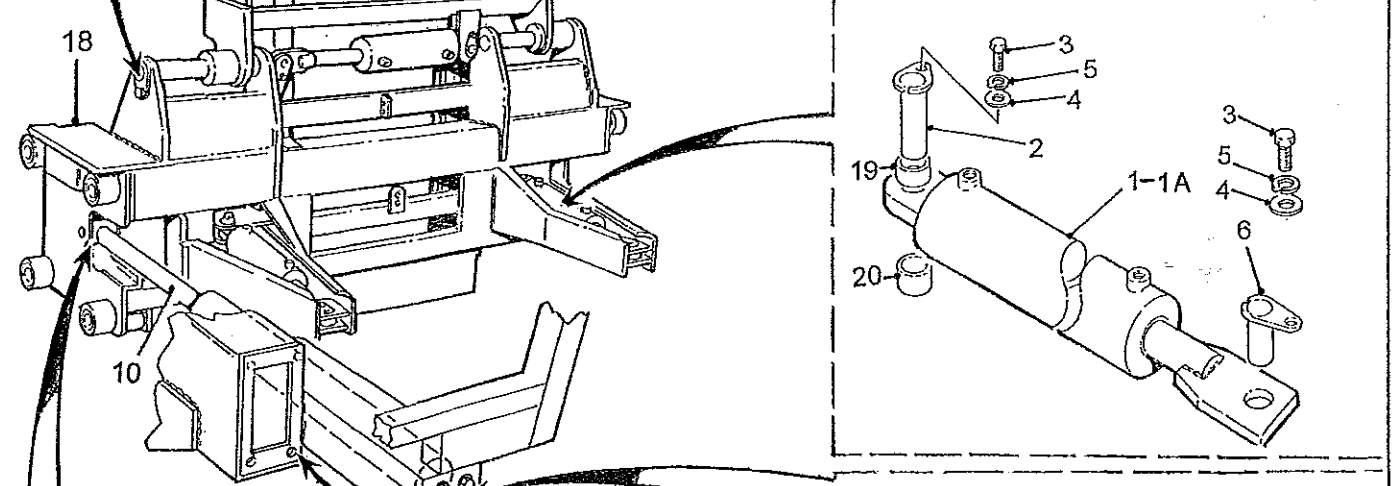
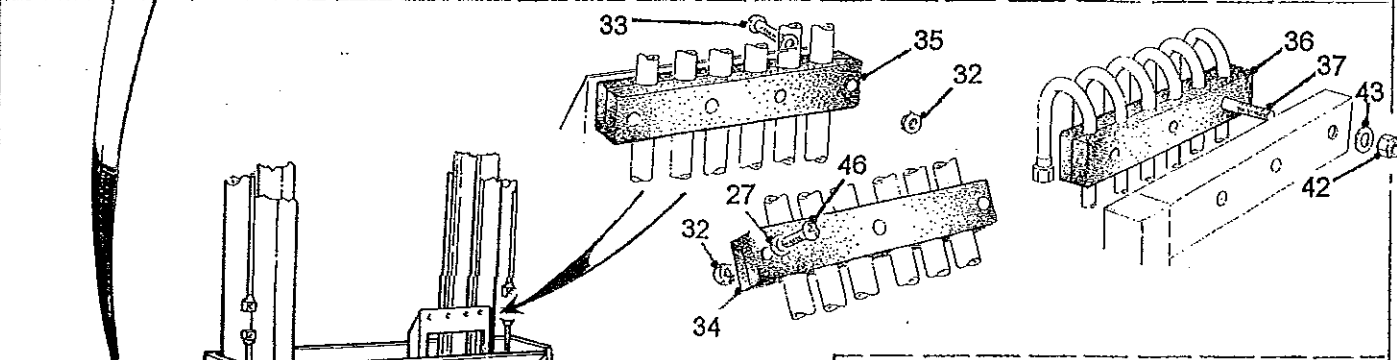
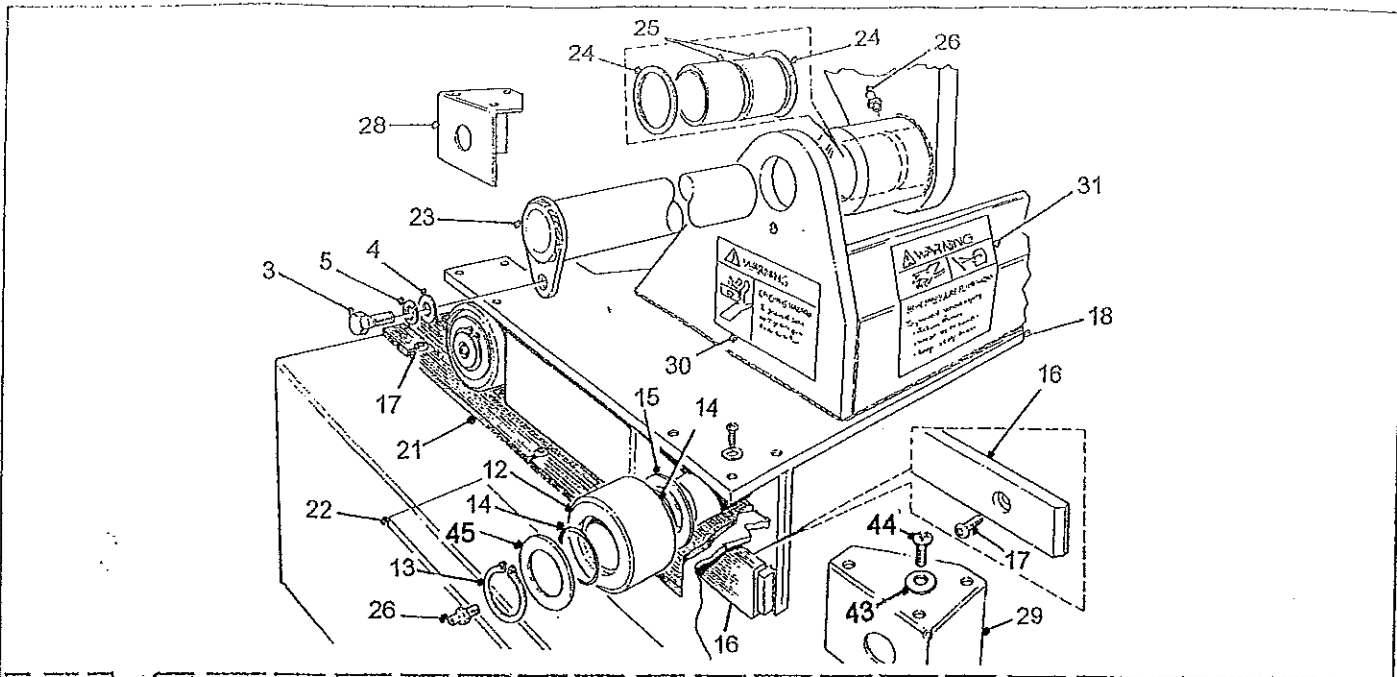


ITEM NO.	PART NO	DESCRIPTION	QTY
		MAST ASSEMBLY	
1	T500005	Cylinder - Mast 10 ft. Lift. 2 1/4 Bore	2
	T500013	Cylinder - Mast 10 ft. Lift 2 1/2 Bore	1
	T500015	Cylinder - Mast 12 Ft. Lift	1
2	U19141	Seal Kit - 2 1/4 Bore Cyl	1
	U17570	Seal Kit -10 ft. & 12 ft. Lift 2 1/2 Bore Cyl.	4
3	F011224	Bolt 3/4 UNC X 2 1/2	4
4	F561020	Bolt 5/8 X 2. Flanged 12 point HD	8
5	T300034	Cross Beam 4500	1
	T300077	Cross Beam 5000	1
6	T300131	Mast Channel - Weldt. Outer 10 ft.	1
	T300132	Mast Channel - Weldt. Outer 12 ft.	1
7	KX 20054	Lift Chain - Upper	2
7A	KX20058	Lift Chain-Upper (nickle plated) special order	2
8	T500003	Cylinder - Side Shift	1
9	U17587	Seal Kit	1
10	T300004	Carriage - Mast (see following section for details)	1
11	T300035	Fork Carriage (Up to serial No. 24)	1
	T300078	Fork Carriage (From serial No. 25	1
12	T100446	Lift Chain Anchor 7/8 UNF (From serial No. 25	4
	T100097	Lift Chain Anchor 3/4 UNF (Up to serial No. 24)	
13	F231200	Jam Nut 3/4 UNF	6
14A	KX20059	Lift Chain Lower (nickle plated) special order	2
14	KX20056	Lift Chain Lower	2
15	KB10001	Combination Bearing (with spigot-KB10003, spigot-KB10002)	4
16	T300033	Mast Channel - Weldt. Inner 10 ft.	1
	T300110	Mast Channel - Weldt. Inner 12 ft.	1
17	T300031	Pin - Lift Sheave	4
18	F010406	Bolt 1/4 x 3/4	4
19	F320400	Flat Washer 1/4	4
20	F310400	Lockwasher 1/4	4
21	KX90020	Grease Nipple	12
22	T100149	Sheave - Lift chain	4
23	KB52416	Bushing	4
24	T500007	Carriage Roller Assy.	4
25	KB99001	Seal "O"Ring	16
26	KB12839	Thrust Washer - Inner	16
27	KX10175	Snap Ring - External	4
28	T100254	Forks	2
28A	KF99046	Fork	
29	KX20009	Chain Link Set (Links, Pins, Cotter Pins)	4
30	T100096	Lift Chain Junction (7/8 UNF short)	2
31	T100141	Carriage slider, side (5/8 in)	2
	T100142	Carriage Slider, Side. (1/16")	2

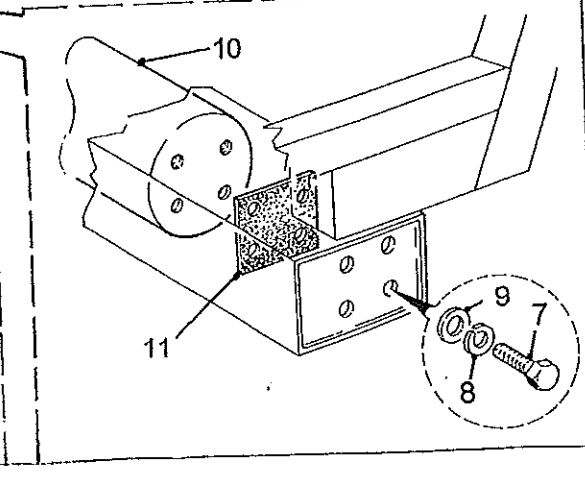
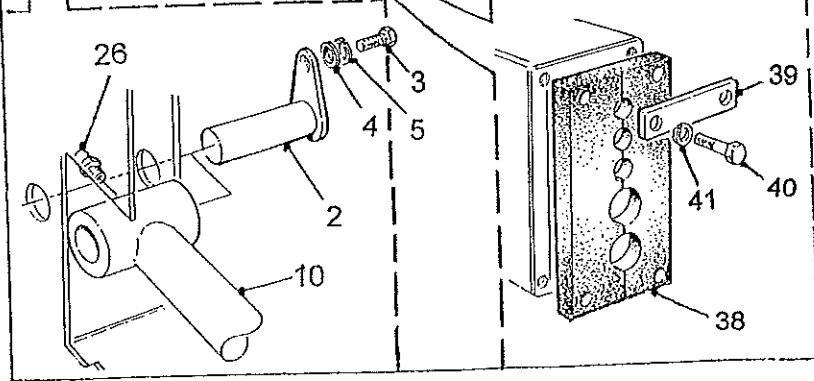
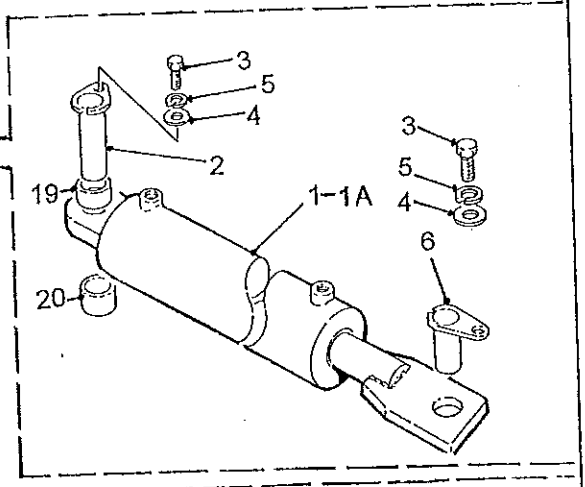
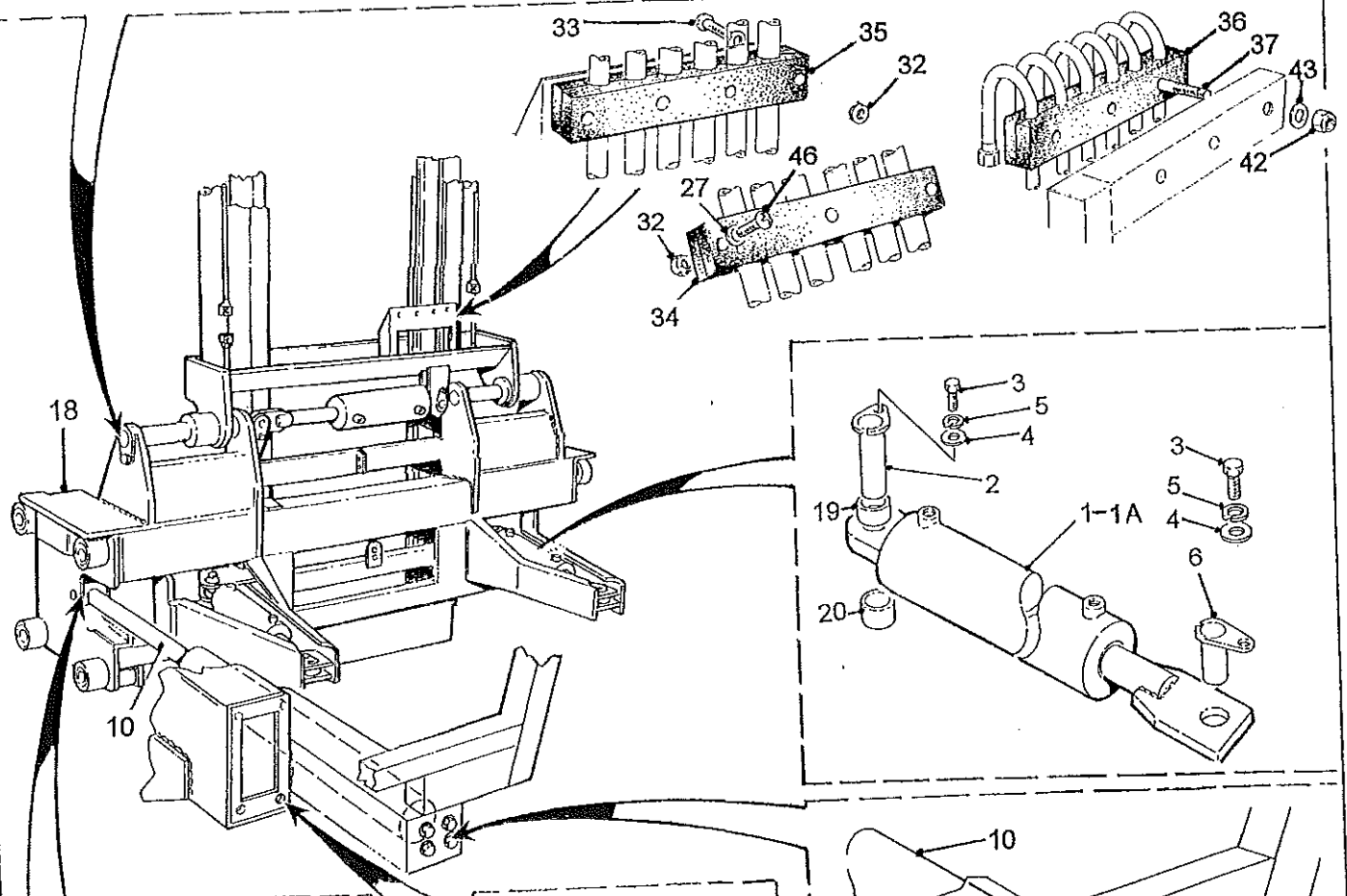
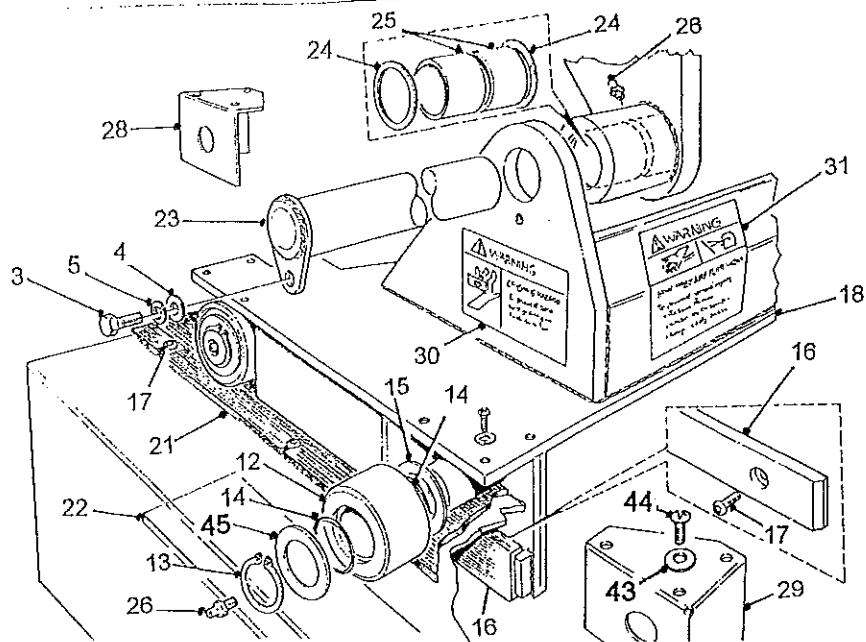


ITEM NO.	PART NO	DESCRIPTION	QTY
		MAST ASSEMBLY	
32	KB12841	Thrust Washer - Outer	8
33	T100192	Slider Bearing 0-190 in 'A'	A/R
34	T100193	Slider Bearing 0.230 in 'B'	A/R
35	T100194	Slider Bearing 0.280 in 'C'	A/R
36	T100195	Slider Bearing 0.320 in 'D'	A/R
37	T100458	Chain Junction - (7/8 UNF. Long)	2
38	F310800	Lockwasher 1/2 in	10
39	F231450	Jam Nut 7/8 UNF	12
40	F010810	Bolt 1/2 x 1 in	2
41	T100738	Fork Retaining Washer	2
42	T100314	Clamp set. Carriage (6 hose) see Mast Carriage Illustration	1
43	T300030	Mast Pin - Carriage Side Shift	2
44	D001-016	Decal "Kesmac" (white vertical)	2
45	D001-020	Decal "4500R"	2
46	D001-041	Decal "4500F"	2
47	D001-0239	Decal "5000R"	2
48	D001-040	Decal "5000F"	2
49	D001036	Decal "High Pressure Fluid"	1
50	D001-032	Decal "Crushing Hazard"	2
51	D001-015	Decal "Do Not Stand Under" (not shown)	2
52	D001-024	Decal "Do Not Permit Riders" (not shown)	2
53	D001-029	Decal "Do Not Service" (not shown)	2
54		12-24 x 1/2 Counter Sunk Screw	8
55	F311200	Lockwasher 3/4	2
56	KX20060	Lift Chain - 12 ft Lift	4
*57	KF99142	Block Forks ( 43 in) (not shown)	
	KF99146	Block Forks (46 in) (not shown)	
58	KX90030	Grease Fitting (Metric)	4
59	T100142	Carriage Slider, Side (9/16)in	
60	T300095	Backstop - (Options) (not shown)	1
61	F010812	1/2 x 1 1/4 bolt	4
62	F310800	1/2 Lockwasher	4
63	KF99001	Fork Lock. (Lever Type)	2
		NOTE	
		Slider Bearings items 33, 34, 35 & 36 are coded A, B, C, & D. The appropriate code letter is stamped on the mast channel adjacent to the bearing locations.	
		It is important when replacing these slider bearings to use the correct size.	
		For details of decals refer to page 55	

see note

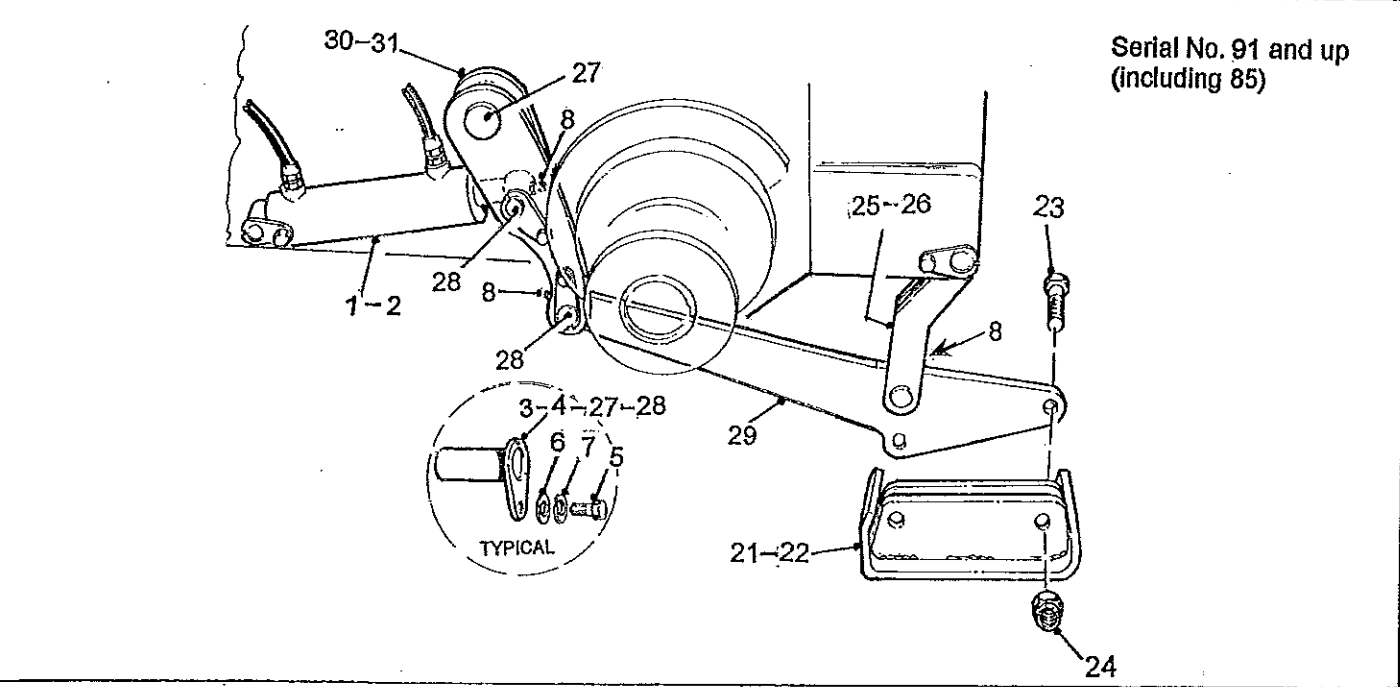
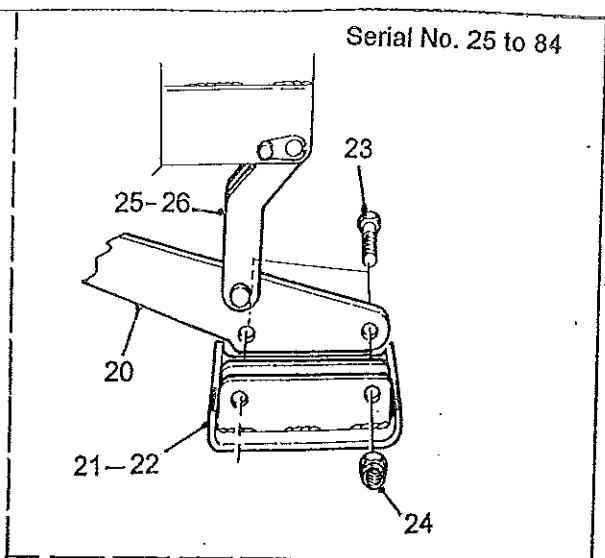
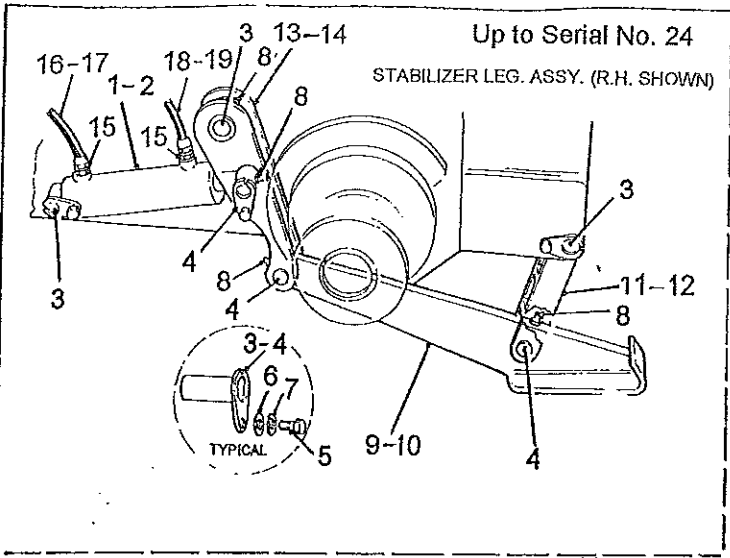


ITEM NO.	PART NO	DESCRIPTION	QTY
		MAST CARRIAGE ASSEMBLY	
1	T500003	Tilt Cylinder	2
	T500016	Tilt Cylinder (with spacer)	2
1A	U17587	Seal Kit - Tilt Cylinder	1
2	T300042	Pin - Tilt and extension cylinder	4
3	F010506	Bolt 5/16 x 3/4	6
4	F320500	Flatwasher 5/16	6
5	F310500	Lockwasher 5/16	6
6	T300043	Pin Tilt Cylinder	4
7	F010610	Bolt 3/8 x 1 in	4
8	F310600	Lockwasher	4
9	F320600	Flatwasher	4
10	T500002	Extension Cylinder	2
10A	U19141	Seal Kit - Extension Cylinder	1
11	T100433	Cushion - Extension Cylinder	2
12	T500007	Carriage Roller Assy	8
13	KX10175	Retaining Ring - External	8
14	KB99001	Seal	16
15	KB12839	Thrust Washer (inner 0.030)	8
16	T100141	Carriage Side Slider	2
17	F220510	Cap Screw - Button head	32
18	T300004	Carriage Frame	1
19	T100225	Spacer, Upper - Tilt Cylinder	2
20	T100226	Spacer, Lower - Tilt Cylinder	2
21	T100024	Track Plate - Upper	2
22	T100025	Track Plate - Lower	2
23	T300030	Mast Pin - carriage side shift	2
24	KX20050	"Smalley" Ring (Bushing Retainer)	4
25	KB12832	Bushing	4
26	KX90020	Grease Nipple	12
27	F320400	Flatwasher 1/4	13
28	T100361	Cover Plate Carriage Wheel Front Left / Rear Right	2
29	T100362	Cover Plate Carriage Wheel Rear Left / Front Right	2
30	D001-032	Decal - Crushing Hazard	1
31	D001-036	Decal - "High Pressure fluid"	1
32	F170400	"T" Nut - 3 prong	10
33		Screw 1/4 x 1 1/2 s/s RH Phillips	10
34	T100313	Hose Clamp (six hose) in Two Places	4

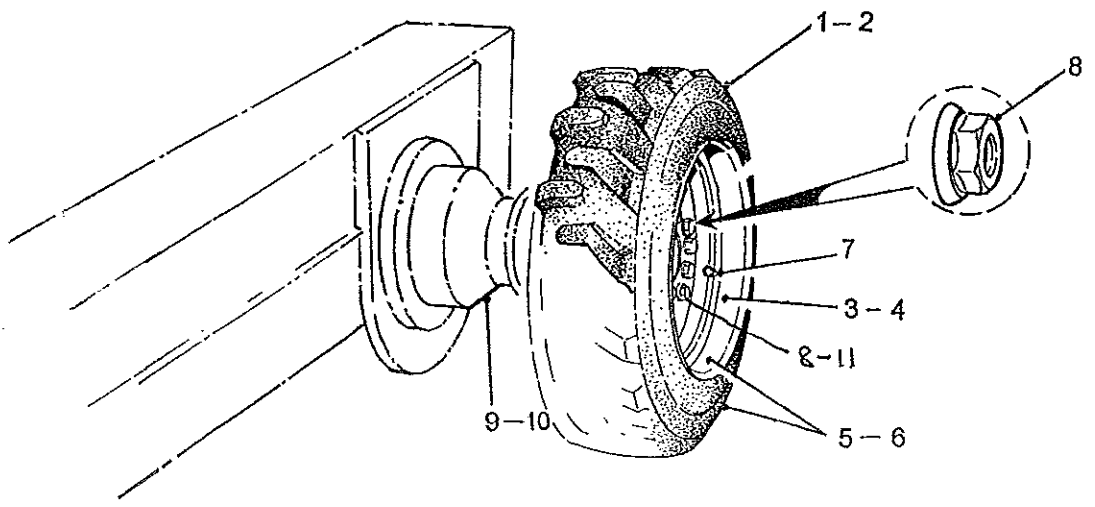




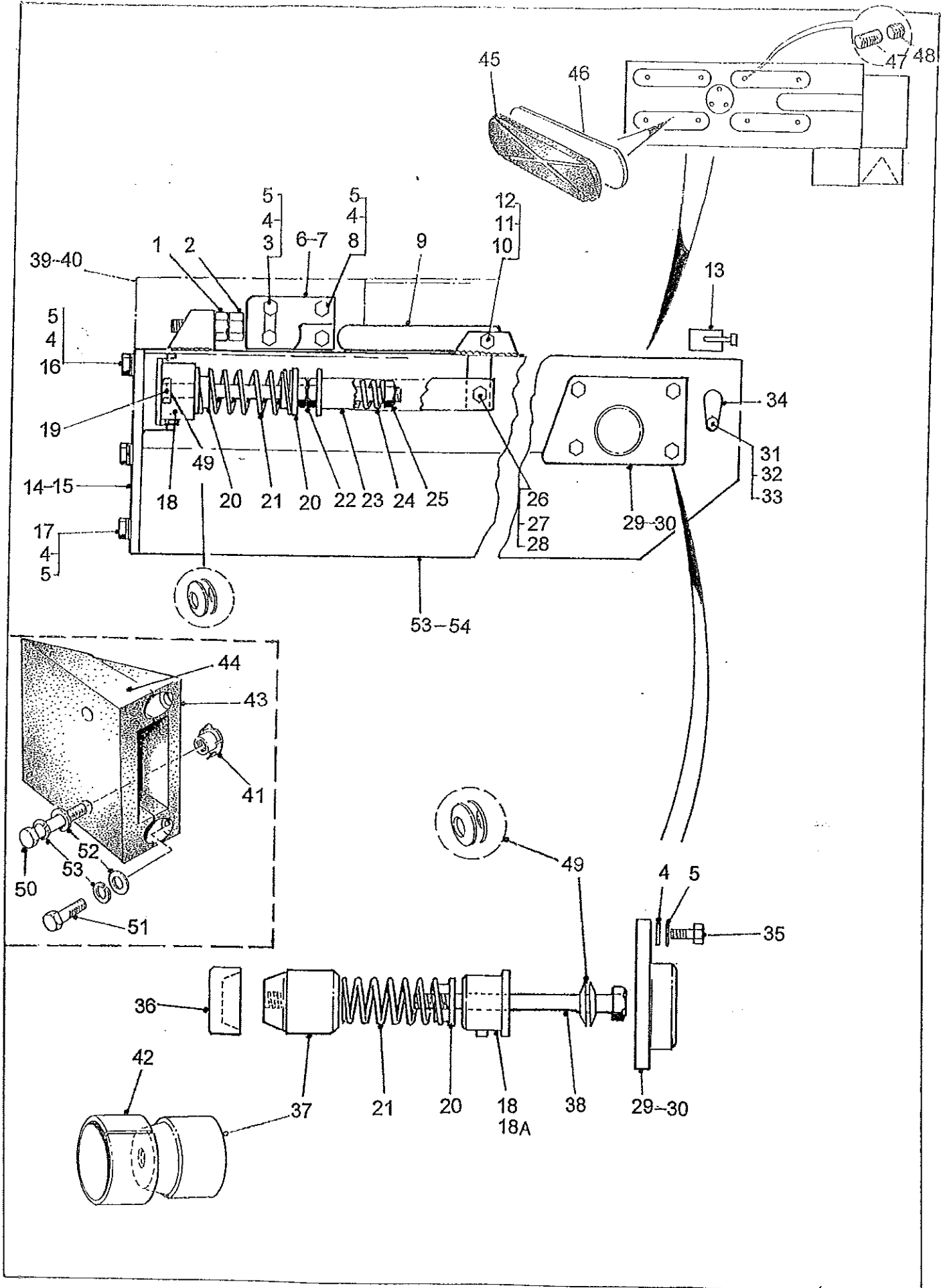
ITEM NO.	PART NO	DESCRIPTION	QTY
		MAST CARRIAGE ASSEMBLY	
35	T100314	Hose Clamp (six hose)	2
36	T100312	Tube Clamp (six tube)	2
37	F010426	Bolt 1/4 x 2 3/4 hex hd	12
38	T100323	Hose Clamp Set	2
39	T100324	Bar	4
40	F010516	Bolt 5/16 x 1 3/4	8
41	F310500	Lock washer 5/16	8
42	F210400	Locknut 1/4	3
43	F320400	Flatwasher 1/4	18
44		Screw 1/4 x 1/2 s/s Phillips R Hd	12
45	KB12841	Thrust Washer - outer 0.090)	8
46		Screw 1/4 x 1 1/4 s/s Phillips R. Hd	3



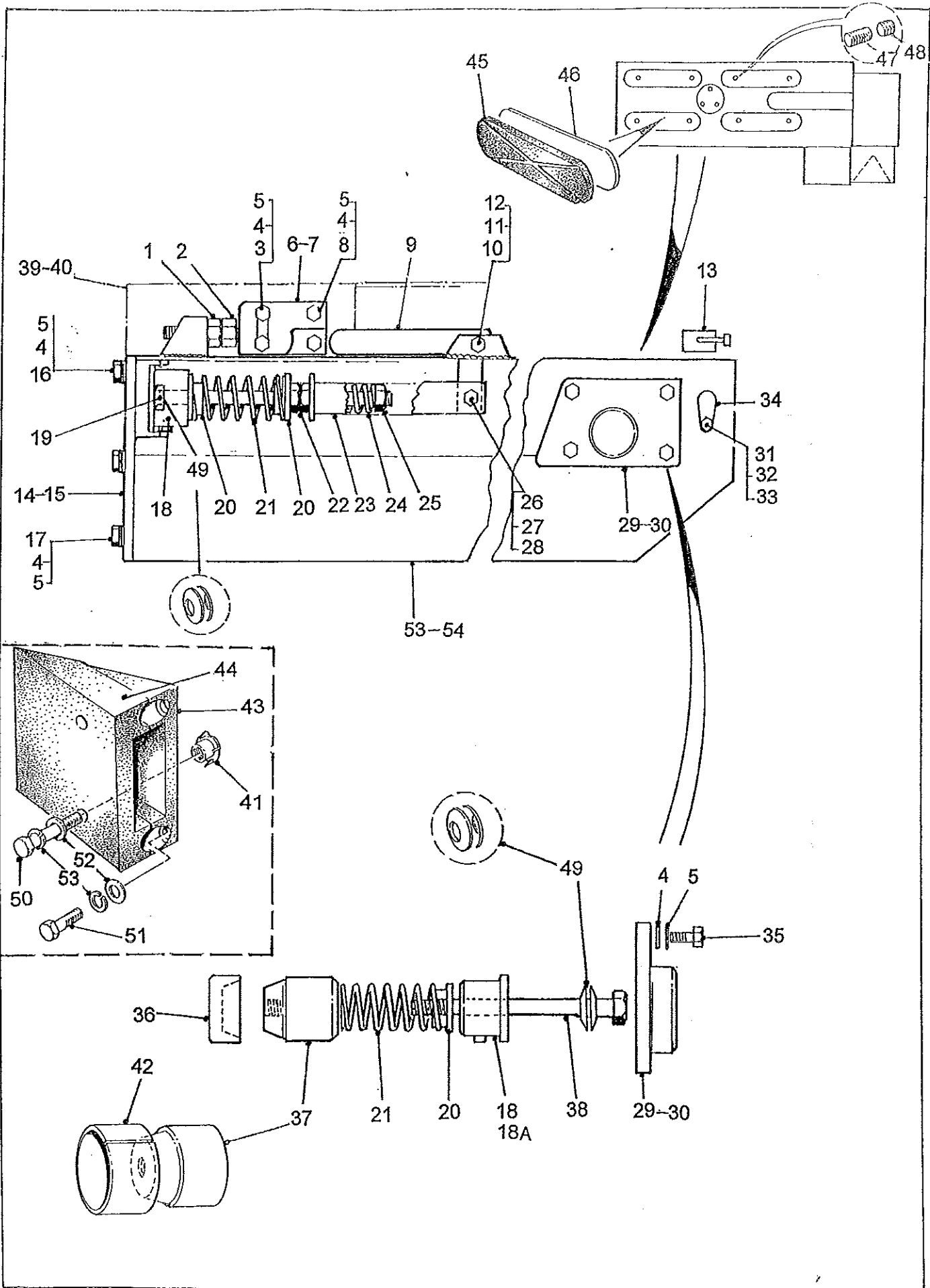
WHEEL/TIRE ASSY (FRONT)



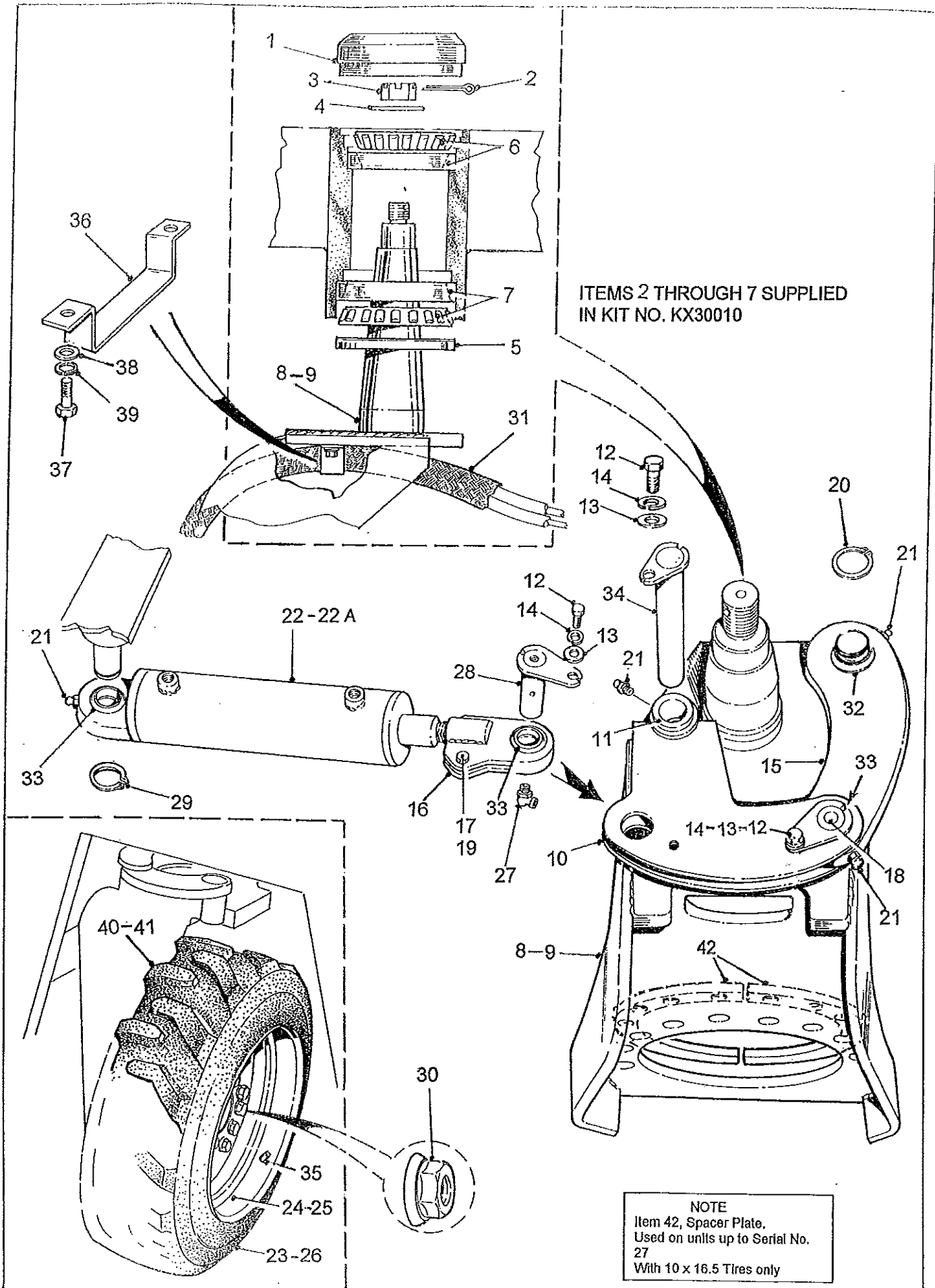
ITEM NO.	PART NO.	DESCRIPTION	QTY.
		STABILIZER ASSY	
1	T500001	Cylinder - stabilizer	2
2	U17570	Seal Kit - Stabilizer Cyl.	1
3	T300040	Pin - Upper	4
4	T300041	Pin - Lower	2
5	F010506	Bolt 5/16 x 3/4	12
6	F320500	Flat Washer 5/16	12
7	F310500	Lock Washer 5/16	12
8	KX90020	Grease Nipple	8
9	T300015	Stabilizer Leg R.H.	1
10	T300014	Stabilizer Leg L.H.	1
11	T300047	Stabilizer Arm L.H.	1
12	T300046	Stabilizer Arm R.H.	1
13	T300045	Control Arm R.H. Up to Ser #91 (except 85)	1
14	T300044	Control Arm L.H. Up to Ser #91 (except 85)	1
15	6-6-070120	No. 6 connector	4
16	T100580	Hose Assy.L.H.	1
17	T100582	Hose Assy.R.H	1
18	T100579	Hose Assy.L.H.	1
19	T100581	Hose Assy.R.H	1
20	T300088	Stabilizer Leg Up to Ser #91 (except 84)	2
21	T300091	Stabilizer Foot (standard)	2
22	T300092	Stabilizer Foot (Option)	2
23	F011224	Bolt 3/4 x 2 1/2	2
24	F211200	Locknut 3/4	2
25	T300089	Front Link LH	1
26	T300090	Front Link RH	1
27	T100138	Pin - Upper Middle	2
28	T300149	Pin - Lower Rear	2
29	T300146	Stabilizer Leg	1
30	T300147	Stabilizer Control Arm LH	1
31	T300148	Stabilizer Control Arm RH	1
		WHEEL/TIRE ASSY (FRONT)	
1	KW52004	Tire 10 x 16.5 8 ply. Standard	1
2	KW52006	Tire 33/1250 x 15. Option	1
3	T300072	Wheel Rim. Standard	1
4	T300079	Wheel Rim. Option	1
5	KW55006	Wheel Rim/Tire/Valve Assy. Standard	1
6	KW55007	Wheel Rim/Tire/Valve Assy. Option	1
7		Valve	1
8	F991400	Nut. Wheel Retaining	10
9	KH30003	Wheel Motor Front	2
10	KH80005	'O' Ring. Motor Wheel Cover	2
11	F061400	Wheel Stud	10



ITEM NO.	PART NO	DESCRIPTION	QTY
		RETRACTABLE LEG LOCK ASSY (OPTION)	
1	F230200	Nut 3/4	2
2	F071224	Bolt 3/4 x 2 1/2 UNF	2
3	F150634	Bolt. Gr.8 3/8 x 3 1/2	4
4	F320600	Flatwasher 3/8	12
5	F310600	Lockwasher 3/8	12
6	T300082	Carriage Lock Stop L.H.	1
7	T300083	Carriage Lock Stop R.H.	1
8	F150814	Bolt GR. 8 3/8 x 1 1/4	4
9	T300063	Lift Link. Carriage Lock	2
10	F070824	Bolt. Gr.8 1/2 x 2 1/2 UNF	2
11	F430800	Disc. Lockwasher	2
12	F310600	Lockwasher 3/8	4
13	KE80005	Limit Switch	1
14	T300061	Carriage Lock, Cover Plate. L.H.	1
15	T300062	Carriage Lock, Cover Plate. R.H.	1
16	F010624	Bolt 3/8 x 2 1/2	8
17	F010610	Bolt 3/8 x 1	4
18	T500004	Leg Lock Cylinder Assy.	4
18A	U21038	Seal Kit. (Leg Lock Cyl.)	1
19	F231800	Nut 1/2 UNF	2
20	T100393	Seat - Spring	6
21	KS10073	Spring 2 in. O.D.	4
22	T300064	Bolt (Weld)	2
23	T300065	Retract Bar Carriage Lock	2
24	KS10047	Spring 1 in. O.D.	2
25	F250800	Locknut 1/2 UNF	2
26	F010414	Bolt 1/4 x 1 1/2	2
27	F320400	Flatwasher 1/4	2
28	F210400	Lock Nut 1/4	1
29	T300067	Sliding Leg. Lock Cyl. Retainer L.H.	1
30	T300068	Sliding Leg. Lock Cyl. Retainer R.H.	2
31	F010510	Bolt 5/16 x 1	2
32	F320500	Flatwasher 5/16	2
33	F310500	Lockwasher 5/16	2
34	T300066	Sliding Leg Safety Pin	2
35	F010612	Bolt 3/8 x 1 1/4 UNC	4



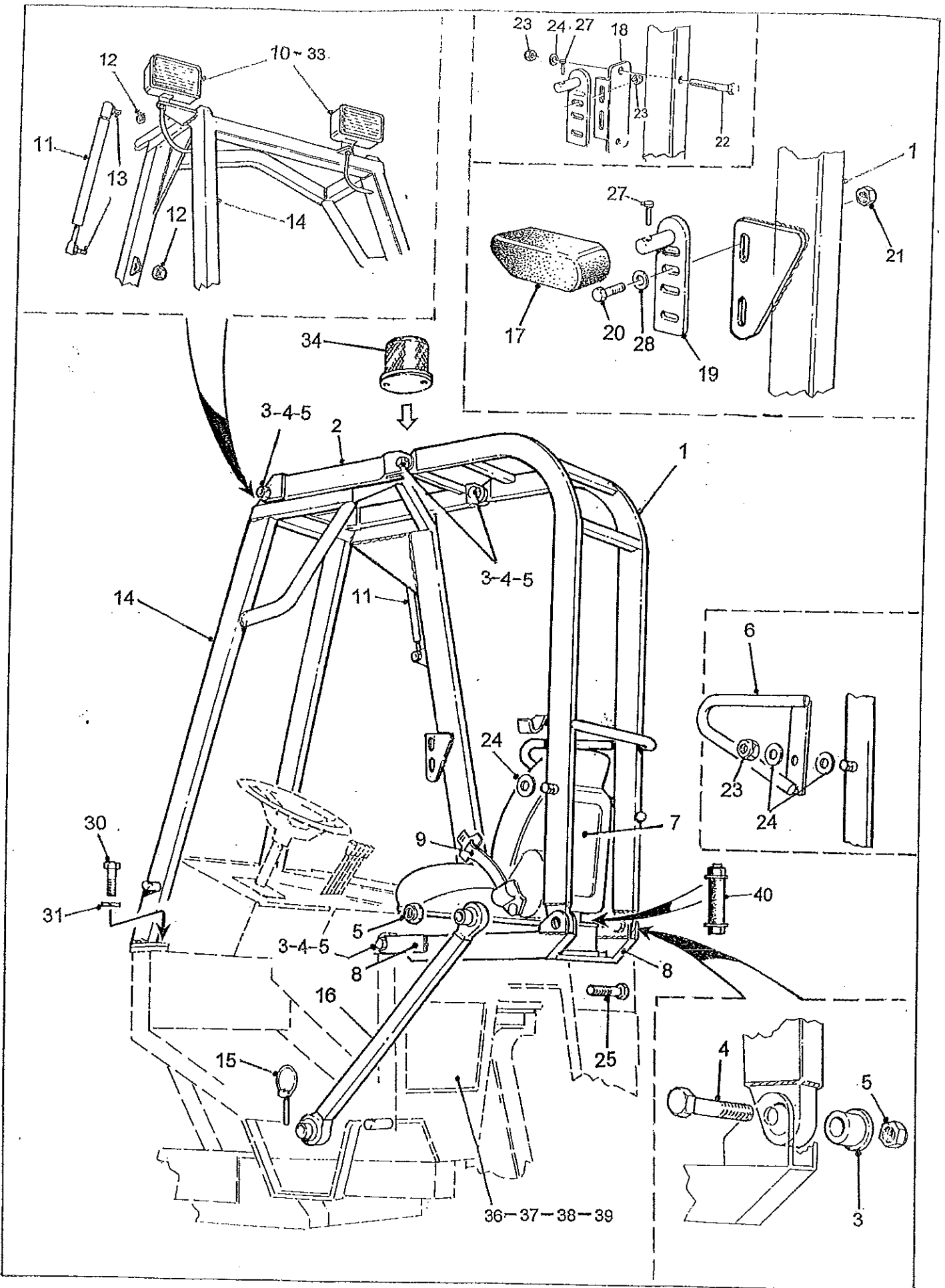
ITEM NO.	PART NO	DESCRIPTION	QTY
		RETRACTABLE LEG LOCK ASSY (OPTION)	
36	T100395	Eccentric Locator - Leg Lock	2
37	T100392	Leg Lock Pin	2
38	T100842	Bolt	2
39	T300363	Latch Cover RH	1
40	T300364	Latch Cover LH	1
41	F170600	"T" Nut	4
42	T100391	Nylon Sleeve - Leg Lock Pin	2
43	T100421	Hose Clamp Inner Sliding Leg	2
44	T100422	Hose Clamp Outer Sliding Leg	2
45	T100193	Slider Bearing	8
46	T100190	Backing Plate	8
47	F140600	Socket Screw 3/8 x 1 in	16
48	F140603	Socket Screw 3/8 x 3/8 in	22
49	F430800	Disc Lockwasher 1/2 in	8
50	F010616	Bolt 3/8 x 1 3/4 hex. Hd	4
51	F010610	Bolt 3/8 x 1 " Hex Hd	4
52	F320600	Flatwasher 3/8	4
53	T300084	Sliding Leg LH	1
54	T300085	Sliding Leg RH	1





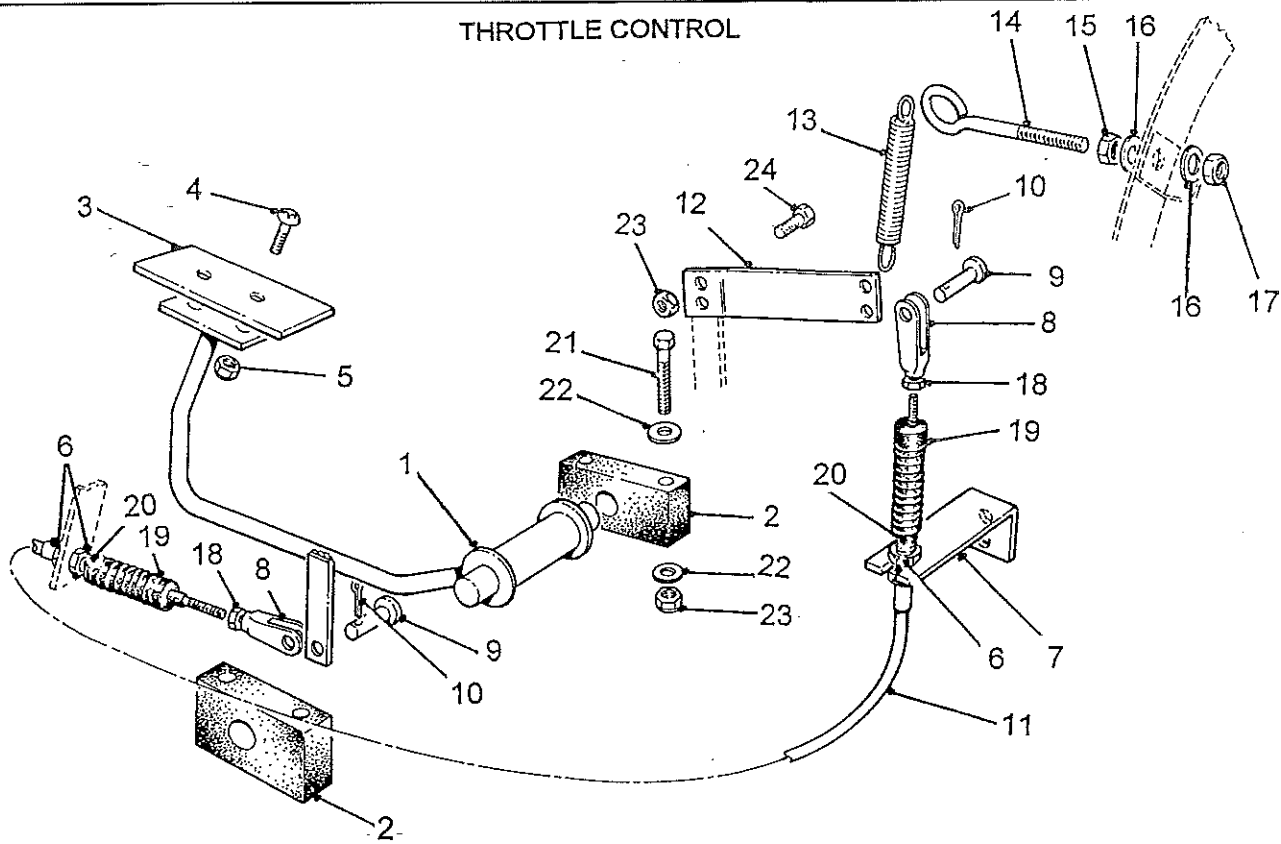
ITEM NO	PART NO	DESCRIPTION	QTY
		REAR STEERING ASSY. (FRONT/REAR. WHEEL ASSEMBLIES)	1
1	KX20004	Dust Cap	1
2	KX20003	Cotter Pin	1
3	KX20002	Nut - Slotted	2
4	KX20008	Flatwasher	1
5	KX20005	Seal	1
6	KX20006	Bearing - Taper Roller - Upper	1
7	KX20007	Bearing - Taper Roller - Lower	1
8	T300005	Steering Carrier Weldt. Std	1
9	T300073	Steering Carrier Weldt. Opt.	1
10	T300006	Bell Crank. C/W Bushings	1
11	KB11620	Bushing - Flanged	2
12	F010506	Bolt - 5/16 in	1
13	F320500	Flatwasher 5/16	1
14	F310500	Lockwasher - 5/16	1
15	T500014	Steering Dog-Link Assy. C/W Bearing	1
16	T500068	End Link - Adjustable Steering Cyl.	1
17	F310600	Lockwasher - 3/8	1
18	T300043	Pin - Pivot	2
19	F010610	Bolt 3/8 - 1 in UNC	1
20	KX10125	Retaining Ring	4
21	KX90020	Grease Nipple	4
22	T500003	Cylinder - Steer (T500012 Cyl. Assy with items 16, 17, 19, 33 & 21)	1
22A	U17587	Seal Kit	1
23	KW52006	Tire - 33/1250 x 15 (Option)	1
24	T300079	Rim - wheel (option)	1
25	T300072	Rim - wheel (std)	1
26	KW52004	Tire - 10 x 16.5 8 ply (std)	2
27	KX90021	Grease Fitting 90 deg	1
28	T300119	Pivot Pin	1
29	KX10100	Retaining Ring - External	1
30	F991400	Nut - Wheel Retaining (special)	30
31	Q7555	Hose Sock	1
32	KB11220	Spherical Bearing 1 1/4 in	1
33	KB11016	Spherical Bearing 1 in	3
34	T300109	Pin Steering Bell Crank	1
35		Valve - Tire	1
36	T100016	Hose Bracket	1
37	F010510	Boit 5/16 x 1" UNC	2
38	F320500	Flatwasher 5/16	2
39	F310500	Lockwasher 516	2
40	KW55006	Wheel Rim/Tire/Valve Assy. Standard	1
41	KW55007	Wheel Rim/Tire/Valve Assy Option	1
42	T100485	Spacer Plate	2

**NOTE**  
 Items 2, 3, 4, 5, 6, & 7 supplied in Kit No. KX30010

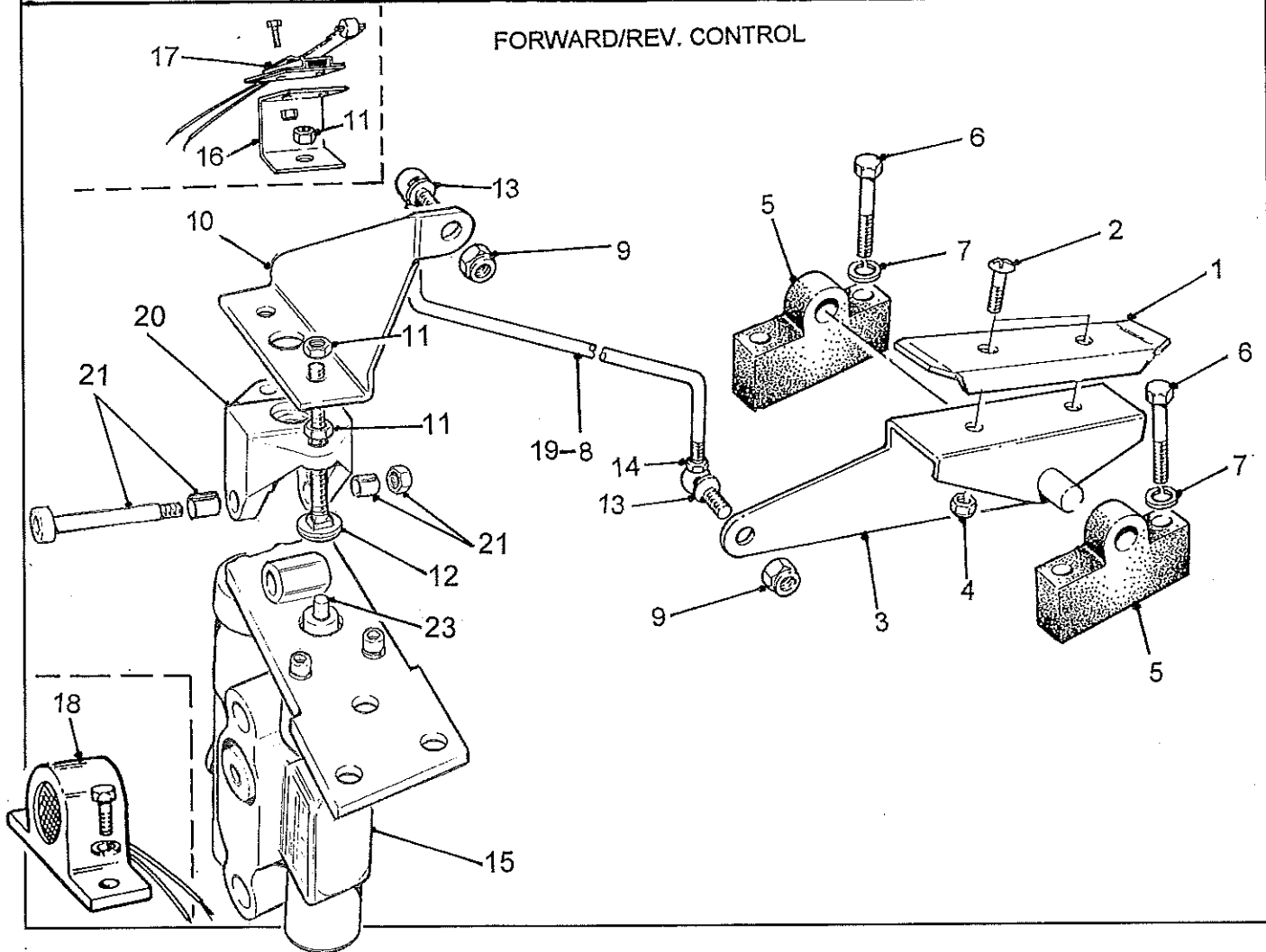


ITEM NO	PART NO	DESCRIPTION	QTY
		F.O.P.S. ASSEMBLY	
1	T300024	Frame - Rear	1
2	T300022	Frame -Top	1
3	KB52418	Bushing	8
4	F070224	Bolt 3/4 x 2 1/2 GR.8. UNF	7
5	F231200	Nut Nyloc 3/4 UNF	8
6	T300039	Side Restraint	1
7	KM40001	Seat Assy C/W shock Absorber	1
8	T300023	Frame - Seat	1
9	KM40002	Retractable Seat Belt	1
10	KE90005	Halogen Lamp	1
11	KM00002	Gas Strut	1
12	F210500	Nut Nyloc 5/16	1
13	KM99013	Ball Stud	2
14	T300021	Frame - Front	1
15	KX30020	Lynch Pin	1
16	T300026	Support Strut (F.O.P.S. Assembly)	1
17	KM00003	Arm Rest	1
18	T100493	Support Bracket (bolt on)	1
19	T300094	Pivot Plate - Arm Rest	1
20	F010606	Cap Screw 3/8 UNC x 3/4	2
21	F210600	Nut - Nyloc 3/8	1
22	F010636	Bolt 3/8 X 3 3/4	4
23	F210600	Nut, Nyloc 3/8 in	1
24	F320600	Flat Washer 3/8 in	2
25	F070240	Bolt 3/8 x 4 GR.8 UNF	4
26	D001-013	Decal - Kesmac	1
27	F880002	Pin	1
28	F320600	Flat Washer 1/2 in	1
29	D001-021	Decal "Do not jump" (Not Shown)	1
30	F010812	Bolt 1/2 x 1 1/4 (F.O.P.S. frame to main frame)	4
31	F310800	Lockwasher 1/2 in	4
32	D001-047	Decal "Danger-Crushing hazard..."	1
33	KE90004	Lamp. Front Flood	1
34	KE10066	Strobe Light (accessory)	1
35		Lockwasher	1
36	KM99028	Container for manuals	1
37	F590408	1/4 unc Stainless Button Head Screw	4
38	F350400	Flatwasher. Stainless	4
39	F210400	Locknut	4
40	T500044	Steat stop assembly	1
41	T100879	Anti-Skid (Cab Floor) Not Illustrated	A/R

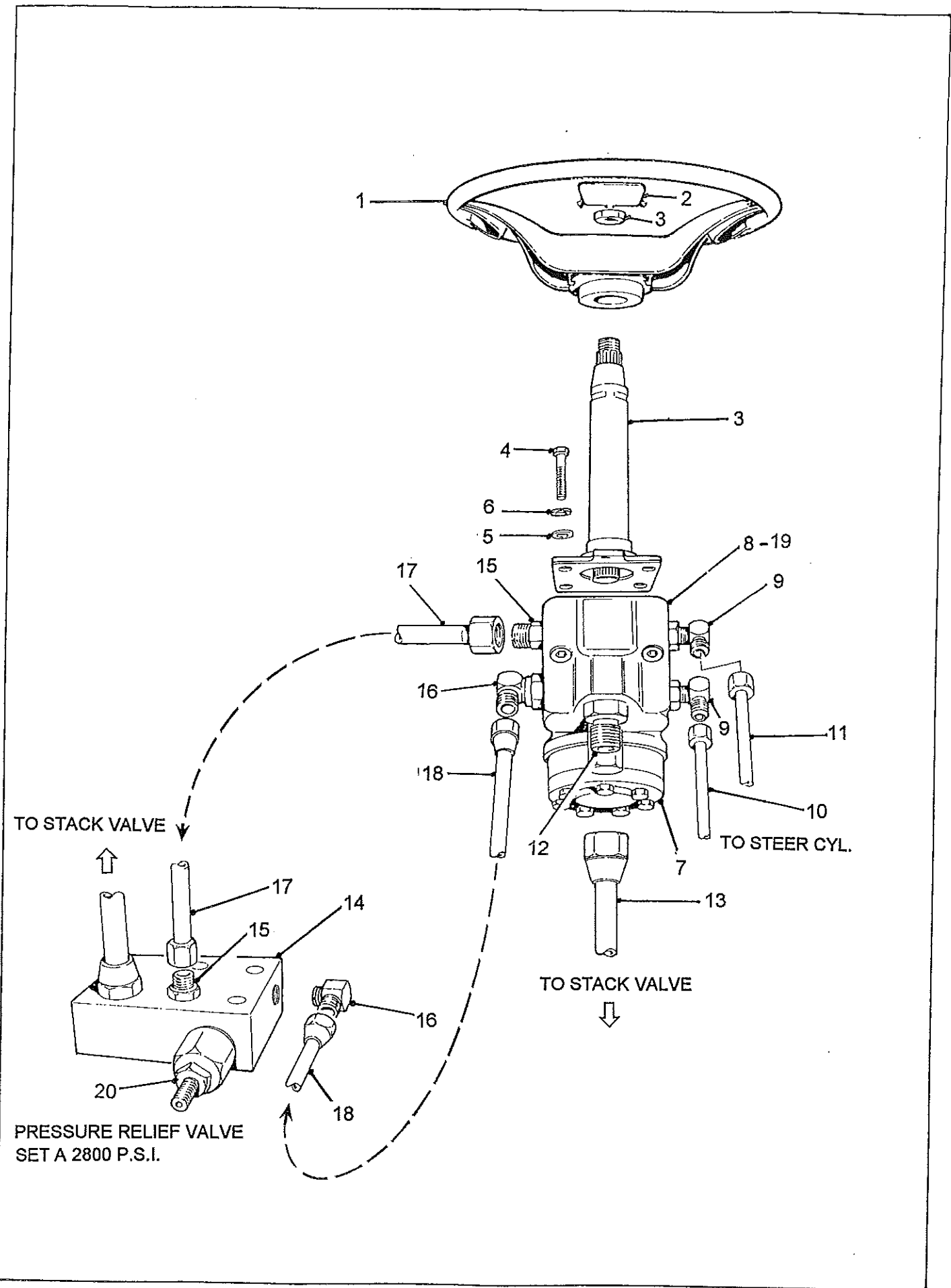
# THROTTLE CONTROL



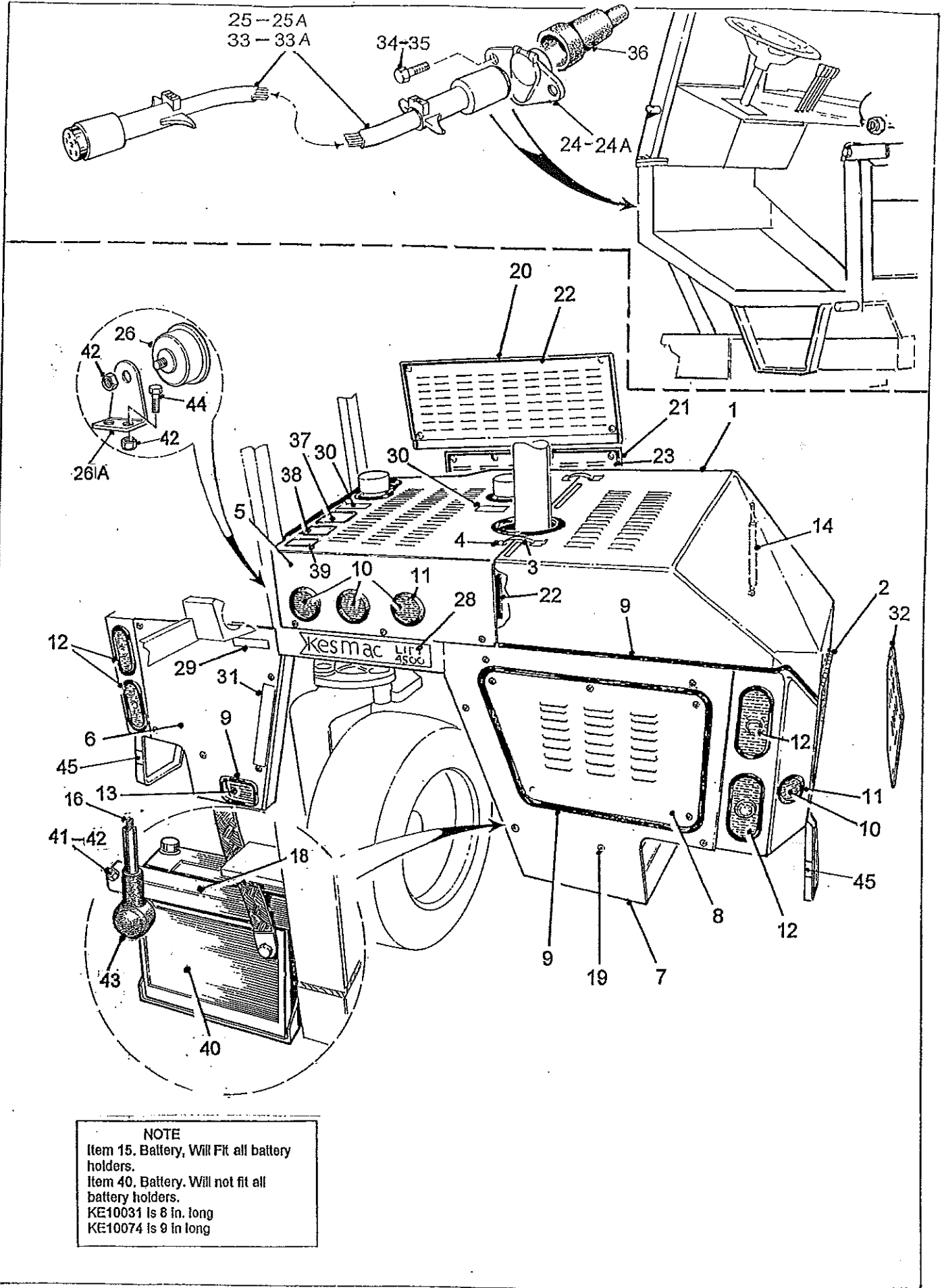
# FORWARD/REV. CONTROL



ITEM NO	PART NO	DESCRIPTION	QTY
		<b>THROTTLE CONTROL</b>	
1	T300027	Pedal Arm - Throttle	1
2	T100339	Bearing - Pedal Arm	2
3	T100338	Foot Pad	1
4	F520510	Screw 1/4 x 3/4 c/sunk	4
5	F210400	Lock nut 1/4	11
6		Jam nut. Ref	4
7	T100316	Bracket - (Cable Anchor)	1
8	KM99002	Rod End Yoke	2
9	KX03000	Clevis Pin	2
10	F910610	Cotter Pin	2
11	KD10001	Throttle Cable Assy	1
12	T100317	Lever - To injection Pump	1
13	KS10004	Spring - Throttle Return	1
14	F050430	Eye Bolt 1/4 x 2	1
15	F230400	Nut 1/4	1
16	F320400	Flatwasher 1/4	10
17		Jam nut #10 - 32	2
18	KD10002	Rubber Boot - Throttle Cable	2
19	KE60002	Tie Wrap	2
20	F010426	Bolt 1/4 - 2 3/4 UNF	4
21	F010406	Bolt 1/4 x 3/4 UNC	2
		<b>FORWARD REVERSE CONTROL</b>	
1	T100183	Pedal Plate - F.N.R.	1
2	F520510	Screw 1/4 x 3/4 c/sunk	2
3	T300025	Lever Forward/Reverse Control	1
4	F210400	Nut - Nyloc 1/4	4
5	T100184	F-N-R Bearing	2
6	F010426	Bolt 1/4 x 2 3/4 UNC	4
7	F310400	Lock Washer 1/4	4
8	T100185	Rod - Lever to Controller Bracket	1
9	F210500	Nut - Nyloc 5/16 UNF	2
10	T100186	F-N-R Controller Link	1
11	F220400	Nut 1/4. Jam	4
12	F070420	Carriage Bolt 1/4 x 2 UNC	2
13	KB03051	Rod End	2
14	F220550	Jam nut 5/6 UNF	2
15	KH20012	Foot Controller Assembly. (KH20108 - Rocker Arm Included.)	1
16	T100825	Mounting Bracket. Micro Switch (Back-up Alarm)	1
17	KE80005	Micro Switch (Back-up Alarm)	1
18	KE10065	Back-up Alarm	1
19	T100850	Rod-Leaver to Controller Bracket (special)	1
20	KH20108	Rocker Arm	1
21	KH20095	Pin & Bushing Kit	1
22	F230400	Jam Nut 1/4 unc	1
23	KH20065	Plunger Kit	1



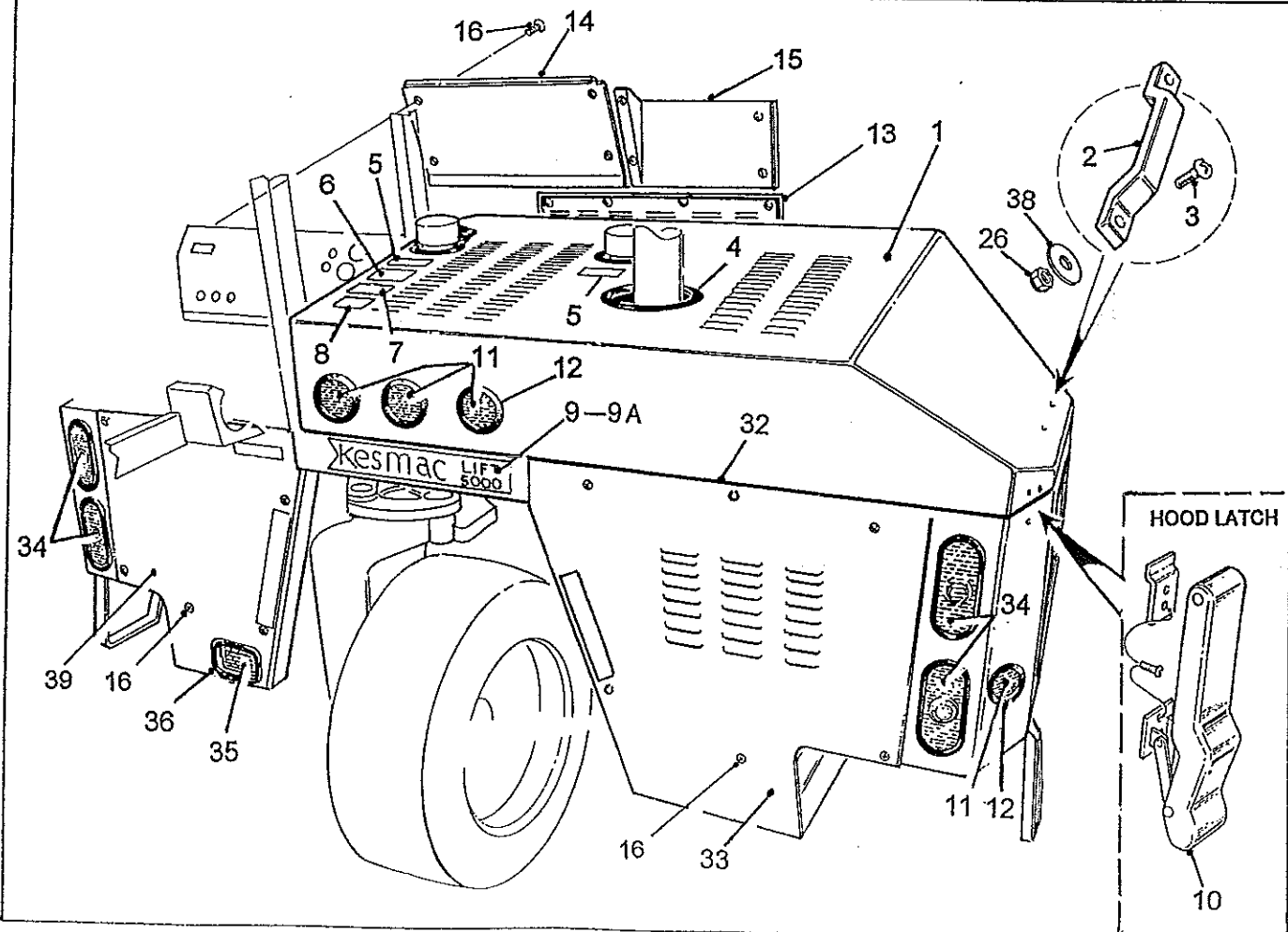
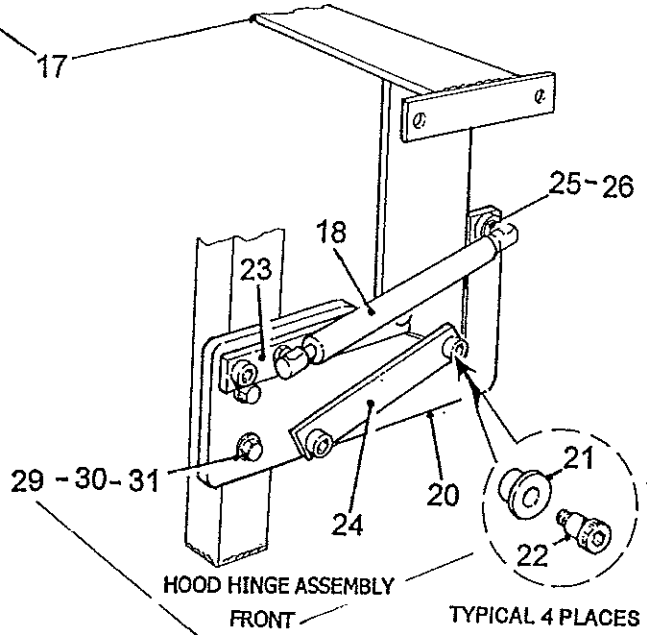
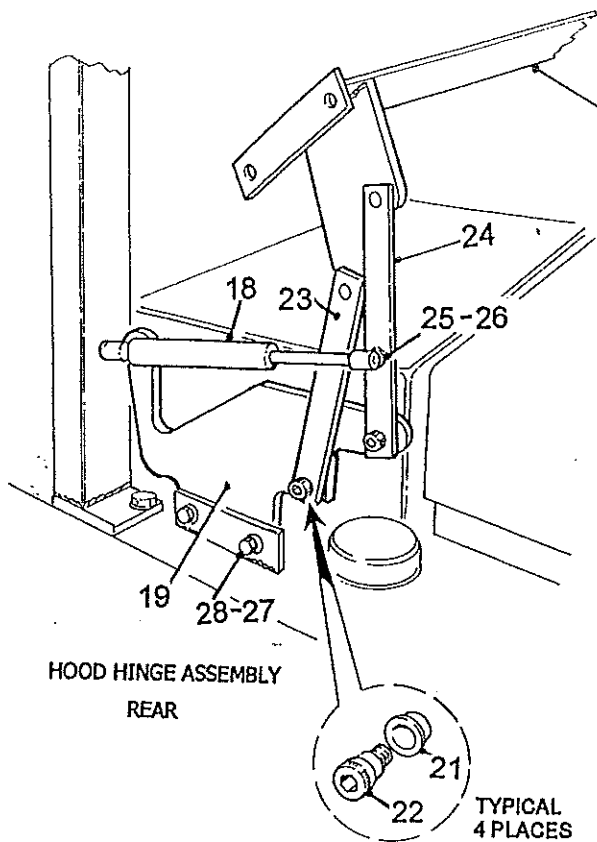
	PART NO	DESCRIPTION	QTY
		STEERING COLUMN, WHEEL & STEERING UNIT ASSY	
1	KM50002	Steering Wheel	1
2	KM50001	Cover	1
3	KH20003	Steering Column c/w Nut	1
4	F010622	Bolt 3/8 x 2 1/4 UNC	4
5	F320600	Flat Washer 3/8	4
6	F310600	Lock Washer 3/8	4
7	KH20002	Steering Unit	1
8	KH20001	Priority Valve	1
9	6-6-07220	No. 6 "O" Ring Elbow	2
10	T100514	Tube assy	1
11	T100513	Tube assy	1
12	8-10-070120	Connector	1
13	T100509	Tube assy	1
14	KH20010	Manifold - relief	2
15	6-6-07120	Connector No.6	2
16	8-8-07220	No.8 "O" Ring Elbow	2
17	T100510	Tube assy	1
18	T100508	Tube assy	1
19	KH70005	'O' Ring/Seal Kit Steering Unit to Priority Valve	1
20	KH70004	Seal Kit. - Relief Valve	1
21	KH20038	Relief Valve	1



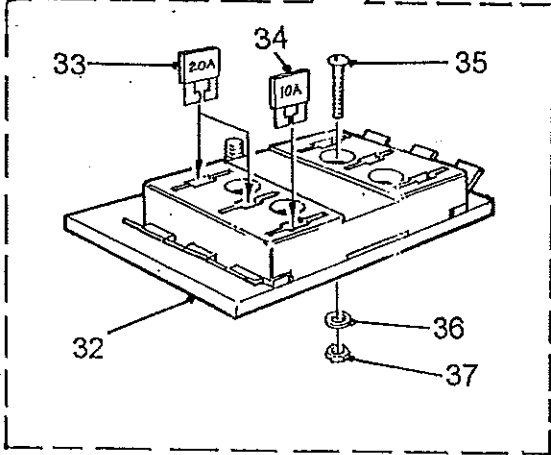
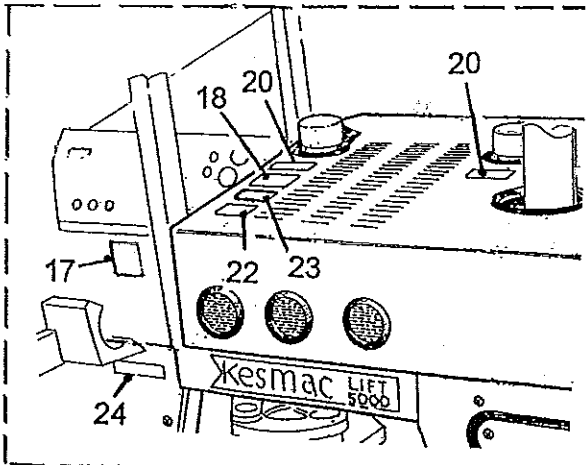
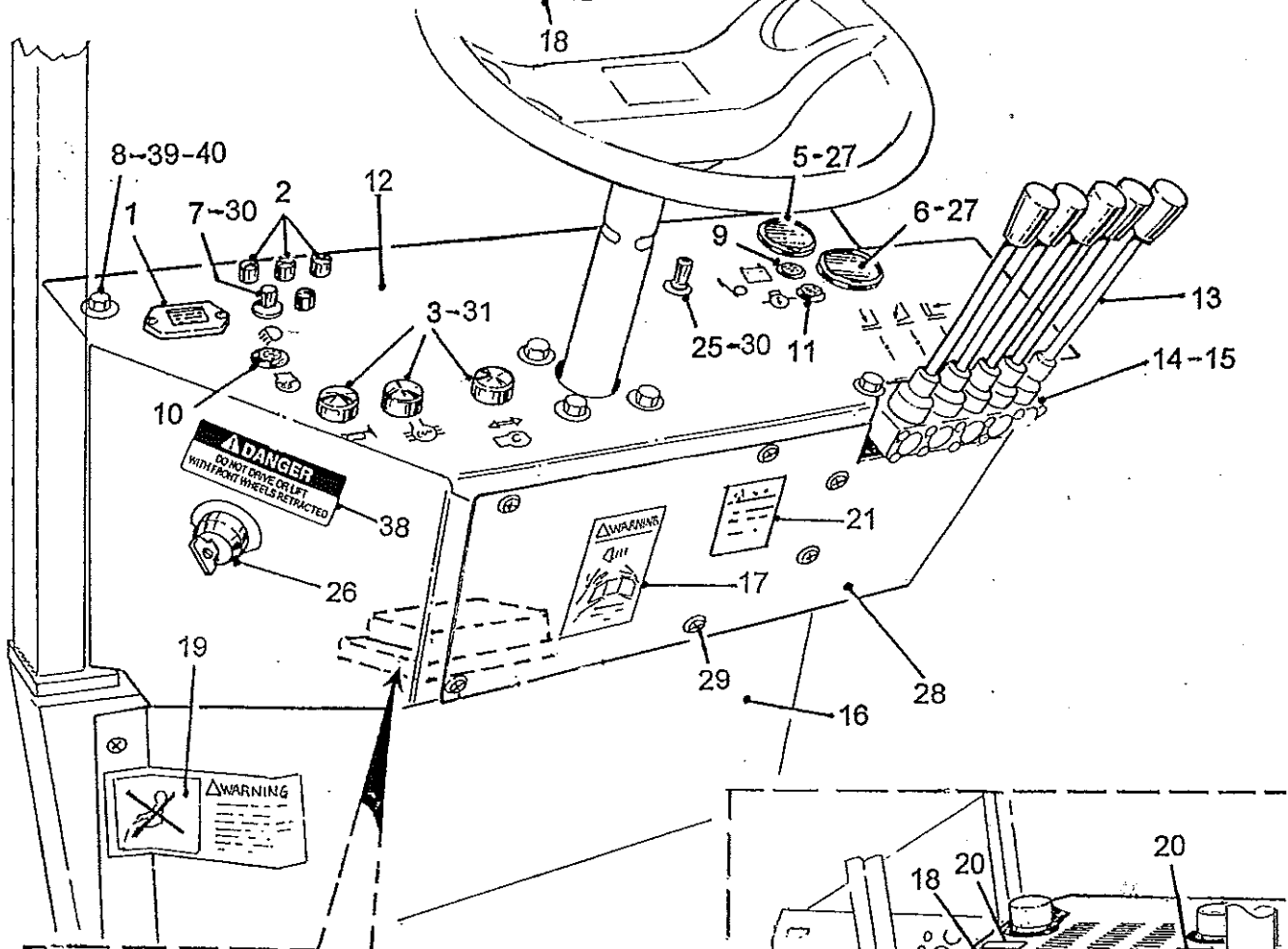
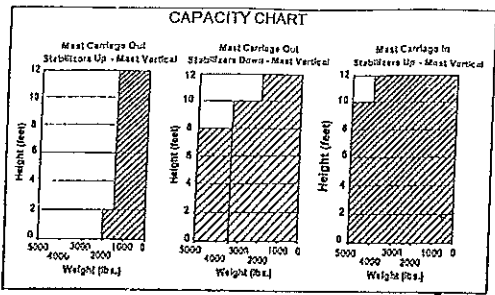
**NOTE**  
 Item 15. Battery. Will Fit all battery holders.  
 Item 40. Battery. Will not fit all battery holders.  
 KE10031 is 8 in. long  
 KE10074 is 9 in long



ITEM NO	PART NO	DESCRIPTION	QTY
		COVER PANELS, TWO PIECE HOOD, BATTERY, LAMPS	
		HOOK UP HARNESS	
1	T100241	Cover panel - Engine	1
2	T100379	S/S Hinge Engine Cover	1
3	F990001	Catch	2
4	F990002	Striker	2
5	T100240	Cover Panel - Hyd Tanks	1
6	T100741	Panel - Rear Left	1
7	T100297	Cover Panel - Right Rear	1
8	T100298	Cover Panel - Access	1
9	Q8350	Edging (order by foot length)	A/R
10	KE10055	Lamp - Red Round	5
11	KE10008	Grommet - For Lamp	5
12	KE90006	Lamp - Rear Stop c/w Grommet	4
13	KE90004	Lamp - Reverse Flood	1
14	KM00001	Gas Strut - Engine Cover	1
15	KE100031	Battery (Not interchangeable with item 40)	1
16	KE10044	Cable - Battery to Starter	1
17	KE10004	Ground Strap	1
18	T100863	Hold Down - Battery	1
19	F540406	s/s Screw 1/4 x 3/4	56
20	T100248	Cover Panel - Front Upper	1
21	T100249	Cover Panel - Front Lower	1
22	Q7513	Rubber Strip	A/R
23	Q7514	Rubber Strip	A/R
24	KE10012	Connector Receptacle. 6 plug. Cable, Unit to trailer	1
24A	KE10068	Connector Receptacle 7 plug. Cable, Unit to trailer	1
25	KE60003	Cable. Unit to trailer. Fixed Leg. 30 in, Six Plug	1
25A	KE60005	Cable. Unit to trailer. Fixed Leg. 30 in, Seven Plug	1
26	KE10027	Horn	1
26A	T100812	Mounting Bracket - Horn	1
27	KE90003	Halogen Lamp (see Page 17)	1
28	D001-014	Decal. "Kesmac 4500"	1
29	D001-023	Decal. "Diesel Fuel"	1
30	D001-022	Decal. "Hydraulic Oil"	2
31	D001-062	Reflective Tape (Red/Silver)	A/R
32	T100247	Cover Panel - Right Side	1
33	KE60004	Cable. Retractable Leg. Unit to trailer (six way plug)	1
33A	KE60006	Cable. Retractable Leg. Unit to trailer (seven way plug)	1
34		Screw S/T 1/4	2
35		Screw S/T 5/16 (For seven way receptacle)	2
36	KE10070	Rubber Boot Cover (For seven way receptacle)	1
37	D001-046	Decal "Load capacity Chart"	1
38	D001-037	Decal "To prevent serious injury "	1
39	D001-S15	Decal "Peligro"	1
40	KE10074	Battery (Not interchangeable with item 15)	1
41	F010570	Bolt 5/16 UNC x 7 in	2
42	F210500	Locknut	5
43	KE10076	Terminal Cover	1
44	F010510	Bolt	2
45	D001-030	Reflective tape (Red)	2

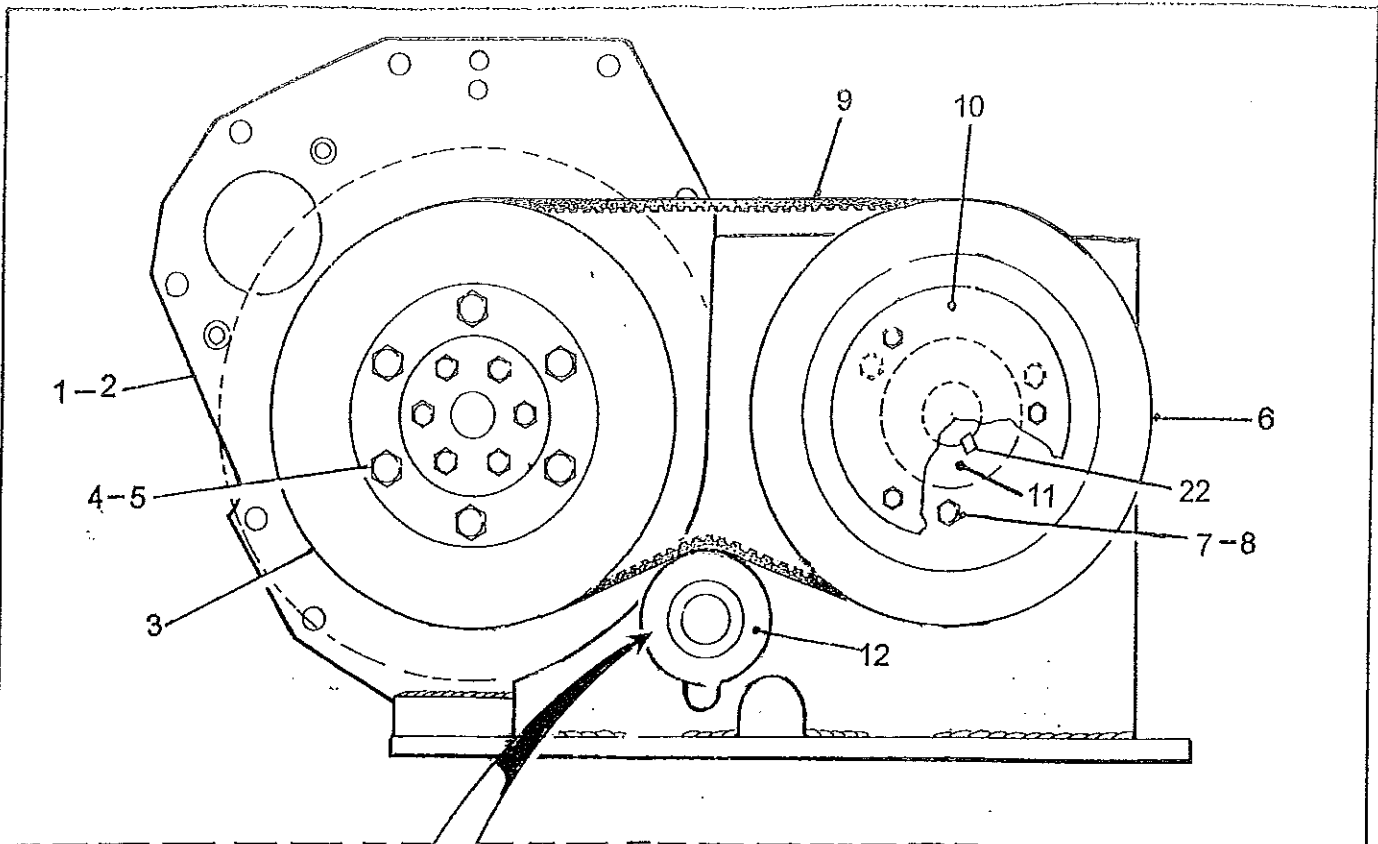


ITEM NO	PART NO	DESCRIPTION	QTY
1	T300118	ONE PIECE HOOD & PANELS ASSY	
		Hood Assembly (Standard Engine)	1
	T300117	Hood Assembly (Turbo Engine)	
2	KM99011	Lift Handle	1
3	F540406	Screw 1/4 X 3/4 S.S.	2
4	Q8350	Edging (order by foot)	A/R
5	D001-022	Decal "Hydraulic Oil"	2
6	D001-046	Decal - "Capacity Load Chart"	1
7	D001-037	Decal "To Prevent Serious Injury....."	1
8	D001-515	Decal - "Peligro"	1
9	D001-013	Decal "KesmacLift 5000"	1
9A	D001-038	Decal "Kesmac Lift 4500"	
10	KM99010	Latch	2
11	KE10055	Lamp - Red Round	3
12	KE10008	Grommet - Lamp	3
13	T100249	Panel - Front Lower	1
14	T100711	Panel - Front Upper LH	1
15	T300150	Panel - Front Upper RH	1
16	F540406	Screw 1/4 x 3/4 s/s	16
17	T300116	Hood Cross Piece Support	1
18	KM10004	Strut	2
19	T300115	Support Bracket - Hood Lift; Rear	1
20	T300114	Support Bracket - Hood Lift, Front	1
21	KB12108	Bushing	8
22	F200004	Shoulder Bolt 1/2 x 1/2	8
23	T100707	Link Arm, Upper	2
24	T100706	Link Arm, Lower	2
25	KM99013	Ball Stud	
26	F210400	Lock Nut 1/4	4
27	F010612	Bolt 3/8 x 1 1/4	2
28	F320600	Flatwasher 3/8	2
29	F010520	Bolt 5/16 x 2	2
30	F210500	Lock Nut 5/16	2
31	F320500	Flatwasher 5/16	2
32	Q8351	Rubber Strip (order by foot)	A/R
33	T100742	Rear Panel R.H.	1
34	KE90006	Lamp Rear Stop c/w Grommet	4
35	KE90004	Lamp - Reverse	A/R
36	Q8350	Edging (order by foot)	A/R
37	F310600	Lockwasher 3/8	2
38	F340408	Fender Washer 1/4	2
39	T100741	Rear Panel LH	1

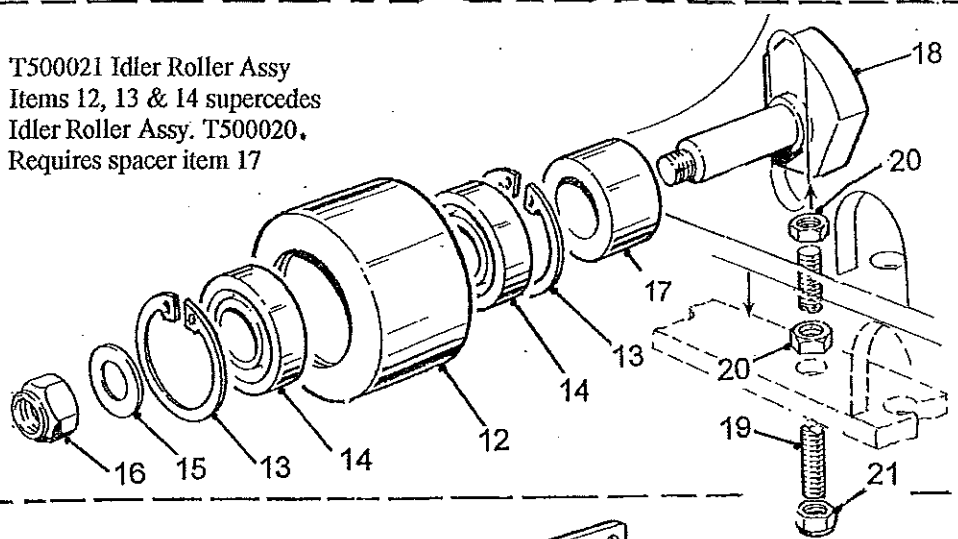


Note: From Mid April 99 on the fuses item (2) located on the dash panel were replaced by the Fuse block item (32) positioned under the dash panel as shown

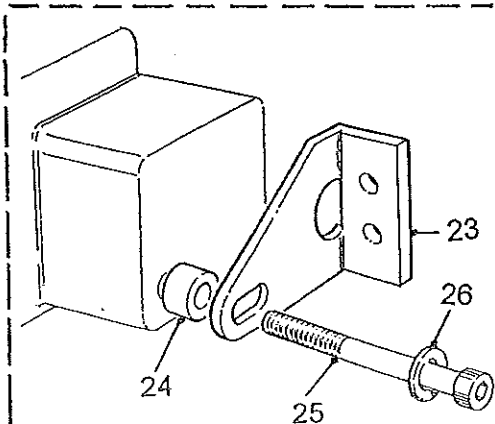
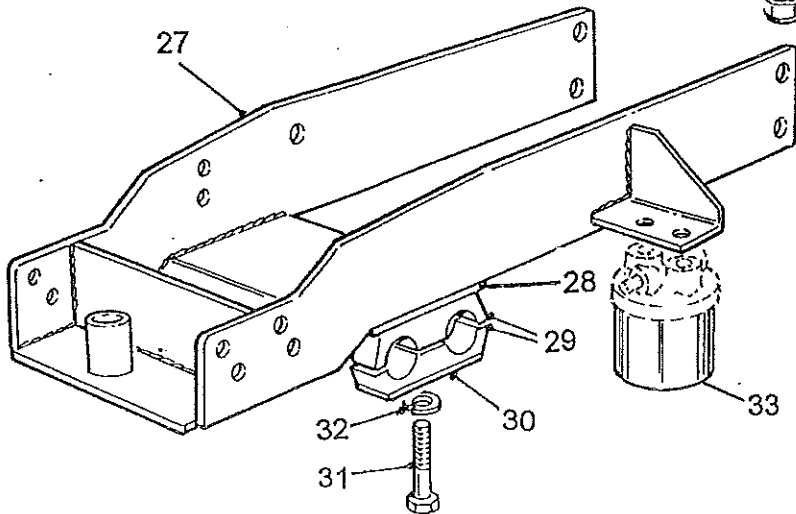
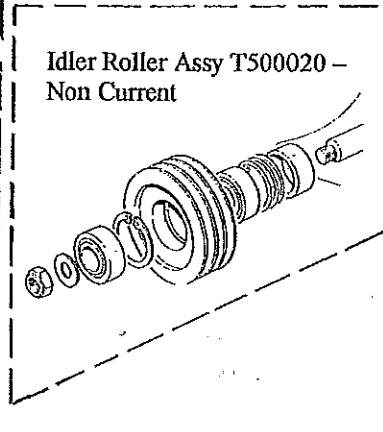
ITEM NO	PART NO	DESCRIPTION	QTY
		DASH PANEL CONTROLS/SWITCHES	
1	KE70005	Hour Meter	1
2	KE10025	Fuse Holder (Panel mounted)	4
3	KE10021	Push Button (Horn/Dif Lock & Retract if reg)	2
4	KE10027	Horn (see panels/lamps section)	1
5	KE70002	Water Temp Gauge	1
6	KE70004	Oil Temp. Gauge	1
7	KE80006	Switch - Lights	1
8	F010506	Bolt-Panel Retaining 5/16 x 3/4 UNC	4
9	KE90001	Warning Light - Amber (Battery)	1
10	KE90002	Warning Light - Green (Glow Plugs)	1
11	KE90003	Warning Light - Red (Oil Pressure)	1
12	T300038	Dash Panel	1
13	T310487	Control Handle - Straight (KH20000- Angled)	5
14	KH20005	Control Valve 5-Spool	1
15	KH70016	"O" Ring Kit for control valve	1
16	T100342	Floor Board - Front Panel	1
17	D001-019	Decal - "Fasten Seat Belt"	1
18	D001-046	Decal - "Capacity Load Chart"	1
19	D001-024	Decal - "No Riders"	1
20	D001-022	Decal - "Hydraulic Oil"	1
21	D001-028	Decal - "Before Dismounting....."	1
22	D001-515	Decal - "Peligro"	1
23	D001-037	Decal - "To Prevent Serious injury"	1
24	D001-023	Decal - "Diesel Fuel"	1
25	KE80007	Switch - Park Brake	
26	KK10023	Ignition/Start Switch.- Refer to Kubota Manual	1
27	KE10002	Bulb c/w holder (Water & Oil Temp Gauges)	1
28	T100208	Panel - Controls Access	6
29		Screw - Panel Retaining	
30	KE10015	Rubber Boot Cover - Switch	2
31	KE10052	Rubber Boot Cover - Switch	3
32	KE10060	Fuse Block	1
33	KE10061	Fuse 20 Amp	2
34	KE10062	Fuse 10 Amp	1
35		Screw #10 - 1 1/4 Phillips Hd	2
36		Flatwasher #10	2
37		Nut #10	2
38	D001-045	Decal "Do Not Drive or Lift"	1
39	F320500	Flatwasher 5/16	4
40	F210500	Nut - Nyloc 5/16 UNC	4



T500021 Idler Roller Assy  
 Items 12, 13 & 14 supercedes  
 Idler Roller Assy. T500020.  
 Requires spacer item 17



Idler Roller Assy T500020 -  
 Non Current



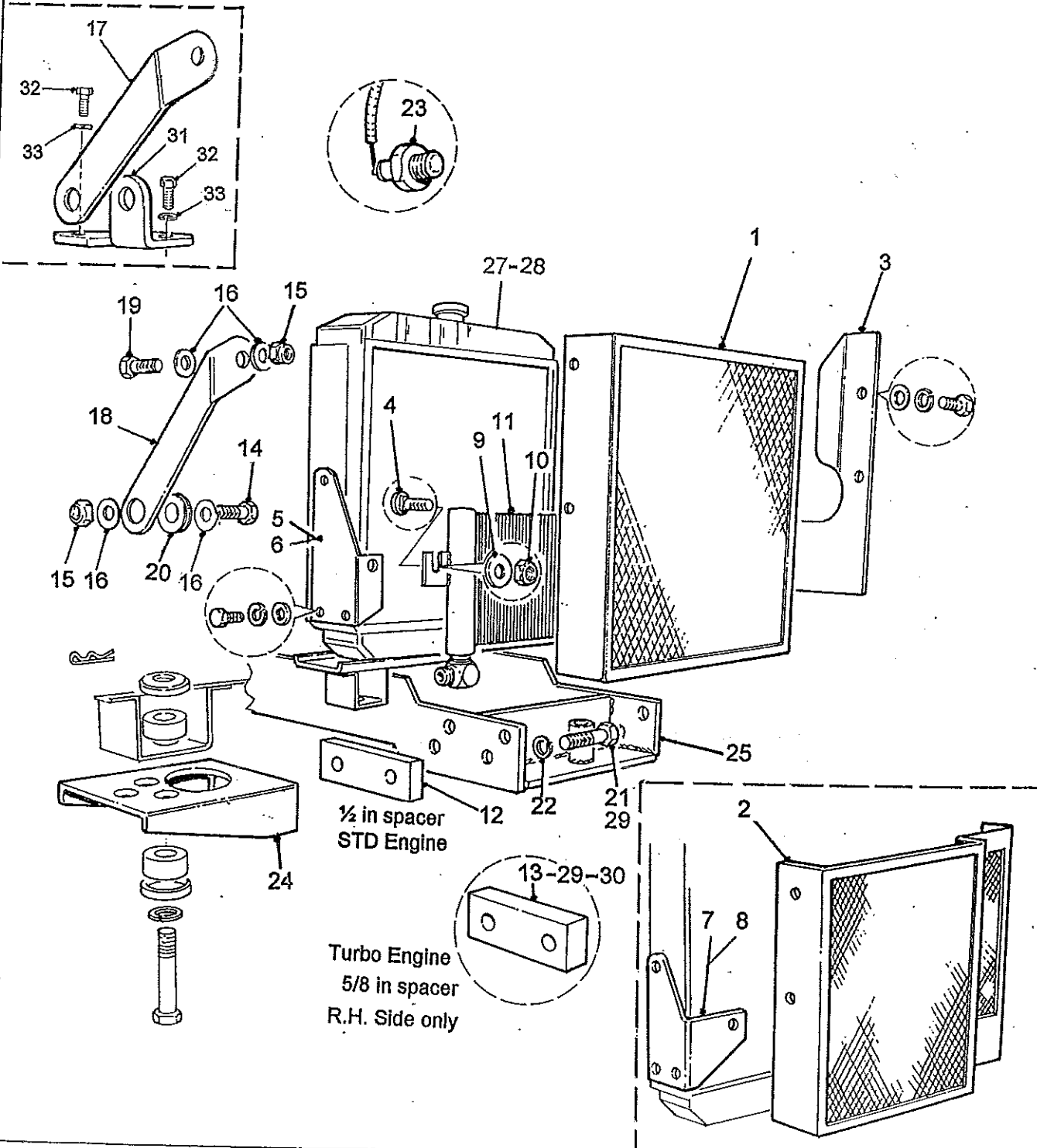
ITEM NO	PART NO	DESCRIPTION	QTY
		ENGINE ASSY. HYDRAULIC PUMP DRIVE / MOUNT/OIL FILTER	
1	T300011	Engine & Hydraulic Pump Mntg. Plate (from Ser #28)	1
2	T300013	Engine & Hydraulic Pump Mntg. Plate (to Ser #27)	1
3	T100051	Drive Sheave	1
4	G011010	Bolt #10. 1.25 X 50 (Metric)	6
5	G461000	Washer (Disc Lock)	12
6	T100052	Driven Sheave	1
7	G010808	Bolt	3
8	G43100	Lock Washer	3
9	KD62450	Belt 3V x 450 "V"	3
10	T100330	Plate	1
11	KD99012	Bushing Taper Lock	1
12	T100808	Idler Roller	1
13	KX10185	Snap Ring - Internal	2
14	KB16204	Bearing - sealed	2
15	F321200	Washer - Flat 3/4	1
16	F201200	Nyloc Nut 3/4 UNF	1
17	T100855	Belt Idler Stud Spacer	1
18	T100058	Shaft - Belt Idler Pulley	1
19	T100331	Threaded Rod 3/8	1
20	F220600	Jam Nut 3/8 UNC	2
21	F210600	Nyloc Nut 3/8 UNC	1
22	F926615	Key - (Driven Sheave to Pump Shaft)	1
23	T300013	Bracket - Hydraulic Pump Support	1
24	T100068	Spacer - Hyd Pump Support Bracket	1
25		Socket Hd Cap Screw 5/8 x 6in GR 8 (Pump Support)	1
26		Flat Washer 5/8 (Pump Item)	1
27	T300012	Engine/Radiator Mounting Bracket	1
28		Hose Clamp Weld Plate (Stauff) Part of Item 27	2
29	5320/32088	Clamp Body (Pair) (Stauff)	2
30	GD/5D	Clamp Top Plate (Stauff)	2
31	F010524	Bolt 5/16 x 2 1/2 UNC	2
32	F310500	Lock Washer 5/16	2
33		Fuel Filter. See Page 38	1
	KK10008	Cartridge - Oil Filter	1

-NOTE-

On early units the mounting brackets 24 may be installed in a inverted position to that illustrated.

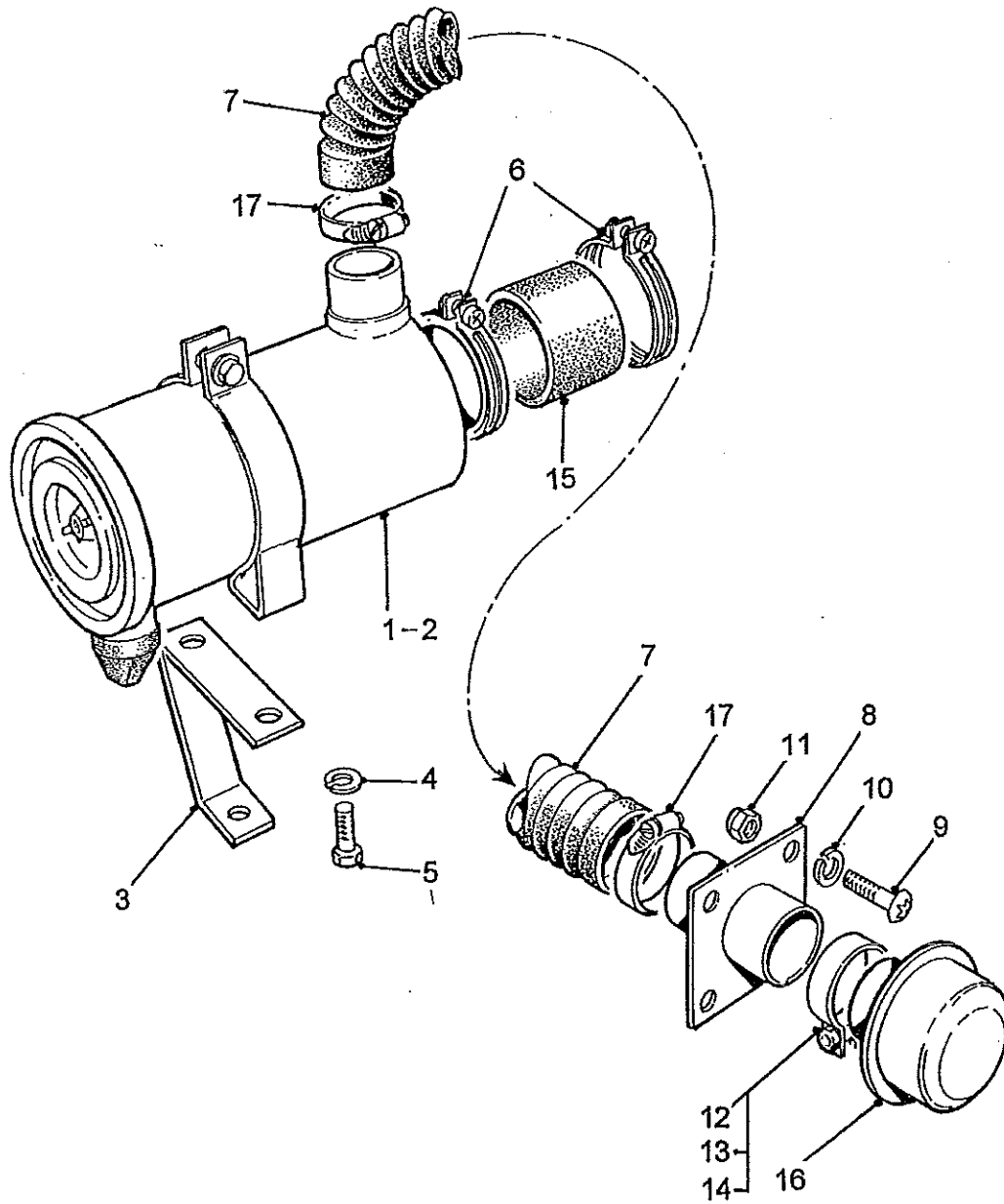
If the mounting brackets are removed they **MUST BE REPLACED** in the same position and in the same holes in the engine plate 25

When radiator, mounting brackets, spacers or mounting rubbers are replaced/reassembled **CHECK THE CLEARANCE** between cooling fan and radiator shroud before starting engine

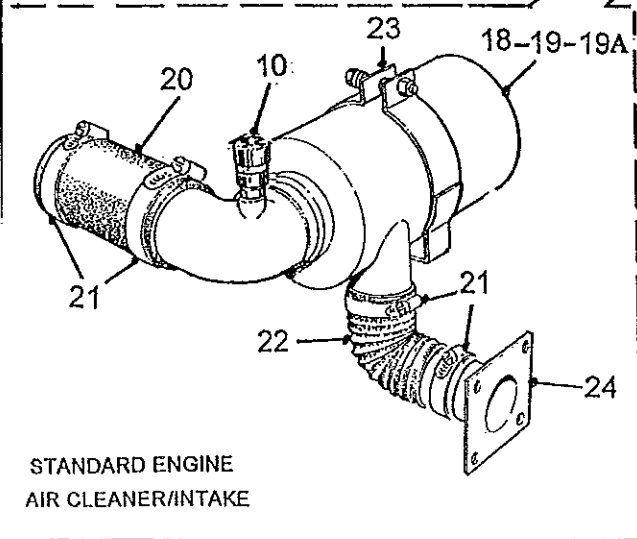
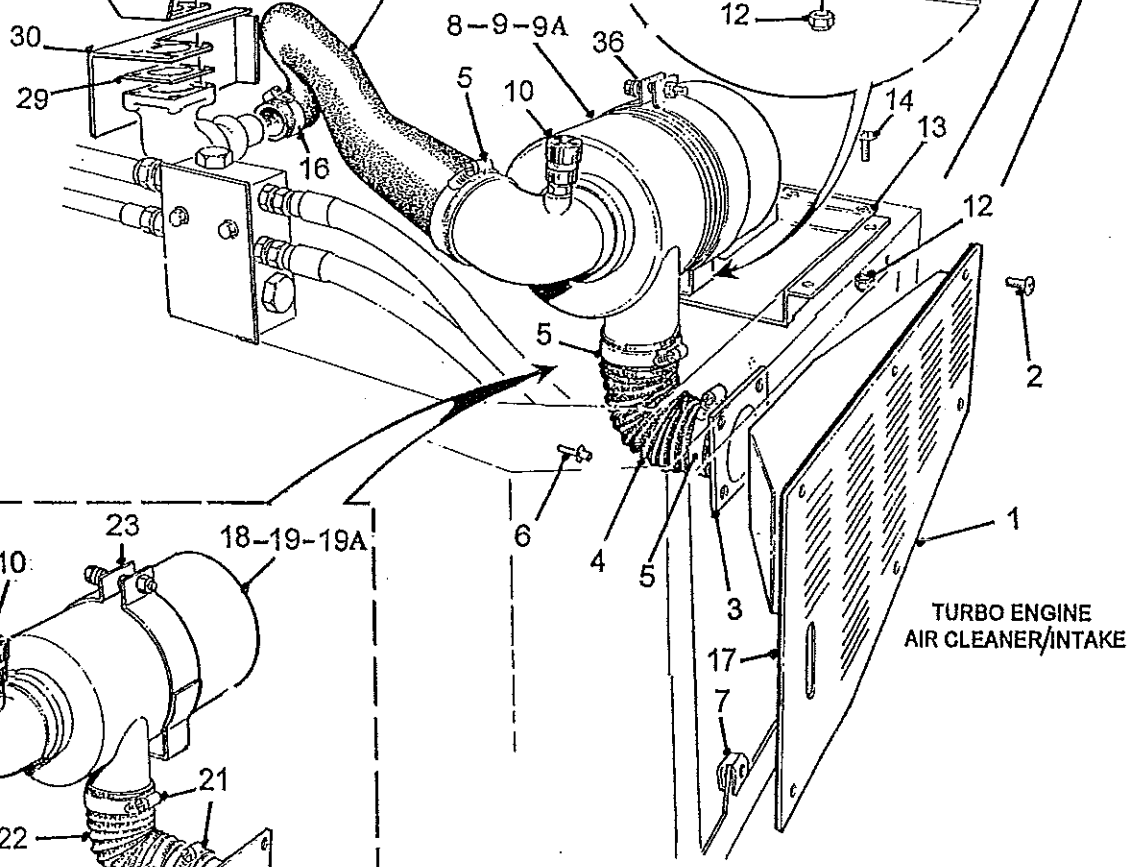
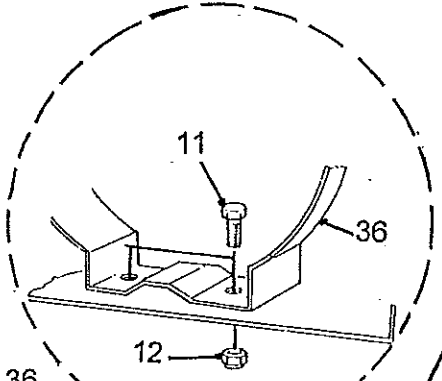
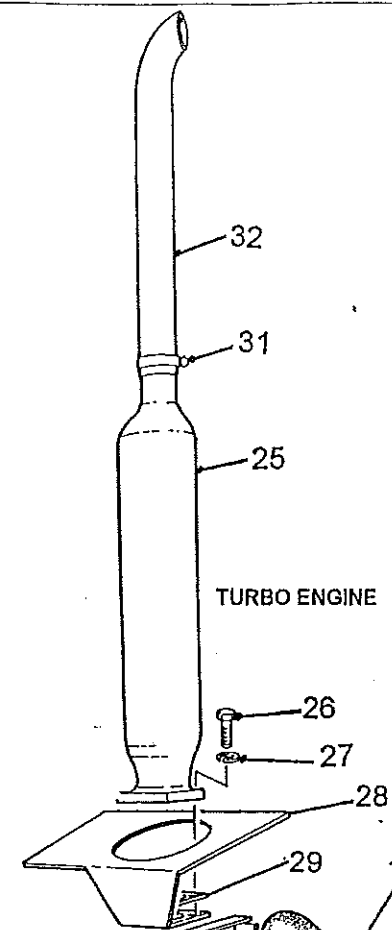
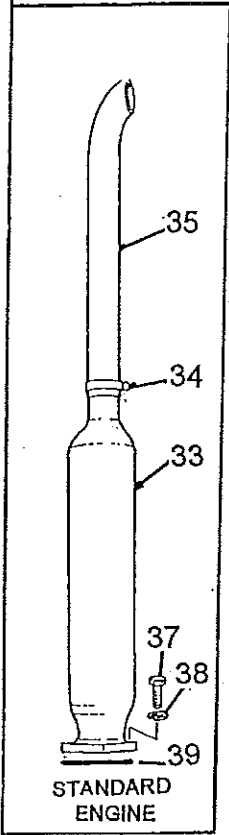
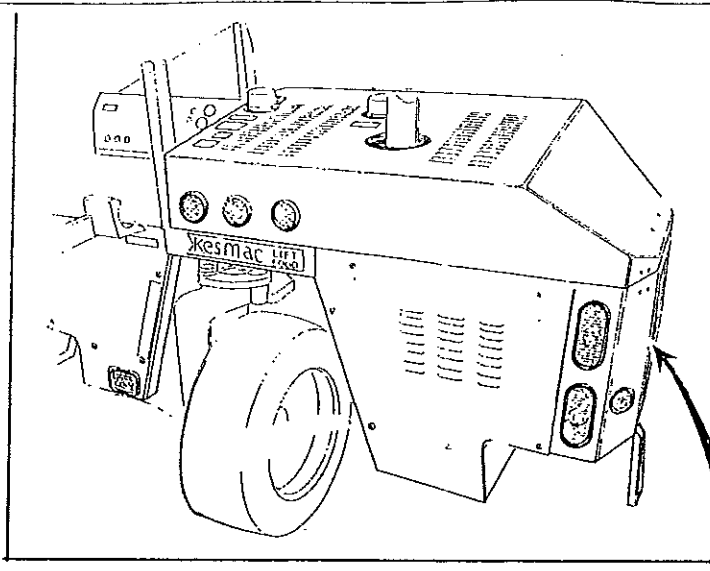




ITEM NO	PART NO	DESCRIPTION	QTY
		COOLING SYSTEM - OIL COOLER/FAN BELT	
1	T300080	Radiator Screen Guard (Std)	1
2	T300081	Radiator Screen Guard (Turbo)	1
3	T100429	Side Baffle (std only)	1
4	F020610	Carriage Bolt 3/8 x 3/4	2
5	T100305	Mounting Bracket - Oil Cooler LH (Std) (not shown)	1
6	T100306	Mounting Bracket - Oil Cooler RH (Std)	1
7	T100307	Mounting Bracket - Oil Cooler RH (Turbo)	1
8	T100308	Mounting Bracket - Oil Cooler LH (Turbo) (not shown)	1
9	F320600	Flat Washer 3/8	1
10	F210600	Nut Nyloc 3/8	2
11	KH40008	Oil Cooler Assy	1
12	T100062	Spacer 1/2 in (Std)	2
13	T100428	Spacer 5/8 in (Turbo)	2
14	F010410	Bolt 1/4 x 1 UNC	1
15	F210400	Nut Nyloc 1/4	2
16	F320400	Flat Washer 1/4	4
17	T100486	Bracket - Radiator Support (Turbo)	1
18	T100329	Bracket - Radiator Support (Std)	1
19	F010406	Bolt 1/4 x 3/4 UNC	1
20	KM99003	Grommet	1
21		Bolt 8mm x 32mm (std. Engine)	4
22	F310600	Lockwasher	4
23	KE70001	Sender - Water Temp	1
24		Mounting Bracket (Kubota part)	2
25	T300013	Engine & Radiator Mounting Bracket	1
26	KK10001	Fan Belt (Not Illustrated)	1
27	KK10017	Radiator. Standard Engine	1
28	KK10018	Radiator. Turbo Engine	1
29		Bolt 8mm x 44mm (Turbo Engine)	2
30		Bolt 8mm x 32mm (Turbo Engine)	2
31	T100912	Bracket - Radiator Mount	1
32	G0108015	Bolt M8 x 1:25 x 15	2
33	G311000	Lockwasher	2
	T500057	Block Heater (Includes KH10019 & KH90001 Fittings) not shown	

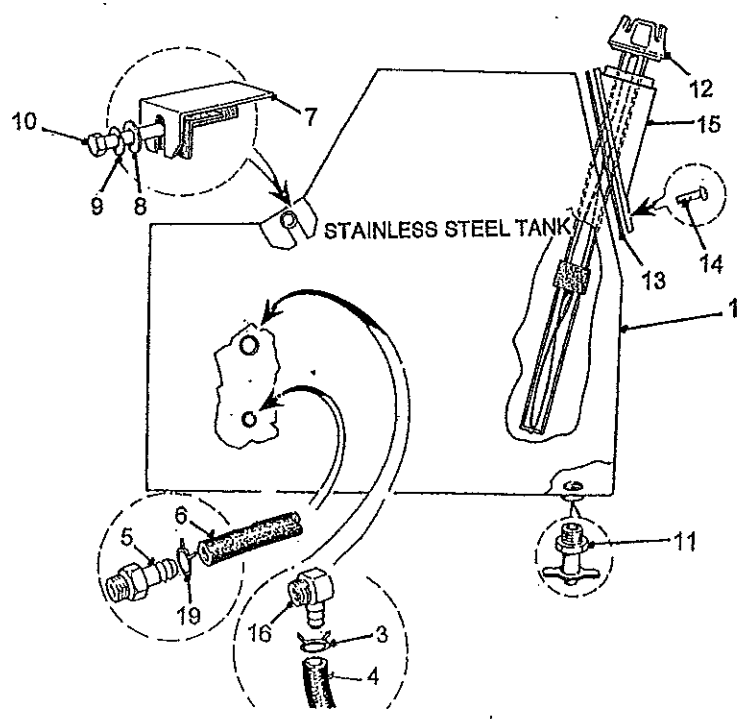
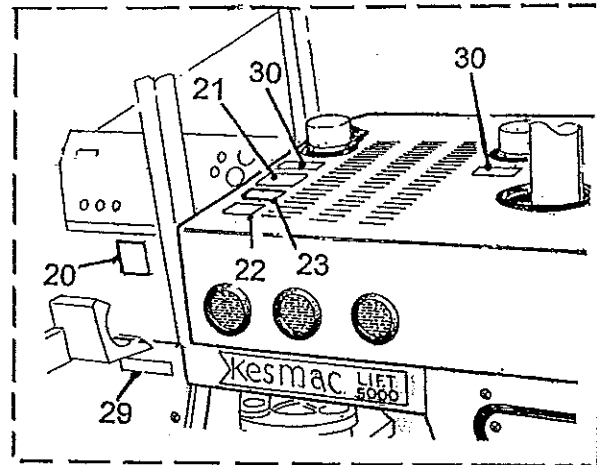
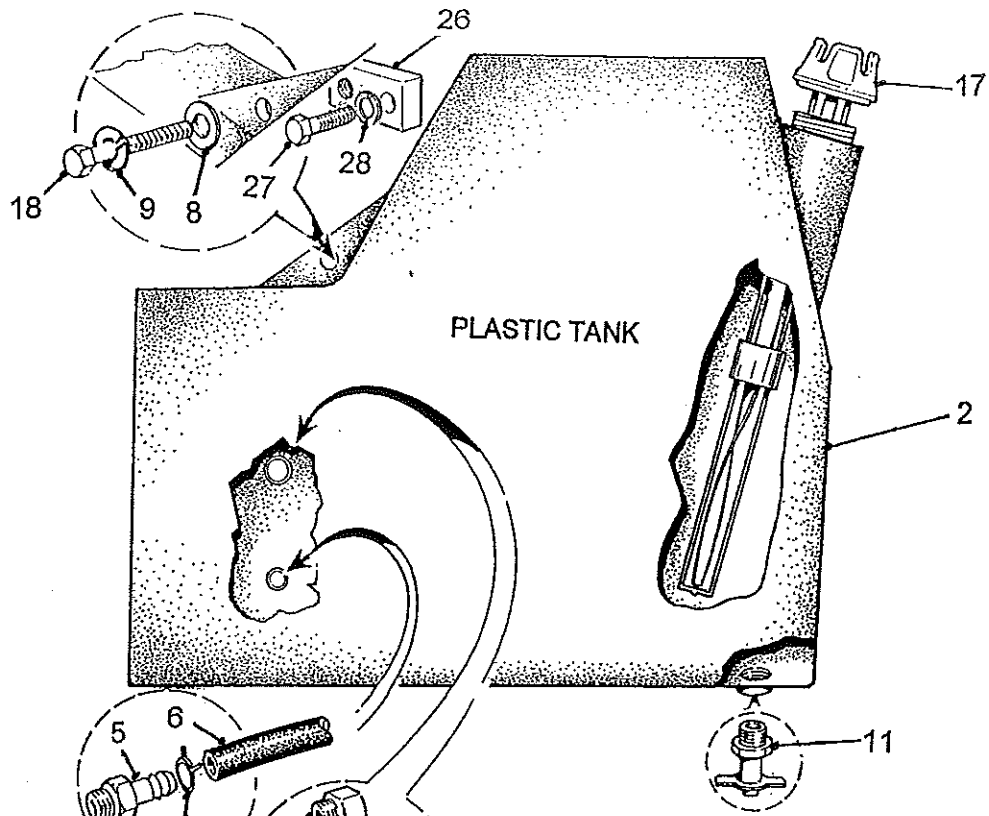


ITEM NO	PART NO	DESCRIPTION	QTY
		KUBOTA AIR CLEANER / INTAKE ASSY (STANDARD ENGINE)	
1	KK10004	Air Cleaner Assy	1
2	KK10005	Element, Air Cleaner	1
3	T100250	Bracket - Air Cleaner Mount	1
4	F430400	Lock Washer	3
5		Bolt. 8mm x 19mm	3
6	KU02024	Clamp - Hose Air Cleaner to engine	2
7	T100497	Hose - Air Intake	1
8	T300096	Flange - Air Intake	1
9	F570406	Bolt - Pan Head	4
10	F430400	Lock Washer	4
11	F240400	Nut Nyloc	4
12		Clamp (See Kubota manual) c/w Bolt & Washer	1
13	F010414	Bolt	1
14	F410400	Flatwasher	1
15	T100148	Hose - Air Cleaner to Engine	1
16	KK10007	Filter Cap - Air Intake	1
17	KU03020	Hose Clamp Tridel 32 1.5 in - 2.5 in	2

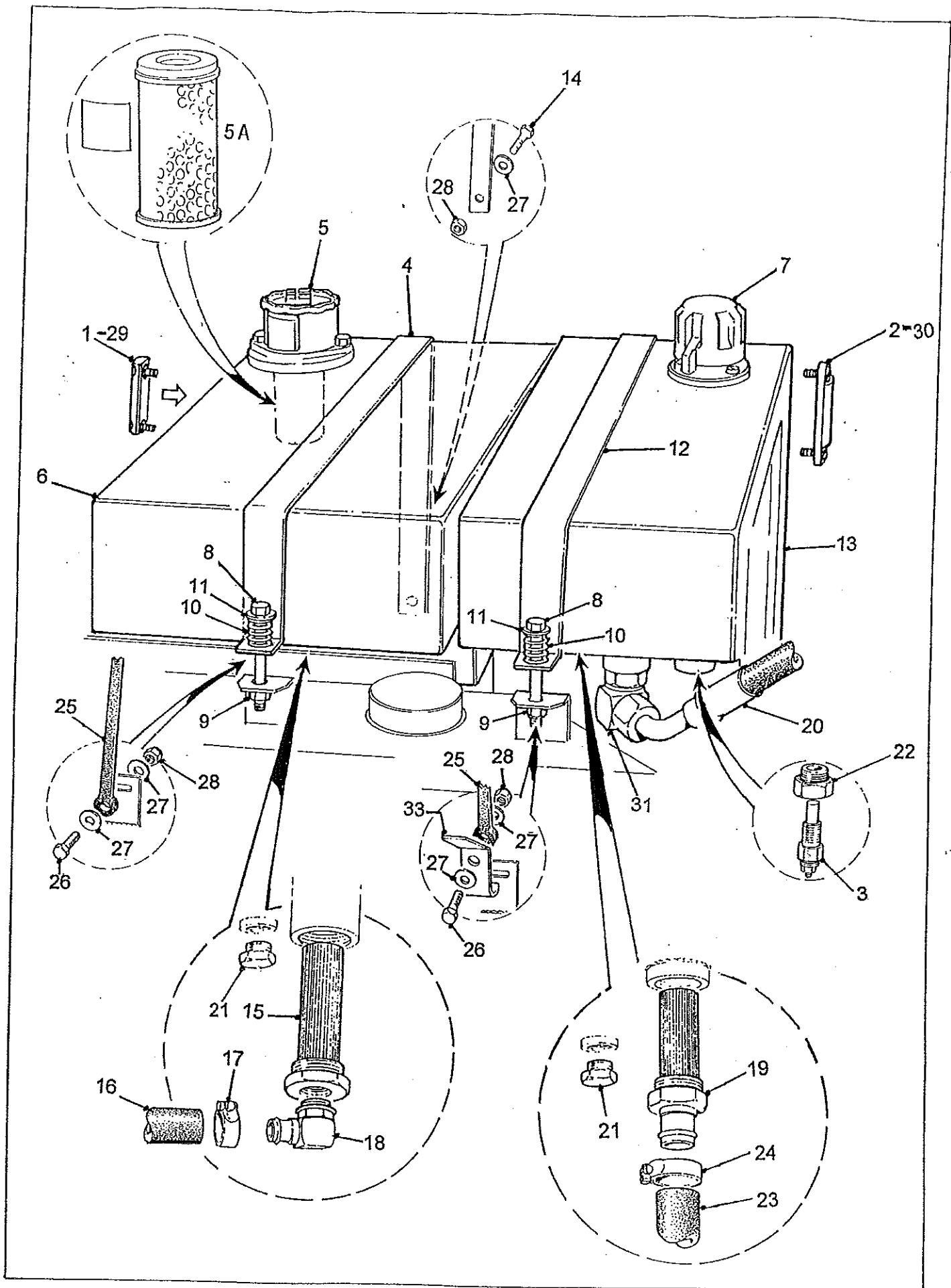


NOTE  
See Page 50 for Filter Indicator

ITEM NO	PART NO	DESCRIPTION	QTY
		DONALDSON AIR CLEANER/INTAKE - ONE PIECE HOOD	
		TURBO AND STANDARD ENGINE	
1	T300097	Side Intake Panel	1
2	F540406	Screw 1/4x 3/4in s/s	6
3	T300099	Intake Flange (Turbo Engine)	1
4	T100810	Hose Intake to Air Cleaner	1
5	KU03021	Hose Clamp (P143422)	3
6		Rivet 1/8	4
7	F240400	Clip Nut 1/4	2
8	KK99019	Air Cleaner Assy (Turbo Engine)	1
9	KK99020	Inner Element - Air cleaner	1
9A	KK99021	Outer Element - Air Cleaner	1
10	KK99023	Indicator - Air Cleaner	1
11	F010506	Bolt 5/16 x 3/4	2
12	F210500	Lock Nut 5/16	2
13	T100743	Mounting Plate - Air Cleaner	1
14	F540406	Screw 1/4 - 3/4in s/s	4
15	T100729	Hose - Air Cleaner to Turbo. See Page 27 in Supplement	1
16	KU03022	Hose Clamp 1 - 2 in (Trident)	1
17	Q8351	Rubber Strip	A/R
18	KK99014	Air Cleaner Assy. - Standard Engine	1
19	KK99015	Inner Element - Air Cleaner	1
19A	KK99016	Outer Element - Air Cleaner	1
20	T100730	Hose - Air Cleaner To Manifold	1
21	KU03020	Hose Clamp - 1.5 - 2.5 in (Trident)	4
22	T100811	Hose - Air Cleaner to Intake Flange	1
23	KK99017	Mounting Band Assy. Air Cleaner Std. Engine	1
24	T300098	Intake Flange Standard Engine	1
25	KK10010	Muffler - Turbo Engine	1
26		Bolt - 8mm - 30mm	4
27		Lockwasher 8mm	4
28	T300120	Filler Plate	1
29	KK10016	Gasket - Exhaust - Turbo Engine	2
30	T100494	Heat Shield - Turbo Engine	1
31	KK10015	Exhaust Clamp Turbo Engine	1
32	KK10012	Tail Pipe - Turbo Engine	1
33	KK10009	Muffler - Standard Engine	1
34	KK10014	Exhaust Clamp - Standard Engine	1
35	KK10011	Tail Pipe - Standard Engine	1
36	KK99022	Mounting Band Assy - Air Cleaner - Turbo Engine	1
37		Bolt - 8mm - 19mm	4
38		Lockwasher - 8mm	4
39	KK10016	Exhaust Gasket - Standard Engine	1



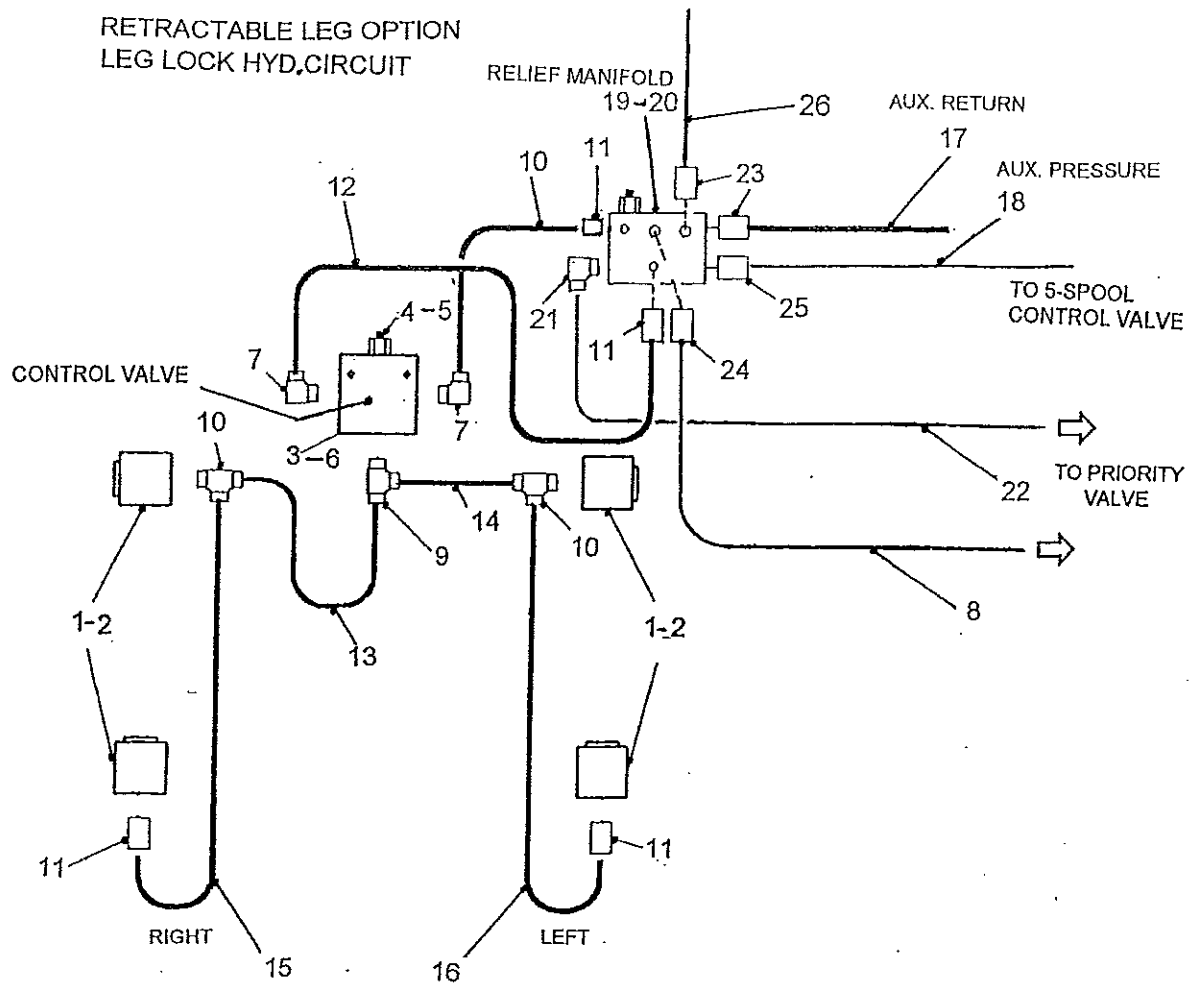
ITEM NO	PART NO	DESCRIPTION	QTY
		FUEL TANK & FITTINGS .	
1	T300018	Fuel Tank - Stainless Steel. ( see footnote)	1
2	T100431	Fuel Tank - Plastic	1
3	KU04003	Hose Clamp	1
4	T100651	Hose - Return	1
5	KH90001	Fittings - Straight Barb	1
6	T100652	Hose - Suction	1
7	T100359	Bracket - Tank Hold Down (Stainless Tank)	1
8	F320600	Flat Washer	2
9	F310600	Lock Washer	2
10	F010660	Bolt	1
11	KH50001	Drain Cock	1
12	KM10024	Cap - Filler c/w Gauge (stainless Tank)	1
13	T100731	Gasket	1
14	F180410	Bolt - 1/4 Button Hd	6
15	K40011	Filler Neck - Stainless Tank	1
16	KH90002	Fitting 90 deg. Elbow	1
17	KM10025	Cap - Filler - c/w Gauge (plastic Tank)	1
18	F010634	Bolt - Tank Securing (Plastic Tank)	1
19	KU04005	Hose Clamp	1
20	D001-028	Decal - "Before Dismounting..."	1
21	D001-046	Decal - "Capacity Load Chart..."	1
22	D001-015	Decal - "Peligro..."	1
23	D001-037	Decal - "To Prevent Serious Injury"	1
24	KK10002	Fuel Filter (70000-43080) Up to Unit #15 (Not Illustrated) See Page 28	
25	KK10003	Fuel Filter (16631-43560) From Unit #16 (Not Illustrated)	
26	T100360	Spacer Block	
27		Bolt	1
28		Lockwasher	
29	D001-023	Decal - "Diesel Fuel"	1
30	D001-022	Decal - "Hydraulic Oil"	
		Note	
		When replacing stainless steel Fuel tank with Plastic tank items 17, 26, 27, 28, 18 & 9 must be orderd. Also Decals 21, 22 & 23 must be ordered and placed on the hood/tank cover as shown	



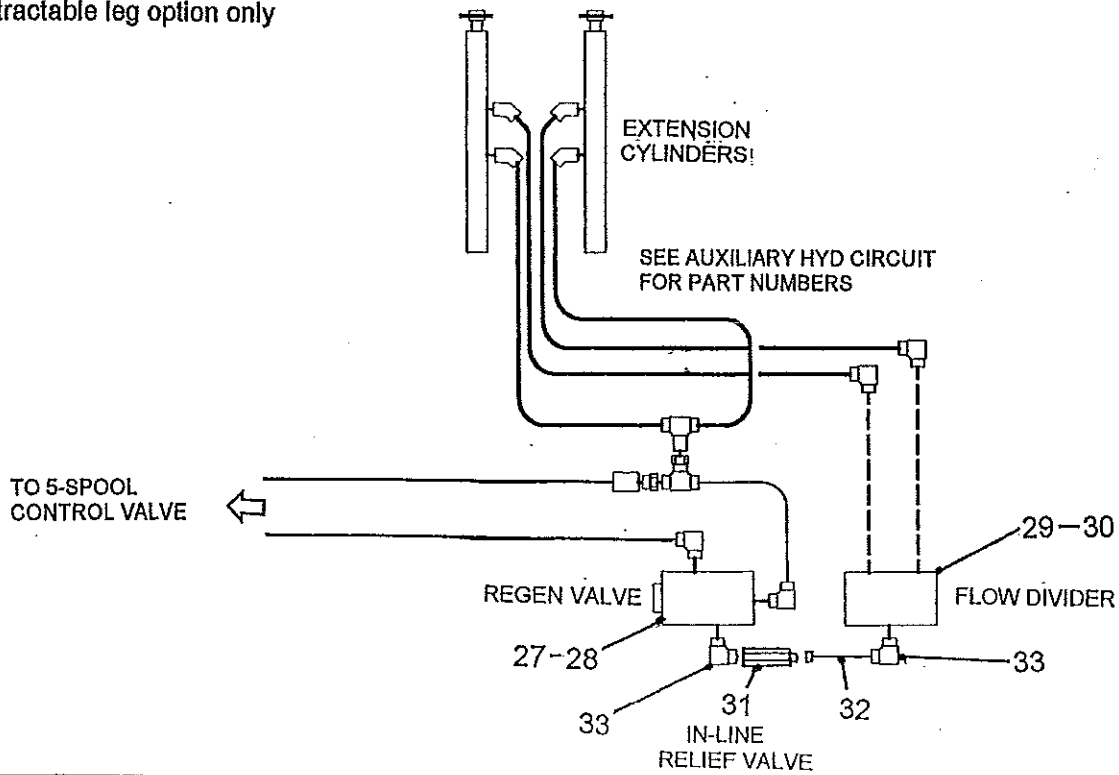


ITEM NO	PART NO	DESCRIPTION	QTY
		HYDRAULIC TANKS AUXILIARY & DRIVE	
1	KH10002	Level Gauge / Thermometer C/W "O" Ring	1
2	KH10003	Level Gauge c/w "O" Rings	1
3	KE70003	Temperature Sender	1
4	T100732	Strap - Tank Hold Down (see item 25, Supercedes metal strap)	1
5	KH40014	Filler - Breather/Filter	1
5A	KH40010	Filter Element & Air Breather Screen	1
6	T300020	Hydraulic Tank - Auxilliary System	1
7	KH40003	Cap W/Locking Tabs C/W screen Filter	1
8	F010524	Bolt	3
9	F210500	Nut - Nyloc	4
10	KS10001	Spring	3
11	F410600	Flat Washer	4
12	T100372	Strap - Tank Hold Down (see item 25, Supercedes metal strap)	1
13	T300019	Tank - Drive System	1
14	F010506	Bolt	1
15	KH40013	Filter - In Tank ( Auxilliary System) KH 40012 - non current	1
16	T100595	Hose	1
17	KM60005	Hose Clamp	1
18	16-16-430292	90 deg. Elbow - 1 in. hose Barb to No. 16 "O"Ring Boss	1
19	KH40007	Filter - In Tank (Drive System)	1
20	T100352	Hose Assy	1
21	12-090109A	"O" Ring Plug No. 12	2
22	T100456	"O" Ring Fitting Plug No. 12 Modified	1
23	T100595	Hose	1
24	KM60006	Hose Clamp	1
25	T500019	Tank Hold Down - Rubber c/w Bushing	2
26	F010410	Bolt	2
27	F320400	Flatwasher	4
28	F210400	Nyloc Nut	2
29	KH80007	"O" Ring - Level Gauge	4
30	KH80003	"O" Ring - Level Gauge	4
31	KH40006	Filter Assy - Drive <span style="border: 1px solid black; padding: 2px;">See Page 49</span>	1
32	KH99002	Filter Cartridge	1
33	T100733	Clp	2
34	12-12-070220	No. 12 "O" Ring. 90 deg Elbow	1

**RETRACTABLE LEG OPTION  
LEG LOCK HYD. CIRCUIT**



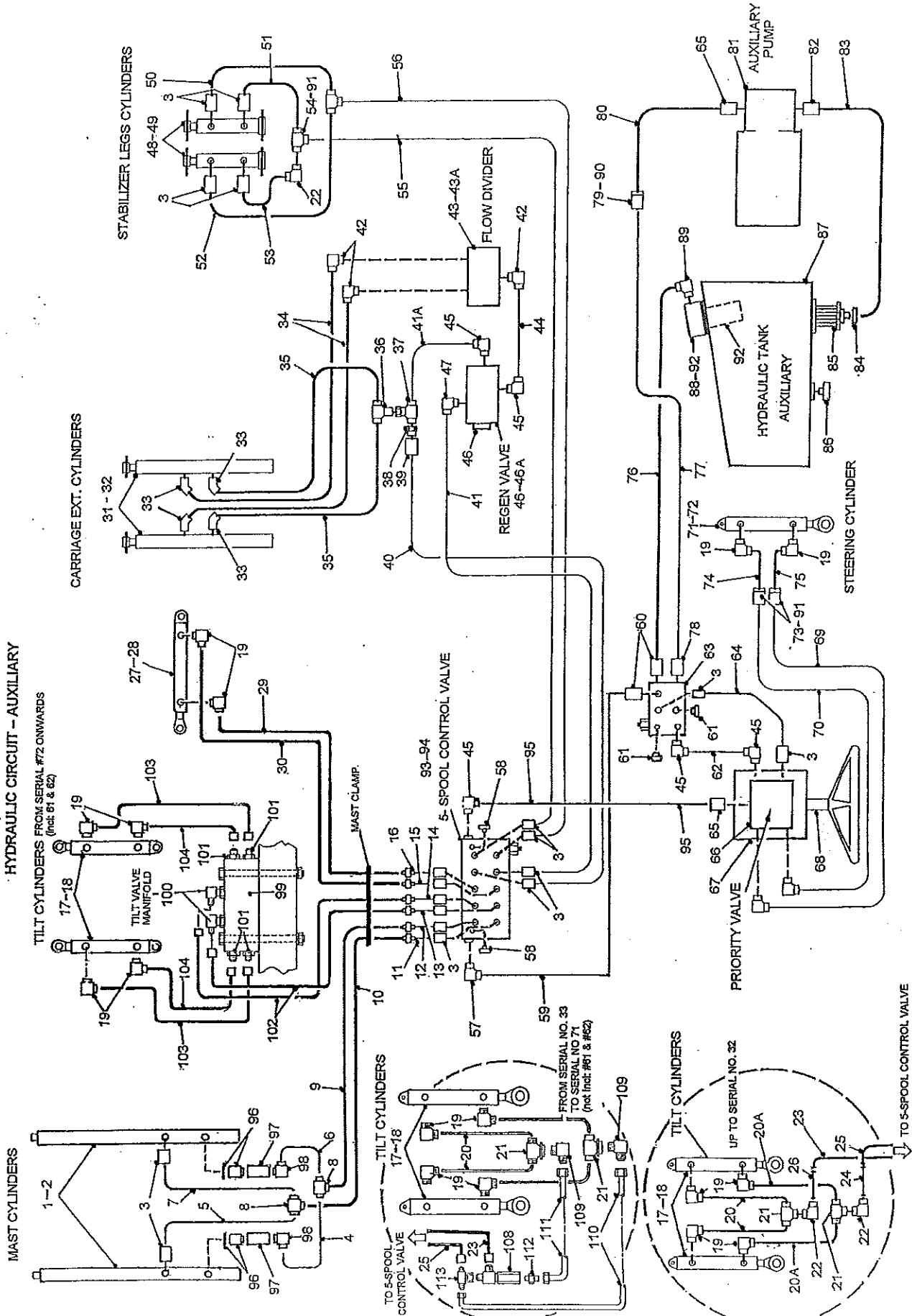
**IN-LINE RELIEF VALVE  
Retractable leg option only**



ITEM NO	PART NO	DESCRIPTION	QTY
		RETRACTABLE LEG, LEG LOCK. HYD	
1	T500004	Cylinder - Leg Lock	4
2	U21308	Seal Kit - Leg Lock Cylinder	1
3	KH20018	Control Valve - Retractable Leg	1
4	KH20019	Solenoid Coil	1
5	KH20020	Solenoid Cartridge	2
6	KH70007	Seal Kit - Selenoid valve	1
7	8-4-07220	No 6 to No. 4 90 deg Elbow	2
8	T100510	Tube Assembly - To Priority Valve	1
9	6-6-6-070428	Tee Run No. 6	1
10	4-4-4-070725	Tee No. 4	2
11	4-4-070120	No. 4 Connector - Straight	4
12	T100634	Hose Assy	2
13	T100635	Hose Assembly	1
14	T100636	Hose Assembly	1
15	T100622	Hose Assembly Leg Lock Cyl. RH	1
16	T100623	Hose Assembly Leg Lock Cyl. LH	1
17	T100538	Hose Assembly Aux. Return	1
18	T100533	Tube Assembly - Aux Pressure	1
19	KH20010	Relief Manifold	1
20	KH70004	Seal Kit - Relief Manifold	1
21	8-8-07220	Elbow No. 8 "O" Ring	1
22	T100508	Tube Assembly - To Priority Valve	1
23	10-10-070120	Connector #10	2
24	6-6-070120	Connector #6	1
25	8-8-070120	Connector #8	1
26	T100507	Tube Assembly - Stack Valve Return	1
27	KH40005	Regen Valve	1
28	KH70003	Seal Kit - Regen Valve	1
29	KH20009	Flow Divider	1
30	KH70002	Seal Kit - Flow Divider	1
31	KH20008	In Line Relief Valve	1
32	T100624	Tube Assembly	1
33	KH90003	Elbow 90 deg. "O"Ring Boss to "O" Ring Boss	2

# HYDRAULIC CIRCUIT AUXILIARY

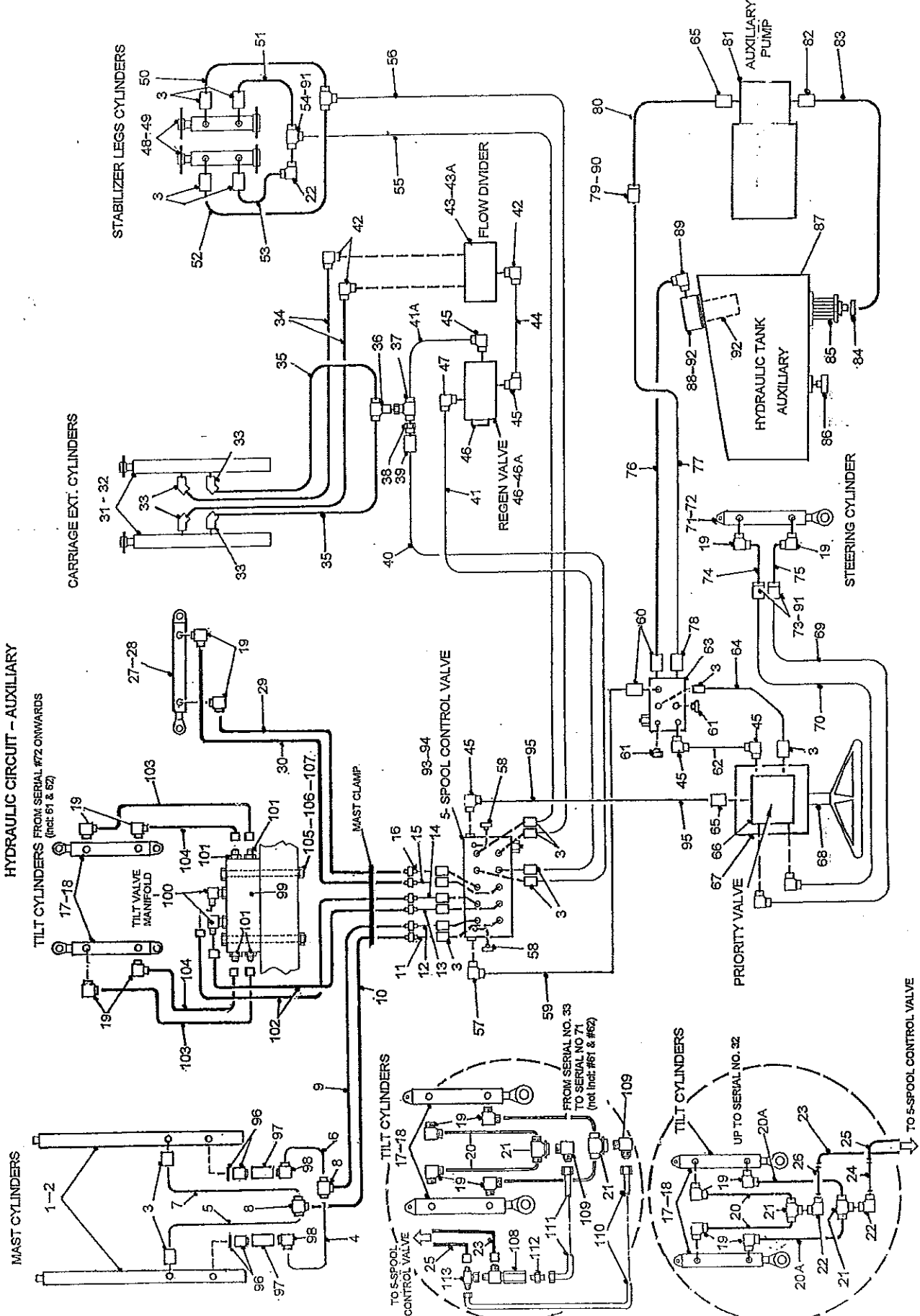
## HYDRAULIC CIRCUIT - AUXILIARY



ITEM NO	PART NO	DESCRIPTION	QTY
		HYDRAULIC CIRCUIT AUXILIARY	
1	T500005	Mast Cylinder 10 ft Lift 2 1/4 Bore	2
	T500013	Mast Cylinder 10 ft Lift 2 1/2 Bore	2
	T500015	Mast Cylinder 12 ft Lift 2 1/2 Bore	2
2	U19141	Seal Kit - Mast Cylinder 2 1/4 Bore	1
	U17570	Seal Kit - Mast Cylinder 10 and 12 ft Lift 2 1/2 Bore	1
3	6-6-070120	No. 6 Connector	18
4	T100611	Tube Assy	1
5	T100561	Tube Assy	1
6	T100609	Tube Assy	1
7	T100563	Tube Assy	1
8	6-6-6-07401	No. 6 Union T	2
9	T100564	Hose 3/8 Assy	1
10	T100565	Hose 3/8 Assy	1
11	T100543	Tube Assy	1
12	T100544	Tube Assy	1
13	T100545	Tube Assy	1
14	T100546	Tube Assy	1
15	T100547	Tube Assy	1
16	T100548	Tube Assy	1
17	T500016	Tilt Cylinder	2
18	U17587	Seal Kit - Tilt Cyl	1
19	6-6-070220	No. 6 90 deg. Elbow - 'O' Ring	13
20	T100572	Hose Assy	2
20A	T100570	Hose Assy	1
21	6-6-6-070959	No. 6 Branch T - Bulkhead	2
22	6-6-070221	No. 6 90 deg Swivel Elbow	2
23	T100569	Hose Assy	1
24	T100537	Tube Assy	1
25	T100568	Hose Assy	1
26	T100536	Tube Assy	1
27	T500003	Side Shift Cylinder	1
28	U17587	Seal Kit - Side Shift Cyl.	1
29	T100567	Hose Assy	1
30	T100566	Hose Assy	1
31	T500002	Carriage Cylinder	2
32	U19141	Seal Kit - Side Shift Cyl.	1
33	8-6-070320	No. 10. Elbow 45 Deg	4
34	T100505	Hose Assy	2
35	T100503	Hose Assy	2
36	8-8-8-070959	No. 8 Bulkhead Tee	1
37	8-8-8-070433	No. 8 Swivel Nut Branch Tee	1
38	8-6-070123	No. 8 to No. 6 Reducer	1
39	8-070110	No. 8 Tube Nut	1

# HYDRAULIC CIRCUIT AUXILIARY

## HYDRAULIC CIRCUIT - AUXILIARY

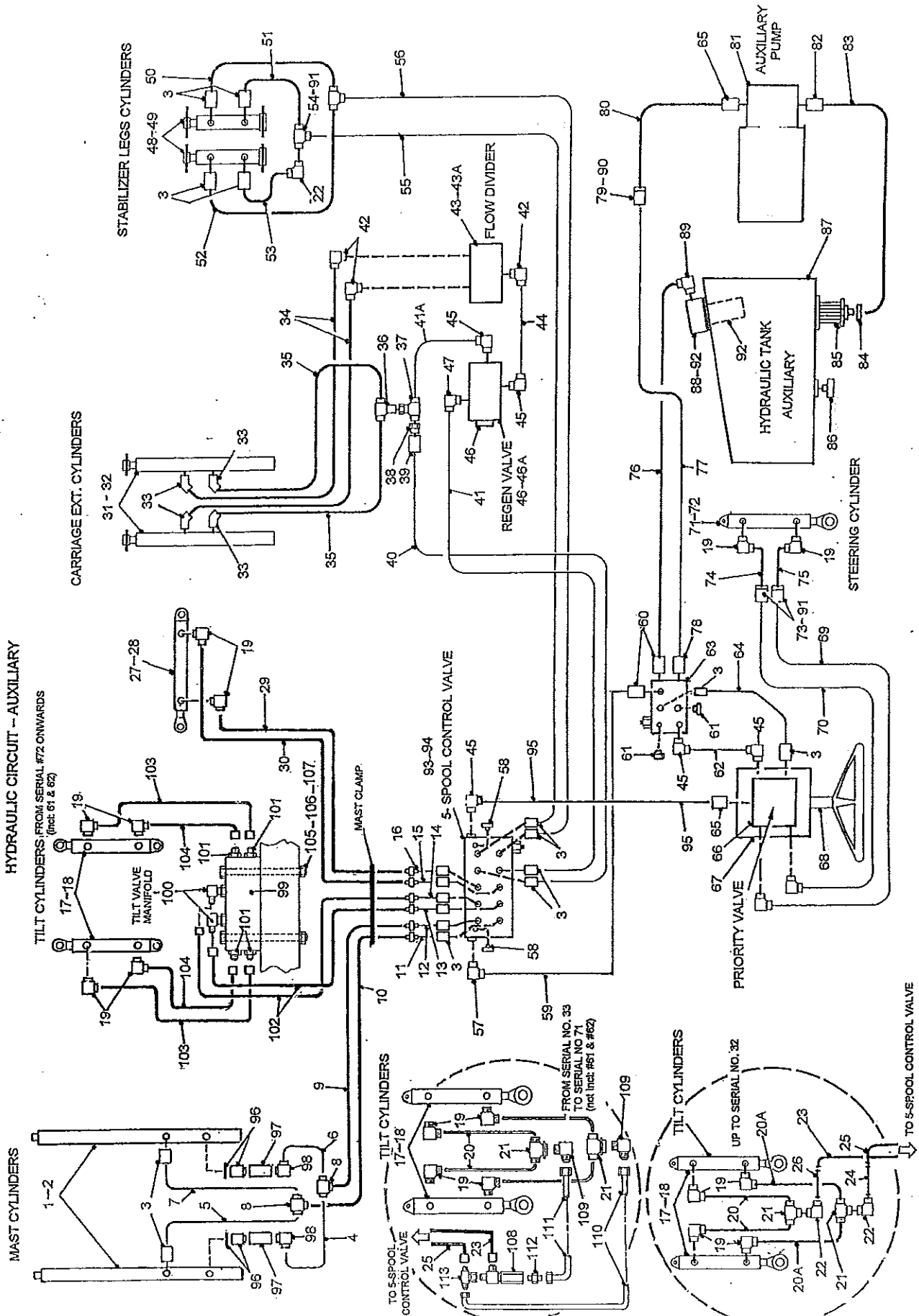


ITEM NO	PART NO	DESCRIPTION	QTY
		HYDRAULIC CIRCUIT AUXILIARY	
40	T100550	Tube Assy	1
41	T100526	Tube Assy	1
41A	T100511	Tube Assy	1
42	8-10-070220	No 8 Tube to No. 10 90 deg. Elbow	4
43	KH20009	Flow Divider (From Unit 1 to 120 only) <b>See Note</b>	1
43A	KH70002	Seal Kit - Flow Divider	1
44	T100512	Tube Assy 1/2 in	1
45	8-8-070220	No. 8 'O' Ring 90 deg. Elbow	4
46	KH40005	Regen Valve (up to unit 132)	1
46A	KH70003	Seal Kit - Regen Valve	1
47	6-8-070220	No. 6 Tube to 90 deg Elbow	
48	T500001	Stabilizer Cylinder	2
49	U17570	Seal Kit Stabilizer Cyl.	1
50	T100581	Hose Assy - Fixed Leg	1
	T100618	Hose Assy - Retractable Leg	1
51	T100582	Hose Assy - Fixed Leg	1
	T100619	Hose Assy - Retractable Leg	1
52	T100579	Hose Assy - Fixed Leg	1
	T100616	Hose Assy - Retractable Leg	1
53	T100580	Hose Assy - Fixed Leg	1
	T100617	Hose Assy - Retractable Leg	1
54	6-6-6-070958	No. 6 Bulkhead Run Tee	2
55	T100552	Tube Assy	1
56	T100551	Tube Assy	1
57	10-8-070220	No. 10 Tube to No. 8 Tube Connection	1
58	6-090109A	No. 6 'O' Ring Plug	2
59	T100557	Tube Assy	1
60	10-10-070120	No. 10 connector	2
61	4-090109A	No. 4 'O' ring Plug	2
62	T100508	Tube Assy	1
63	KH20010	Relief Manifold	1
63A	KH70004	Seal Kit - Relief Manifold	1
64	T100510	Tube Assy	1
65	8-10-070120	No. 8 Tube to No. 10 Connector	2
66	KH20001	Priority Valve	1
66A	KH70005	Seal kit- Steering Unit to Priority Valve	1
67	KH20002	Steering Unit	1
68	KM20003	Steering Column	1
69	T500513	Tube Assy	1
70	T500514	Tube Assy	1
71	T500011	Steering Cylinder (See page 16 for assembly)	1
72	U17587	Seal Kit - Steering Cylinder	1
73	6-6-070601	No. 6 Bulkhead Union	2
74	T100515	Hose Assy Steering RH	1
75	T100516	Hose Assy Steering LH	1

**NOTE**

Flow Divider from Serial No. 121 to 132 is KH20034

HYDRAULIC CIRCUIT AUXILIARY

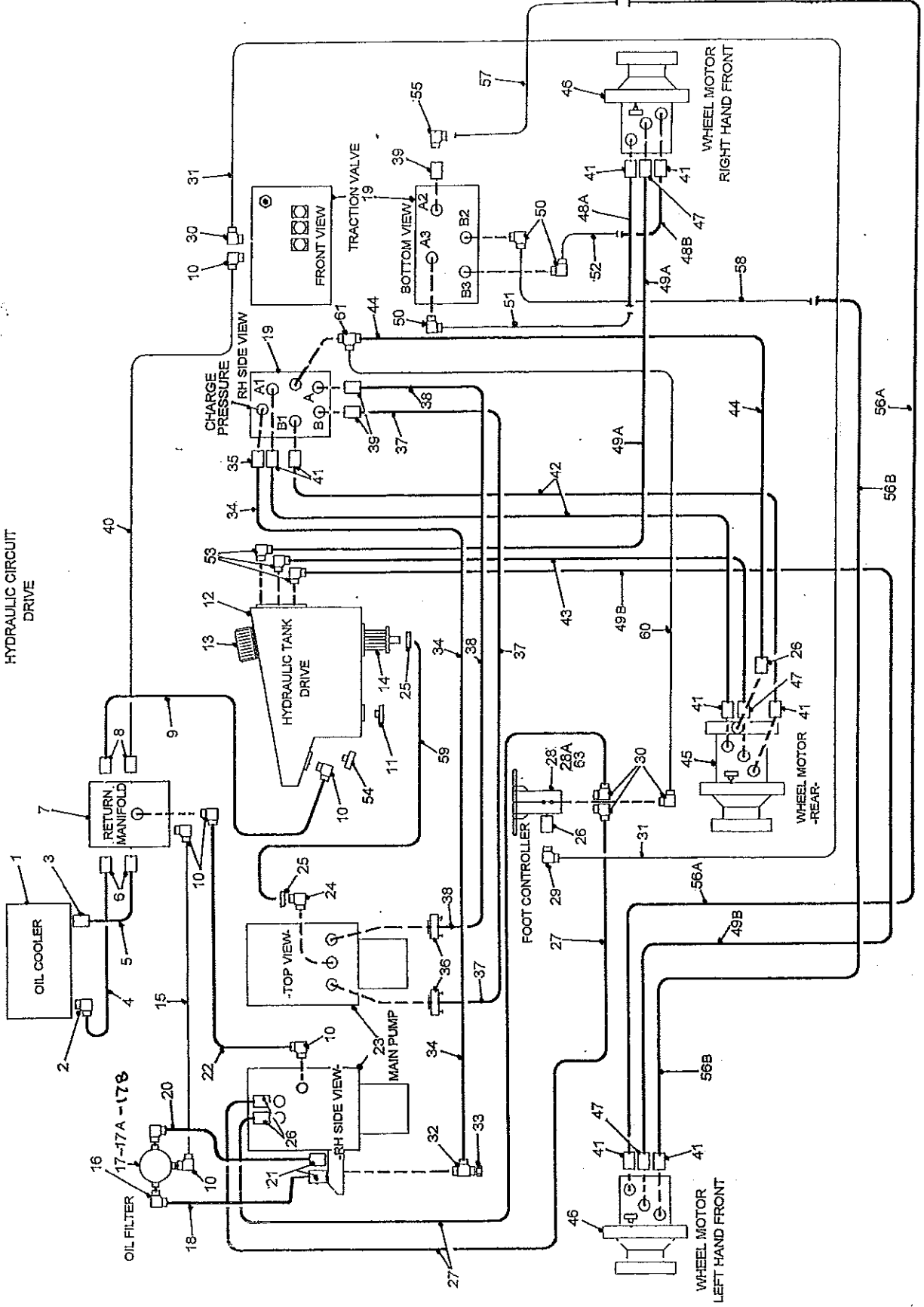




ITEM NO	PART NO	DESCRIPTION	QTY
		HYDRAULIC CIRCUIT - AUXILIARY	
76	T100558	Hose Assy	1
77	T100540	Tube Assy Aux. Return (From Unit Serial No. 120)	1
77A	T100541	Tube Assy Aux. Return (From Unit Serial No. 120)	
78	8-8-070120	No. 8 Connector	1
79	8-8-070601	No. 8 Bulkhead Union	1
80	T100597	Hose Assy - Aux. Pressure	1
81	KH30005	Auxiliary Pump SPNZ/17SSC06 (From Unit 120)	
81A	KH80004	Shaft Seal - Auxiliary Pump	1
81B	KH80001	'O' Ring, Auxiliary Pump Mounting	1
82	16-12-070120	No. 16 to No. 12 Connector	1
83	T100595	Hose Assy - Suction	1
84	M6 36-39	Hose Clamp	1
85	KH40012	In-Tank Strainer	1
86	12-090109A	No 12 'O' Ring Plug	2
87	T300020	Hydraulic Tank Auxiliary	1
88	KH40014	Tank Top Filter/Breather Assy	1
89	10-12-070220	No 10 Tube to No. 12 90 deg Elbow Connector	1
90	8-070110	Bulkhead Nut No. 8	3
91	6-070118	Bulkhead Nut No. 6	2
92	KH40010	Filter Cartridge & Air Filter (for Item 88)	1
93	KH20032	Control Valve - 5 Spool (From Unit 120)	1
	KH20033	Control Valve - 6 Spool	
94	KH70016	Control Valve Seal Kit (5 & 6 Spool)	1
95	T100542	Tube Assy.	1
96	T100644	Fitting c/w "O"Ring	2
97	KH20021	Velocity Fuse 28000-103-15	2
98	6-6-070202	Fitting 90 deg. Elbow. 3/8 tube to 3/8 M/Pipe	2
99	KH20035	Tilt Valve Manifold (From Unit Serial No. 120)	1
100	6-6-070120	Fittings	2
101	6-6-070120	Fittings	4
102	T100639	Hose Assy	2
103	T100625	Hose Assy	2
104	T100626	Hose Assy	2
105	F01044	Cap Screw 1/4 x 4 1/2	2
106	F320400	Flatwasher 1/4	2
107	F210400	Nyloc Nut 1/4	2
108	MH20003	From Serial No. 32 to Serial No. 71 (less 61 & 62) Pilot operated check valve	1
109	6-6-07221	Fitting 90 deg. Swivel Elbow	2
110	T100536	Tube Assy	1
111	T100537	Tube Assy	1
112	T100643	Fitting Straight (6-6-070120 modified)	1
113	6-6-6-070433	Fitting 3/8 Swivel Tee	1
114	8-8-8-070433	No. 8 Swivel Nut Branch Tee	1
115	8-6-070123	No. 8 to No 6 Reducer	1
116	8-8-8-070959	No. 8 Bulkhead tee	1
117	8-070701	No. 8 Bulkhead Elbow 90 deg. (From Unit Serial No. 120)	1

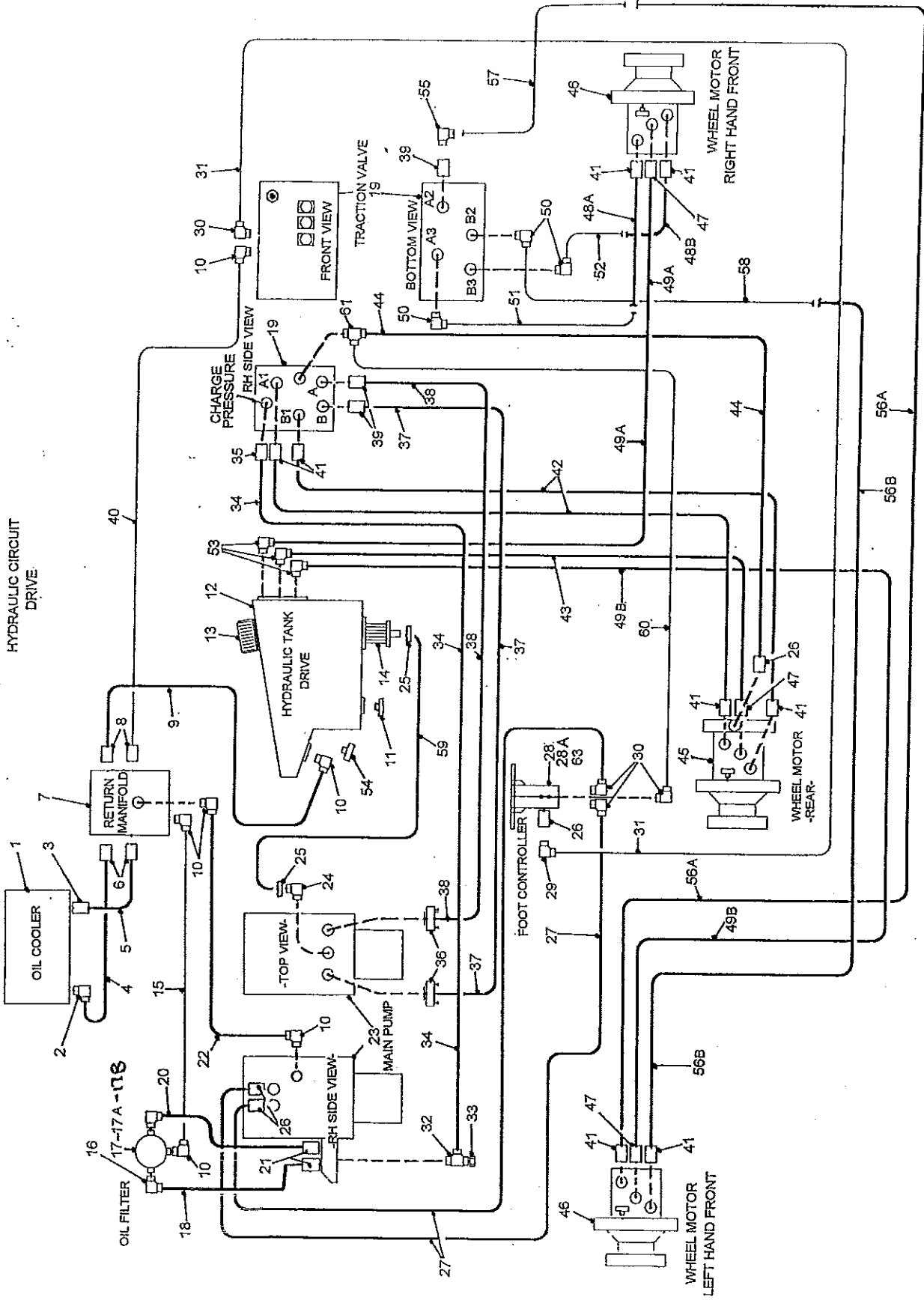
# HYDRAULIC CIRCUIT - DRIVE

HYDRAULIC CIRCUIT  
DRIVE



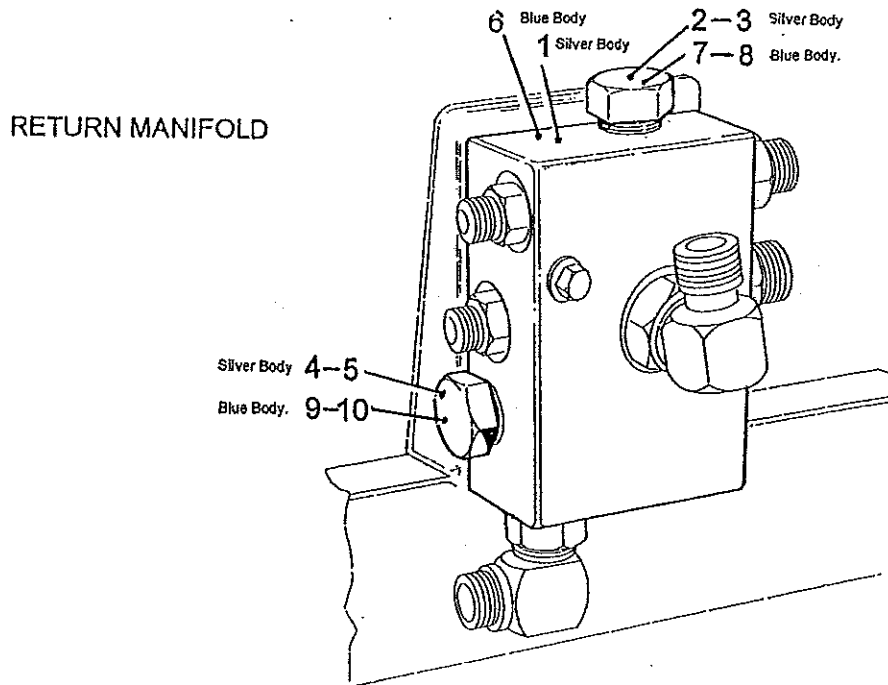
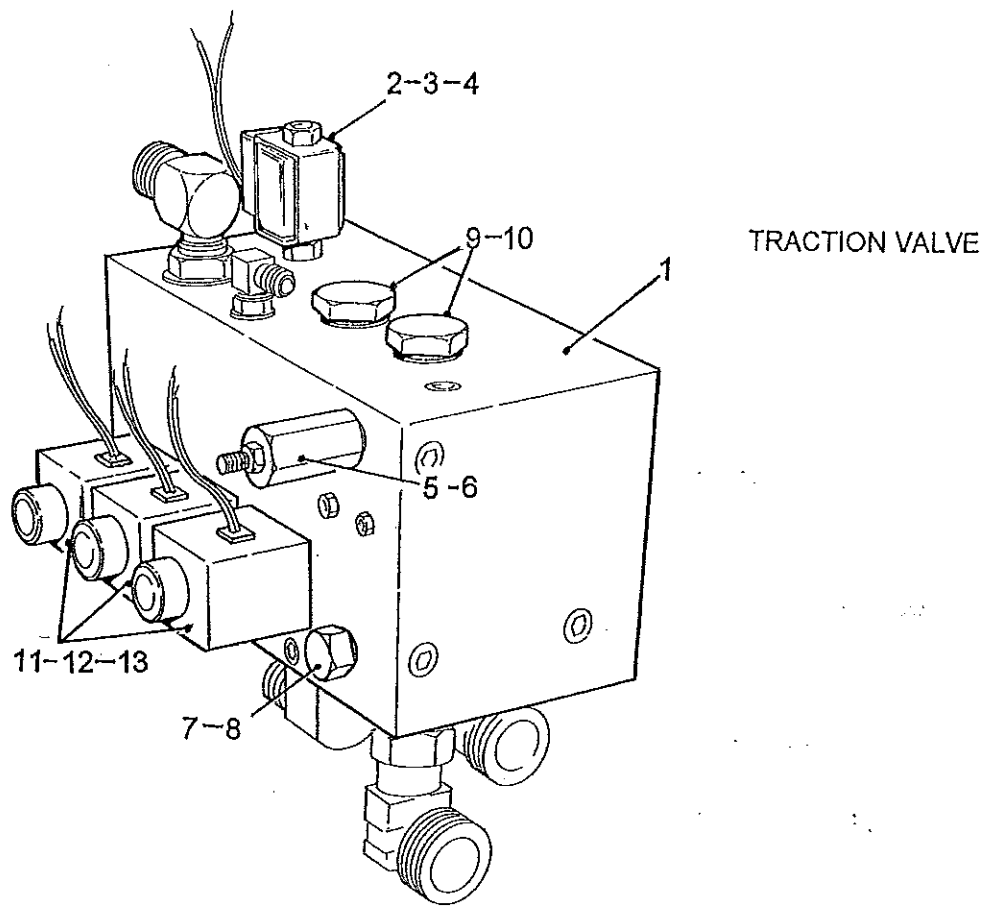
ITEM NO	PART NO	DESCRIPTION	QTY
		HYDRAULIC CIRCUIT - DRIVE	
1	KH40008	Oil Cooler	1
2	8-8-070202	No. 8 Tube to 1/2 in NPT Male 90 deg Elbow	1
3	8-8-070102	No. 8 Male Connector to 1/2 NPT	1
4	T100583	Hose Assy- Oil Cooler	1
5	T100584	Hose Assy - Oil Cooler	1
6	8-8-070120	No. 8 Connector	3
7	KH20014	Return Manifold	1
8	12-12-070120	No. 12 Connector	2
9	T100532	Hose Assy	1
10	12-12-070220	No 12 'O' Ring 90 deg. Elbow	5
11	12-090109A	No 12 'O' Ring Plug	2
12	T300019	Hydraulic Tank Drive	1
13	KH40003	Filler Breather Cap C/W Strainer	1
14	KH40007	Strainer - In Tank	1
15	T100500	Tube Assy Filter Return	1
16	10-12-070220	No. 10 Tube to No. 12 90 deg. Elbow	3
17	KH40006	Filter Assy	1
17A	KH99002	Filter Cartridge	1
17B	KH99003	Filter Indicator	1
18	T100502	Hose Assy.	1
19	KH20011	Traction Valve	1
20	T100501	Hose Assy.	2
21	10-10-070120	No. 10 Connector	1
22	T500585	Hose Assy	1
23	KH30001	Main Pump	1
24	20-16-430292	90 deg. Elbow - 1 1/4 Hose Barb to no. 16 "O"Ring Boss	1
25	M6-44-47	Hose Clamp	2
26	4-6-070120	No. 4 Tube to No. 6 Connector	3
27	T100599	Hose Assy	2
28	KH20012	Foot Controller (HCF-85-285)	1
28A	KH70018	Seal Kit - Foot Controller	1
29	4-4-070221	No. 4 Swivel Nut 90 deg Elbow	1
30	4-6-070220	No. 4 Tube to No. 6 90 deg Elbow	3
31	T100534	Tube Assy Foot Pedal Drain	1
32	6-6-6-070428	No. 6 "O" Ring Run Tee	1
33	6-070112	No. 6 Tube Cap	1
34	T100578	Hose Assy	1
35	6-4-070120	Connector No. 6 Tube to No.4	1
36	16-110162	Split Flange Fitting (SKF62-16)	2

# HYDRAULIC CIRCUIT - DRIVE



HYDRAULIC CIRCUIT  
DRIVE

ITEM NO	PART NO	DESCRIPTION	QTY
37	T100594	Hose Assy.	1
38	T100593	Hose Assy.	1
39	16-16-520120	Connector No. 16	3
40	T100531	Tube Assy	1
41	12-12-520120	Connector NO.12	8
42	T100627	Hose Assy	2
43	T100576	Hose Assy	1
44	T100577	Hose Assy	1
45	KH30004	Hyd. Drive Motor - Rear	1
46	KH30003	Hyd. Drive Motor - Front (see item 62)	2
47	6-8-0070120	Connector No. 6 to No. 8	3
48A	T100646	Hose RH Motor - Left Port to A3. Fixed Leg	1
	T100633	Hose RH Motor - Left Port to A3 Ret. Leg	1
48B	T100648	Hyd. Hose. RH Motor Rear Port to B3 Fixed Leg	1
	T100631	Hose RH Motor Rear Port to B3 Ret. Leg	1
49A	T100574	Hose Fixed Leg	1
	T100637	Hose Fixed Leg	1
49B	T100575	Hose Fixed Leg	1
	T100638	Hose Retractable Leg	1
50	16-520220	Elbow No. 16 90 deg.	3
51	T100603	Tube Assy	1
52	T100604	Tube Assy	1
53	6-6-070220	Elbow No. 6 "O"Ring 90 deg.	3
54	T100456	"O"Ring Plug No. 12 (special)	1
55	16-520221	Elbow No.6	1
56A	T100645	Hose Assy LH Motor Rear Port to A2 Fixed Leg	1
	T100632	Hose Assy LH Motor Rear Port to A2 Ret. Leg	1
56B	T100647	Hose Assy LH Motor Left Port to B2 Fixed Leg	1
	T100630	Hose Assy LH Motor Left Port to B2 Ret Leg	1
57	T100601	Tube Assy	1
58	T100602	Tube Assy	1
59	T10598	Hose Assy	1
60	T100538	Tube Assy	1
61	TF5716x4	Tee	1
62	KH80005	'O' Ring. Motor wheel cover	2
63	KH20013	Plunger Kit - Foot Controller	1



ITEM NO	PART NO	DESCRIPTION	QTY
		TRACTION VALVE	
1	KH20011	Traction Valve Assy	1
2	KH70007	Seal Kit - Solenoid Coil	1
3	KH20019	Solenoid Coil	1
4	KH20020	Solenoid Cartridge	1
5	KH20022	Relief Valve Cartridge Assy	1
6	KH70021	Seal Kit - Relief Valve	1
7	KH20023	Shuttle Valve Assy	1
8	KH70003	Seal Kit - Shuttle Valve	1
9	KH20024	Flow Divider/Combiner Valve Cartridge	1
10	KH70010	Seal Kit - Flow Divider/Combiner Valve	1
11	KH20025	Solenoid Valve Cartridge Assy	3
12	KH70026	Seal kit - Solenoid Valve	3
13	KH20040	Coil - Solenoid Valve	3
		RETURN MANIFOLD	
1	KH20014	Return Manifold (Silver Body)	1
2	KH20029	Relief Valve Cartridge	1
3	KH70028	Seal Kit - Relief Valve	1
4	KH20027	Check Valve Cartridge Assy	1
5	KH70030	Seal Kit - Check Valve	1
6	KH20014	Return Manifold (Blue Body)	1
7	KH20028	Relief Valve Cartridge	1
8	KH70032	Seal Kit - Relief Valve	1
9	KH20030	Check Valve Cartridge Assy	1
10	KH70034	Seal Kit - Check Valve	1
<div style="border: 1px solid black; padding: 5px; width: fit-content; margin: 0 auto;"> <p><b>NOTE:</b> Return Manifold with Silver Body is interchangeable with a Return Manifold with a Blue Body. <u>AS ASSEMBLIES.</u> The relief Valves and Check Valves ARE NOT interchangeable from one valve to the other</p> </div>			

**WARNING**  
**EXPLOSION HAZARD!**  
 Vehicle is equipped with thermostat (glow plug). Do not use starting fluid! Failure to do so could result in death or serious injury.

1

**WARNING**  
**NO RIDERS**  
 Vehicle is to be ridden in operators seat only. Failure to do so could result in death or serious injury.

2

**DANGER**  
 Do not jump in the event of a tip-over.

3

**WARNING**  
**BEFORE DISMOUNTING MACHINE**  
 1. Lower all attachments to ground.  
 2. Place all controls in neutral position.  
 3. Engage parking brake.  
 4. Shut off engine.

4

**WARNING**  
 To Prevent Serious Injury or Death  
 • Avoid unsafe operation or maintenance.  
 • Do not operate or work on this machine without reading and understanding the operator's manual.  
 • If manual is lost, contact your nearest dealer for a new manual.

5

**WARNING**  
**Fasten your seat belt**

6

**DANGER**  
 Do not permit personnel to ride or be elevated on forks or load.

7

**WARNING**  
 Do not service or repair this machine with attachments in the raised position unless they are securely blocked. Failure to do so could result in death or serious injury.

8

**WARNING**  
**HIGH-PRESSURE FLUID HAZARD**  
 To prevent serious injury or death:  
 • Release pressure on system before repairing or adjusting or disconnecting.  
 • Wear proper hand and eye protection when searching for leaks. Use wood or cardboard instead of hands.  
 • Keep all components in good repair.

9

**WARNING**  
**ONLY START VEHICLE FROM OPERATORS SEAT!**  
 Do not cross starter terminals. Failure to observe these instructions could result in death or serious injury.

10

11

**WARNING**  
**STAY CLEAR OF OVERHEAD WIRES**  
 Avoid use of machine near overhead wires. Travel with load in the lowered position. Failure to do so could result in death or serious injury.

14

12

**PELIGRO**  
 Si No Lee Ingles, pida Ayuda a Alguien Que Si Lo Lea Para Que le Traduzca las Medidas de Seguridad.

18

13

**WARNING**  
**CRUSHING HAZARD**  
 To prevent serious injury, stay clear of moving parts.

16

**DIESEL FUEL**

**HYDRAULIC OIL**

15

**DANGER**  
 Do not permit personnel to ride or be elevated on forks or load.

19

**kesmac**

17

**LIFT 4500**

**LIFT 5000**

20

4500R

21

5000F

23

4500F

22

5000R

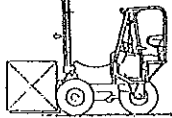
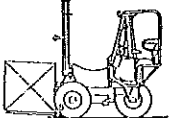
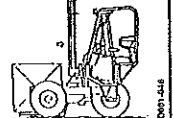
24



ITEM NO	PART NO	DESCRIPTION	QTY
		DECALS	
1	D001-025	Decal "Explosion Hazard"	1
2	D001-031	Decal "No Riders"	1
3	D001-021	Decal "Do Not Jump"	1
4	D001-028	Decal "Before Dismounting"	1
5	D001-037	Decal "To Prevent Serious Injury"	1
6	D001-019	Decal "Fasten Your Seatbelt"	1
7	D001-024	Decal "Do Not Permit Riders"	
8	D001-029	Decal "Do Not Repair "	1
9	D001-036	Decal "High Pressure Fluid Hazard"	1
10	D001-027	Decal "Only Start Vehicle..."	1
11	D001-026	Decal "Stay Clear of Overhead Wires"	1
12	D001-S15	Decal "Peligro"	1
13	D001-032	Decal "Crushing Hazard"	2
14	D001-023	Decal "Diesel Fuel"	1
15	D001-022	Decal "Hydraulic Oil"	2
16	D001-016	Decal "Kesmac" (vertical white)	2
17	D001-013	Decal "Kesmac " (small)	3
17A	D001-014	Decal "Kesmac" (large)	5
18	D001-037	Decal "Lift 4500"	4
19	D001-015	Decal "Do Not Stand Under,"	2
20	D001-038	Decal "Lift 5000" (white)	4
21	D001-020	Decal "4500R (white)	2
22	D001-041	Decal "4500F (white)	2
23	D001-039	Decal "5000R (white)	2
24	D001-040	Decal "5000F (white)	2
25	D001-045	Decal "Do Not Drive or Lift	1
26	D001-046	Decal "Load Capacity Chart"	1
27	D001-047	Decal "Crushing Hazard" (Strut)	1

**LOAD CAPACITY CHART @ 24IN. LOAD CENTRE ON A FIRM LEVEL SURFACE**

	Mast Carriage Out Stabilizers Up - Mast Vertical	Mast Carriage Out Stabilizers Down - Mast Vertical	Mast Carriage In Stabilizers Up - Mast Vertical
Height (feet)	12 10 8 6 4 2 0	12 10 8 6 4 2 0	12 10 8 6 4 2 0
Weight (lbs) x 1000	0 2 4 6 8 10 12	0 2 4 6 8 10 12	0 2 4 6 8 10 12

**⚠ DANGER**

**CRUSHING HAZARD**

KEEP HANDS CLEAR WHEN REMOVING GAS STRUT. CYLINDER ROD EXTENDS UNDER HIGH PRESSURE

D001-047

27

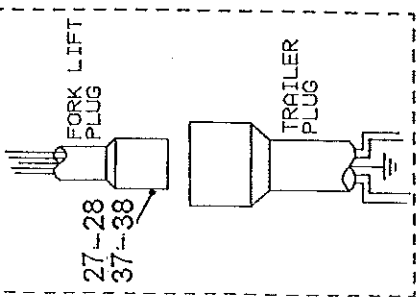
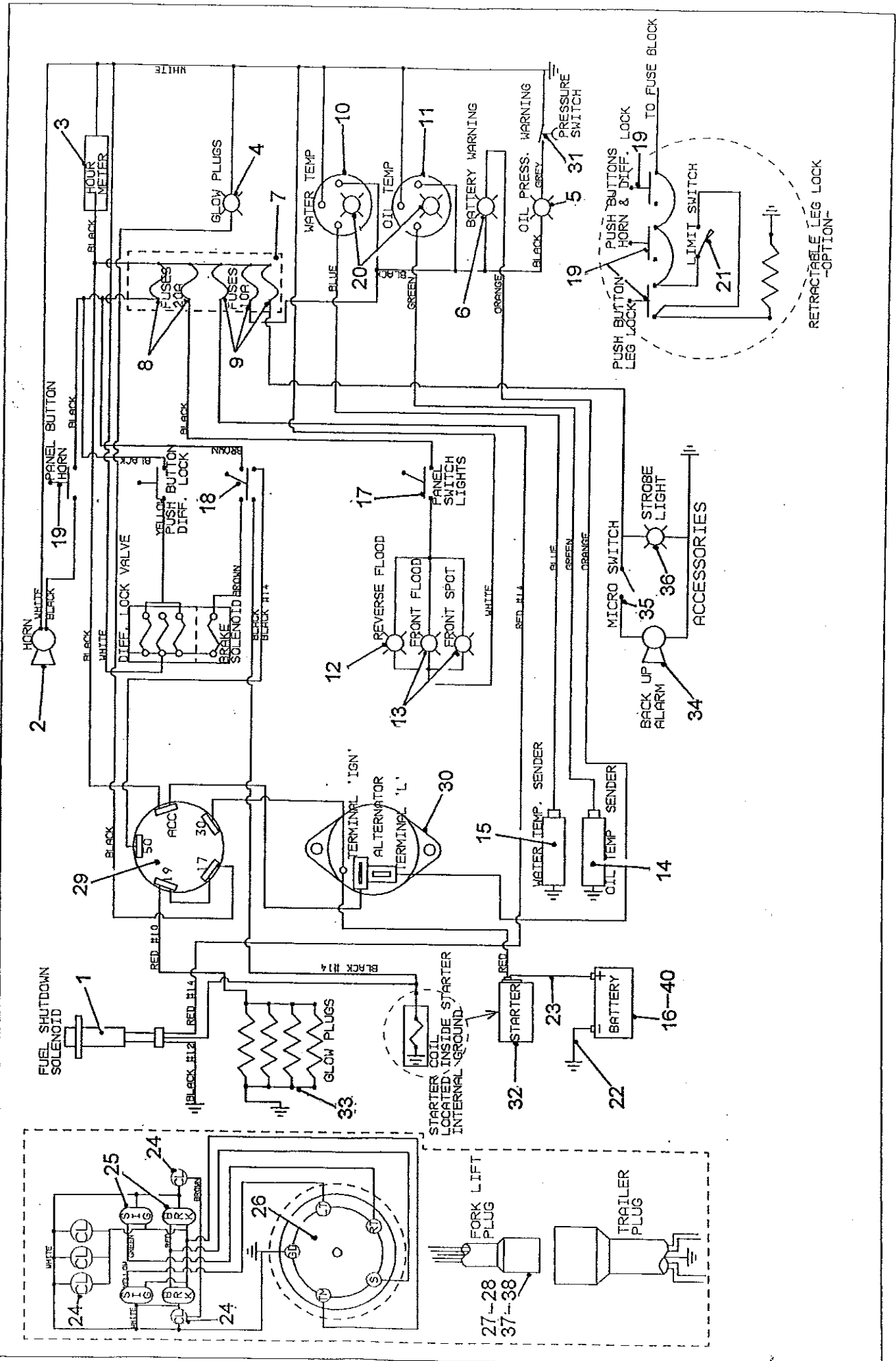
**⚠ DANGER**

**DO NOT DRIVE OR LIFT WITH FRONT WHEELS RETRACTED**

D001-045

25

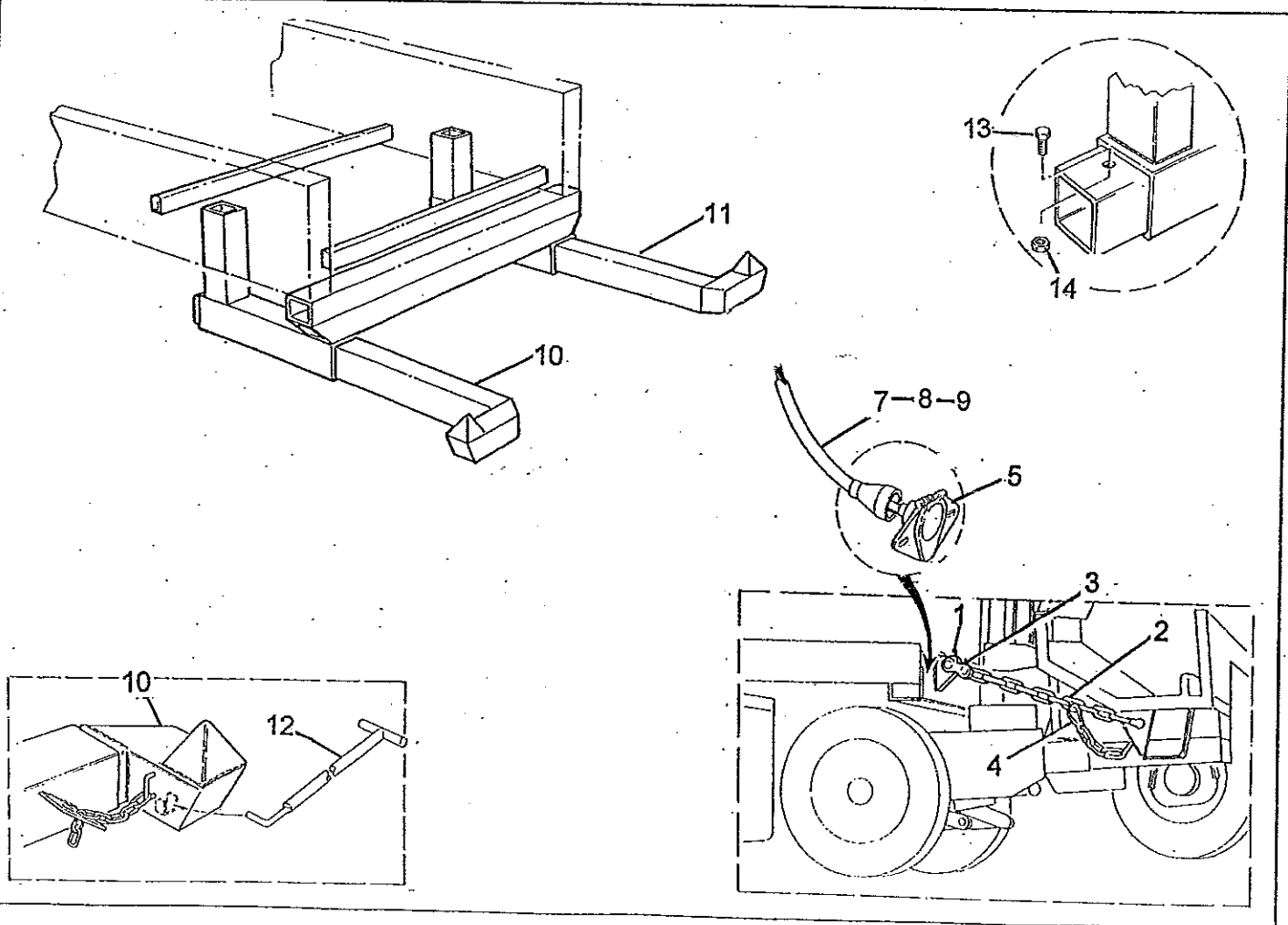
26

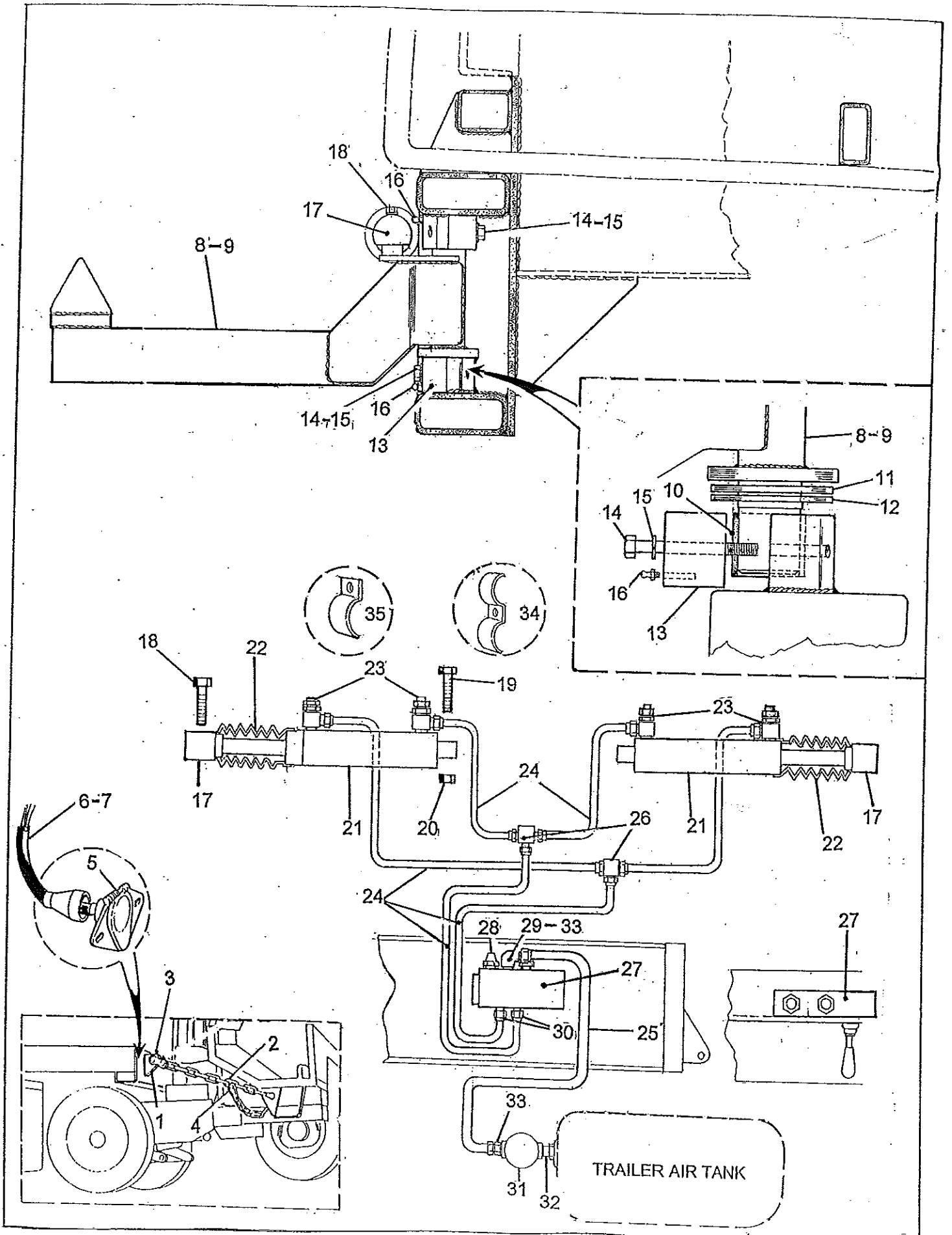


ITEM NO	PART NO	DESCRIPTION	QTY
		ELECTRICAL DIAGRAM	
1	KK99024	Shutdown Solenoid	1
2	KE10027	Horn	1
3	KE70005	Hour Meter	1
4	KE90002	Warning Light, Green (Glow Plugs)	1
5	KE90003	Warning Light, Red (Oil Pressure)	1
6	KE90001	Warning Light, Amber (Battery)	1
7	KE10060	Fuse Block	1
8	KE10061	Fuse 20 A	2
9	KE10062	Fuse 10A	2
10	KE70002	Water Temp Gauge	1
11	KE70004	Oil Temp Gauge	1
12	KE90004	Lamp - Reverse Flood	1
13	KE90005	Halogen Lamp Front Flood/Spot	2
14	KE70003	Oil Temperature Sender	1
15	KE70001	Water Temperature Sender	1
16	KE10031	Battery. Up to serial no.	1
17	KE80006	Panel Switch - Lights	1
18	KE80007	Panel Swith - Brake	1
19	KE10021	Push Button - Horn Diff. Lock, Retract (Option)	3
20	KE10002	Bulb c/w Holder	2
21	KE80005	Limit Switch	1
22	KE10004	Ground Strap	1
23	KE10044	Cable Battery to Starter	1
24	KE10055	Lamp - Red (clearance)	5
25	KE90006	Lamp - Red Stop	4
26	KE10012	Six Plug Socket	1
27	KE60003	Cable Unit to Trailer -(30 in. fixed leg)	1
28	KE60004	Cable unit to Trailer -(44 in retractable leg)	1
29	KK10023	Ignition/Start Switch - Kubota	1
30		Alternator - Kubota	1
31		Oil Pressure Switch - Kubota	1
32		Starter Motor - Kubota	1
33		Glow Plugs - Kubota	4
34	KE10065	Back-up Alarm Accessory)	1
35	KE80005	Micro Switch (Back-up Alarm	1
36	KE10066	Strobe Light (Accessory)	1
37	KE60005	Cable. Unit to Trailer. 7-way Receptacle. (30 in. Fixed Leg)	1
38	KE60006	Cable. Unit to Trailer. 7-way Receptacle. (44 in Retractable Leg)	1
39	T500057	Block heater kit (Incl.KK10019 Heater. KH90004 Fitting)	1
40	KE10074	Battery. From Serial No.	



ITEM NO	PART NO	DESCRIPTION	QTY
		MANUAL HOOK-UP KIT	
1	T100283	Safety Chain Lug (welded to trailer deck)	2
2	Q8401	Safety Chain 3/8 L7 Transport Chain	2
3	KX0800	Double Clevis	2
4	F990102	Snap Hook 3/8	2
5	KE10012	Connector Receptacle 6-way	1
6	KE10068	Connector Receptacle 7-way	1
7	Q8175	Connector Cable 6-wire	A/R
8	Q8176	Connector Cable 7-wire	A/R
9	KE98063	Electrical Connectors	6
10	T300048	Support Tube Weldt. LH	1
11	T300049	Support Tube Weldt. RH	1
12	T300029	Pull Handle	1
13	F010810	Bolt 1/2 UNC X 1 in.	2
14	F210800	Locknut 1/2 UNC.	2





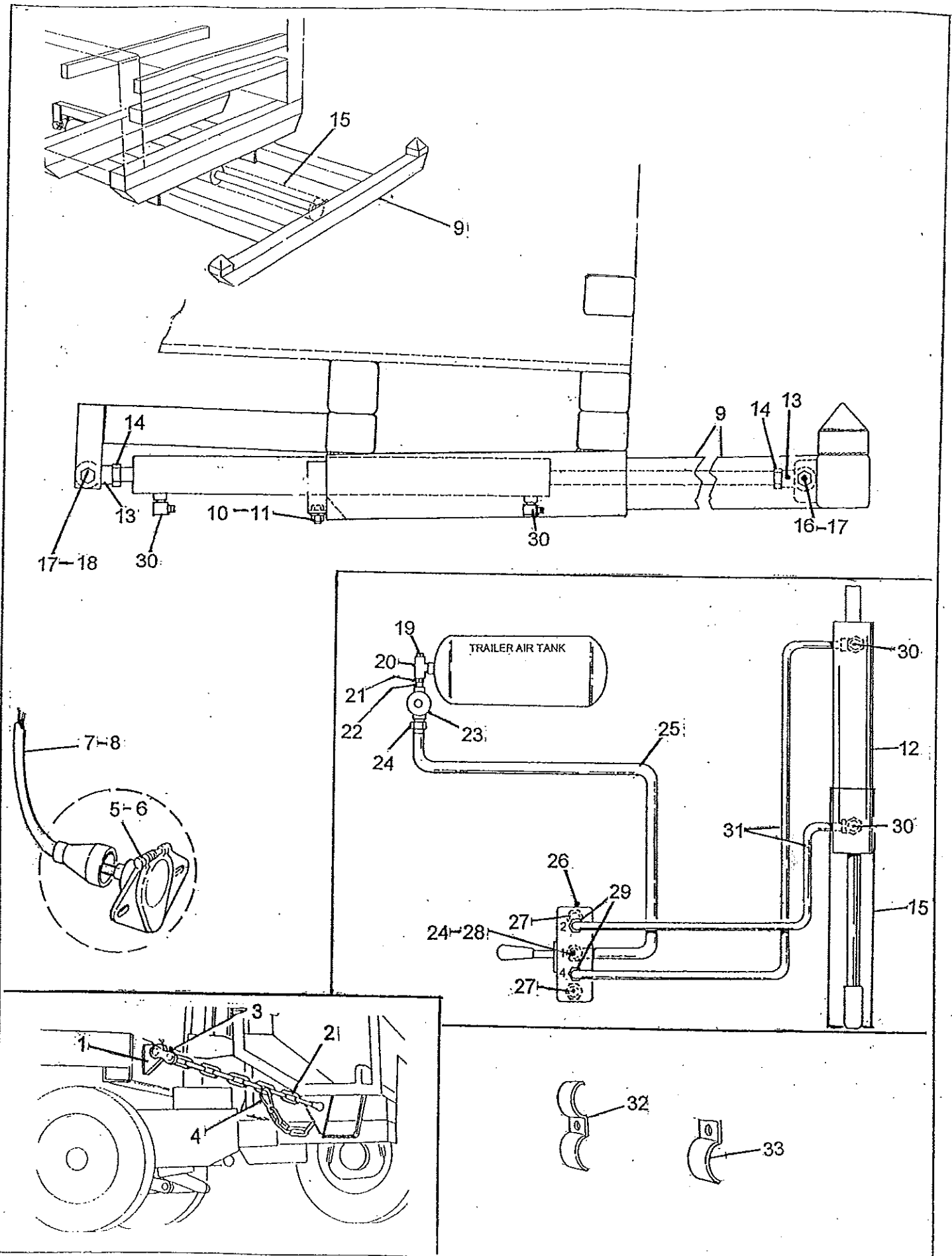
ITEM NO	PART NO	DESCRIPTION	QTY
		SWING ARM HOOK-UP KIT	
	T900103	Swing Arm Hook-Up kit see T900050 see note below	
1	T100283	Lug. Safety Chain (Weld to trailer deck)	2
2	T100893	Safety Chain 3/8. L7 Transport Chain	2
3	KX08000	Double Clevis	2
4	F990102	Snap Hook	2
5	KE10011	Connector Receptacle 6 - way	1
	KE10068	Connector Receptacle 7-way	1
6	Q8175	Connector Cable 6-wire	5 ft
	Q8176	Connector Cable 6-wire (obsolete)	5 ft
7	KE98063	Electrical Connectors	
8	T300106	Swing Arm. Rear	1
9	T300107	Swing Arm. Front	1
10	KB40213	Bushing	4
11	KB40212	Thrust Bearing. Brass	2
12	T100777	Thrust Ring	2
13	T100756	End Cap	2
14	F011030	Bolt 5/8 UNC x 3 in.	8
15	F311000	Lockwasher 5/8	8
16	KX90020	Grease Fitting 1/4	8
17	T100498	Clevis End Swing Arm	2
18	F010824	Bolt. 1/2 UNC x 2 1/2 in	2
19	F010616	Bolt. 3/8 UNC x 1 3/4	2
20	F210600	Locknut 3/8 UNC	2
21	KA02001	Air Cylinder	2
22	KX90100	Bellows - Kit	1
23	KA01002	Flow Regulator c/w Air Fitting	4
24	Q8564	Air Brake Hose 1/4 in.	A/R
25	Q8566	Air Brake Hose 3/8 in.	A/R
26	4-100401BA	Air Brake Union Tee. 1/4 tube	2
27	KA01001	Air Control Valve.4 Way. 3 Position	1
28	KA99001	Air Muffler	2
29	4W-130239	Street Elbow 1/4 NPT. Special Short Female	3
30	4X4-100102BA	Male Connector 1/4 NPT X 1/4 NPT	6
31	KA01003	Pressure Protection Valve (Air Tank)	1
32	KA12220	Long Nipple 1/4 NPT X 2 in. Lg. Brass	1
33	6-100102BA	Male Connector 3/8 tube X 1/4 NPT.	2
34	KM60004	Double Clip 1/4	6
35	KM60003	Clip 3/8	4
	F010220	Bolt #10-32 X 2 in.	2
	F010206	Bolt #10 X 3/4 in.	10
	F330200	Washer #10	12
	F210250	Locknut #10-32	12
	KX99106	Tie wraps	12
	F010830	Bolt 1/2 x 3	2
	F330800	Washer 1/2	2
	6-130425	Male Branch 'T' 3/8 NPT	1
	6-4-130139	Bushing 3/8 NPT x 1/4 NPT	1

**NOTE**

T900050 chain hook-up kit. Standard includes items 1, 2, 3, & 4

T900051 Chain Hook-Up Kit, Pad Mount Includes Q8404 Chain

KX08009 Coupling Link  
F910600 Safety Lock Pin  
T100849 Chain Shackles





ITEM NO	PART NO	DESCRIPTION	QTY
		AIR SLIDE HOOK-UP KIT	
	T900100	Hook-Up Kit (standard) See T900050 See note below	
	T900104	Hook-Up Kit (Pad Mount) see T900051 See note below	
1	T100283	Safety Chain Lug (welded to trailer deck)	
2	T100893	Transport Safety chain 3/8 L7 transport chain	2
3	KX08000	Double Clevis	2
4	F990102	Snap Hook 3/8	2
5	KE10012	6-way Receptacle Connector (Replacement only. - non current)	1
6	KE10068	7-way Receptacle Connector	1
7	Q8175	Connector Cable 6-wire	A/R
8	Q8176	Connector Cable 7-wire (Obsolete)	A/R
9	T300105	Support Tube weldt.	1
10	F010810	Bolt 1/2 UNC X 1 in	2
11	F210800	Locknut 1/2 UNC	2
12	T500017	Air Cylinder	2
13	KB16008	Rod End	2
14	F221250	Nut - Rod End. 3/4 UNF	2
15	T100496	Piston Rod Shield	1
16	F011244	Bolt 3/4 UNC X 4 1/2 in.	1
17	F211200	Locknut 3/4 UNC	2
18	F011224	Bolt 3/4 UNC X 2 1/2 in.	1
19	KA11031	Plug male Hex. 3/8 NPT	1
20	6-130425	Male Branch Tee. 3/8 NPT	1
21	6-4-130139	Bushing. 3/8 NPT	1
22	KA12220	Nipple 1/4 NPT. X 2 in.	1
23	KA01003	Pressure Protection Valve	1
24	6-100102BA	Male Connector 3/8 Tube X 1/4 NPT	2
25	Q8566	Air Brake Hose 3/8 Dia.	A/R
26	KA01001	Air Control Valve 4 way	1
27	KA99001	Air Muffler	3
28	4W-130239	Elbow. 1/4 NPT	3
29	4X4-100102BA	Male Connector 1/4 tube X 1/4 NPT	2
30	4X4-100202BA	90deg Male Elbow 1/4 tube x 1/4 NPT	2
31	Q8564	Air Brake Hose 1/4 Dia.	A/R
32	KM60004	Double Clip	6
33	KM60003	Clip 3/8 in	4
	F010220	Bolt #10 UNF X 2 in.	2
	F010206	Bolt #10 UNF X 3/4 in.	10
	F330200	Washer #10	12
	F310200	Lockwasher #10	12
	F210250	Locknut #10	12
	KX99107	Tie Wraps	12
	KE98063	Electrical Connectors	6

**NOTE**

T900050 Chain Hook-Up Kits std  
Includes items: 1, 2, 3, & 4

T900051 Chain Hook-Up Kit Pad  
Mount  
Includes Q8404 Chain  
KX08009 Coupling Link  
F910600 Safety Lock Pin  
T100849 Chain Shackle

} Not Shown

