



AUTODRIVE FORKLIFT

from Serial Number 250 onward.

PARTS LIST



KESMAC Inc

23324 Woodbine Avenue, Keswick Ontario Canada L4P 0N1
Tel (905) 476-6222 Fax (905)-6744 Web Site www.brouwerkesmac.com
info@kesmac.com

KESMAC INC.
DBA BROUWER KESMAC
23324 Woodbine Ave.
Keswick, ON L4P 0N1
Phone: (905) 476-6222
Fax: (905) 476-6744
Website: www.brouwerkesmac.com



STATEMENT OF LIMITED WARRANTY

Brouwer Kesmac warrants its full line of equipment to be free from defects in material and factory workmanship for a period of 12 months. This warranty begins on the date of sale or use of the equipment to the original purchaser. This statement does not extend or limit engine, tractor or component warranties in which the engine, tractor or component manufacturers may carry extended time periods up to 24 months. Engine, tractor or component warranty claims will be subject to the engine, tractor or components manufacturer's approval.

Replacement Parts carry a 90 day replacement warranty and are reimbursed to the dealer. All electrical and hydraulic parts are limited by this policy and will only be covered upon approval by the service department after inspection of the part. The installation and removal of a part will automatically place that part under the replacement parts warranty.

This warranty is limited exclusively to equipment or accessories manufactured or supplied by **Brouwer Kesmac** and are subject to the inspection and analysis by the company to conclusively identify the nature and cause of failure.

PRODUCT REGISTRATION FORM must be completely filled out, signed by the customer at the original date of installation, and returned to **Brouwer Kesmac** before any claims will be considered.

Brouwer Kesmac reserves the right to incorporate improvements in material and design of its products without notice and is not obligated to make the same improvements to equipment previously manufactured.

Brouwer Kesmac is not obliged under any warranty policy different from the Kesmac Brouwer Turf warranty policy as published above.

BROUWER KESMAC RESPONSIBILITIES

Brouwer Kesmac's obligation under the terms of this warranty is limited to the repair, replacement or credit, at its option, of the equipment, parts or supply items that conform to its warranty.

DEALER'S RESPONSIBILITIES

1. Only factory-trained service or approved personnel will be permitted to perform warranty service on **Brouwer Kesmac** equipment.
2. All major warranty claims exceeding \$650.00 (in total including parts and labour) must be authorized by **Brouwer Kesmac** before work is performed.
3. All replacement parts used in warranty situations must be furnished by **Brouwer Kesmac** or approved by **Brouwer Kesmac** personnel. The use of non-recommended oil could nullify warranty.

OWNERS RESPONSIBILITIES

The owner is obligated to operate and maintain the equipment in accordance with the recommendations published by **Brouwer Kesmac** in the owners/operators manual for the unit. The owner is responsible for the costs associated with such maintenance and operating adjustments that may be required on a regularly scheduled basis. Where applicable the owner is responsible for transportation to and from the dealership or service calls made by the dealer.

CONDITIONS THAT VOID WARRANTY

This warranty shall not apply to equipment which:

- 1. Has had repairs or modifications not authorized by **Brouwer Kesmac**
- 2. Has been subject to abuse, improper maintenance, or improper application.
- 3. Has been modified from original equipment specifications.

WARRANTY EXCEPTIONS

This warranty does not apply to the following items:

- 1. Wear items including blades, cutting edges, cutting arms, spark plugs, belts, filters, bearings, sprockets, chains, tires, light bulbs, lubricants and fluids etc. Cost of normal maintenance including replacement of service items.
- 2. Damages to engine/drive systems caused by lack of/or improper lubricants and/or fluids.
- 3. Damages arising from accident, misuse or neglect.
- 4. Damages to engine/drive systems caused by improper operation and/or maintenance.
- 5. **Brouwer Kesmac** will not be liable for any incidental or consequential damage or injuries, including but not limited to loss of profits, loss of crops, rental of substitute equipment, or other commercial loss or for damage to the equipment in which the Company Product is installed.

FREIGHT CARRIER DAMAGE

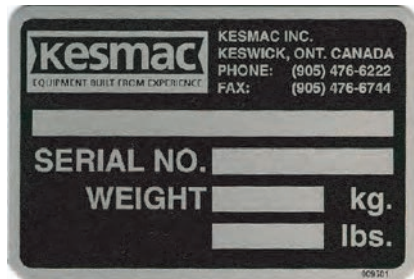
Claims for equipment damaged in transit should be referred to the freight carrier. Visible damage should be reported immediately and concealed damage as soon as possible, in accordance with freight carrier regulations.



IMPORTANT

When ordering parts for this machine, the serial number must be quoted from the plate that is located below and to the left of the driver's seat. The model number and part color information must also be provided.

Use only genuine Kesmac parts. Parts that are not supplied by Kesmac may not meet Factory specifications or standards of manufacture. The use of non-approved parts may result in component failure and possibly cause an accident and/or injury to the operator and others.



Customer/Dealer

Serial Number

Date of Shipment

AUTODRIVE FORKLIFT. PARTS LIST

CONTENTS

SECTION 1

- Mast Assembly
- Carriage Assembly
- Retractable Leg. (Option)
- Stabilizers
- F.O.P.S. / Seat Assembly
- Retractable Leg 3 – Wheel Brake (option)
- Wheel Motors, Rims, & Tires
- Weight Kit

SECTION 2

- Auxiliary Hydraulic System up to Serial No. 293
- Drive Hydraulic System
- Hydraulic Pump Drive
- Leg Lock Hydraulic System
- Auxiliary Hydraulic System from Serial No. 294
- Forklift Manifolds – Service Parts

SECTION 3

- Dash Panel Controls
- Throttle Pedal Control
- ‘ Inching ‘ Pedal Control
- Decals

SECTION 4

- Steering Column Assembly
- Rear Steer Wheel Assembly up to Serial No. 293
- Rear Steering Retrofit
- Wheel Assembly
- Rear Steering Wheel Assembly from Serial No. 294

SECTION 5

- Panels and Covers
- Radiator and Oil Cooler
- Fuel System
- Exhaust System
- Air Cleaner and Intake
- Engine Mounts

SECTION 6

- Electrical System
- Automotive Controller

SECTION 7

- Hook – up Kits

SECTION 8

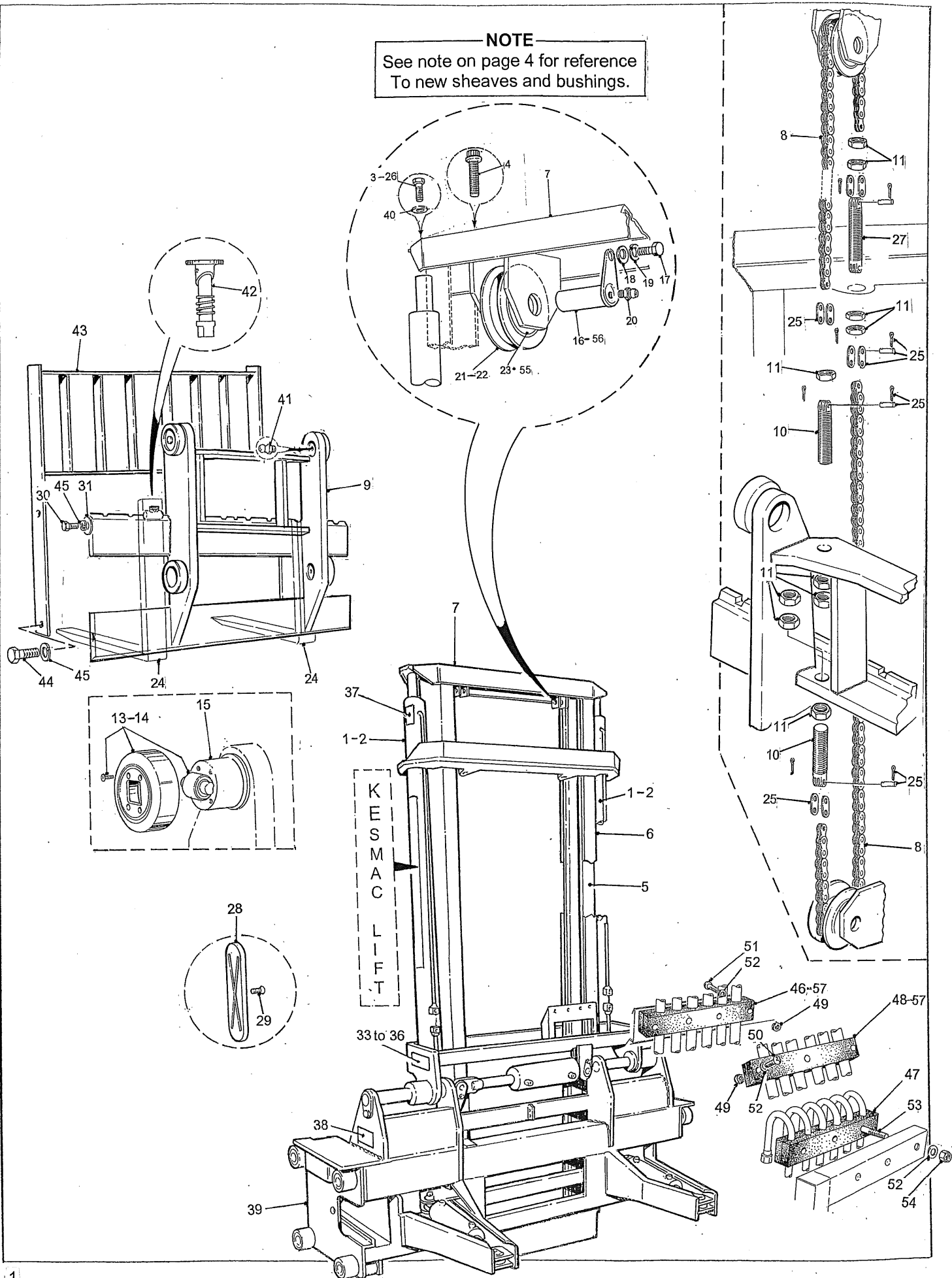
- 5500 Model
 - 3 – Wheel Brake System
 - Wheel Motors, Rims, & Tires

SECTION 1

Mast Assembly	1
Carriage Assembly	5
Retractable Leg. (Option)	7
Stabilizers	11
F.O.P.S. / Seat Assembly	13
Retractable Leg 3 – Wheel Brake (option)	15
Wheel Motors, Rims, & Tires	17
Weight Kit	19

NOTE

See note on page 4 for reference
To new sheaves and bushings.



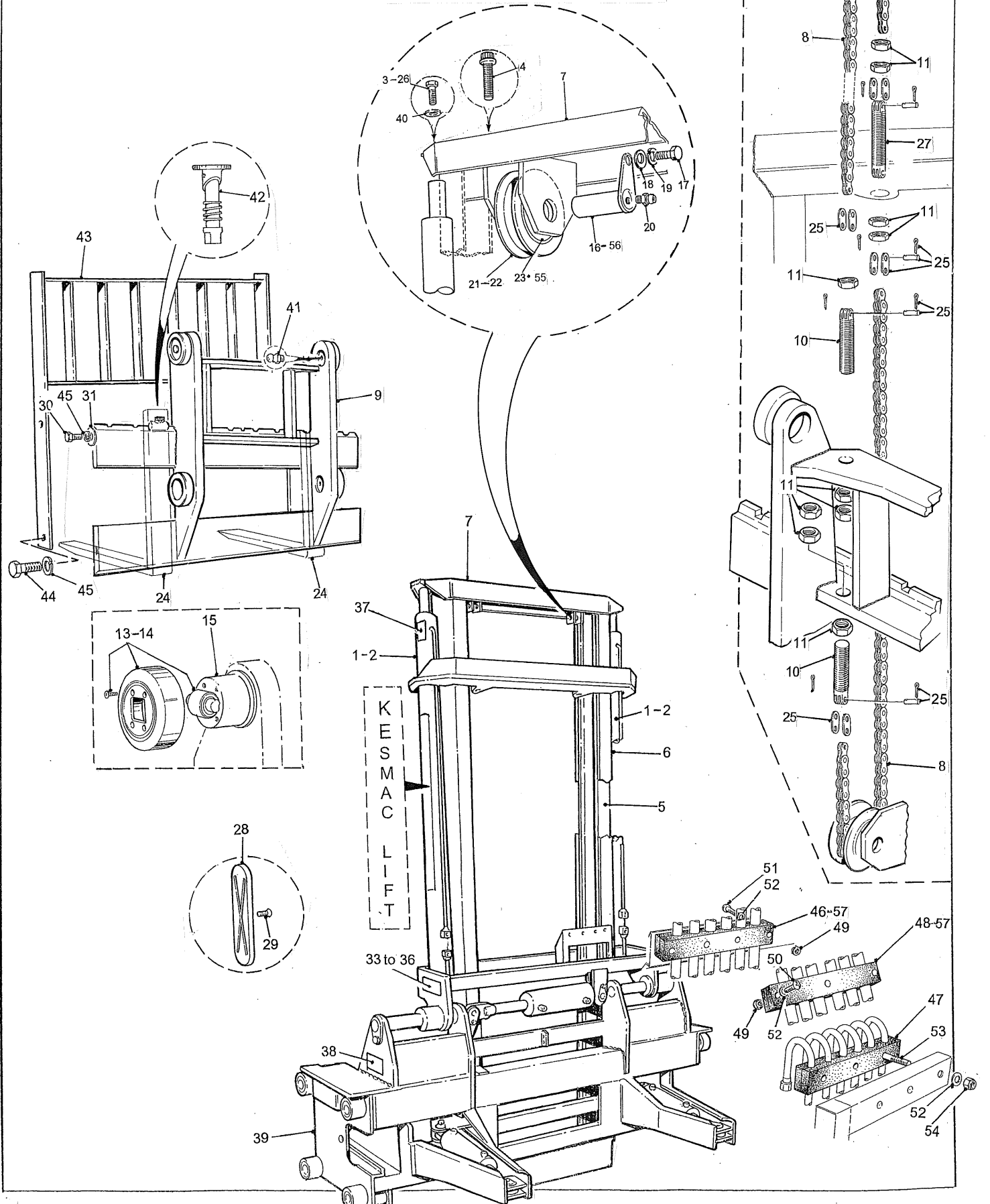
ITEM NO.	PART NO.	DESCRIPTION	QTY
MAST ASSEMBLY			
1	T500074	Cylinder - 6ft. Lift. 2 1/2 in. Bore	2
	T500013	Cylinder - 10ft. Lift. 2 1/2 in. Bore	2
	T500015	Cylinder - 12ft. Lift. 2 1/2 in. Bore	2
2	KH70109	Seal Kit. 6, 10 & 12ft. Cyls. 2 1/2 in. Bore.	1
3	F011220	Bolt 3/4 unc X 2	2
4	F561020	Bolt 5/8 unc x 2 Flanged Hd. 12 pt.	8
5	T300165	Inner Mast. 6ft.	1
	T300033	Inner Mast. 10ft.	1
	T300110	Inner Mast. 12ft.	1
6	T300164	Outer Mast. 6ft.	1
	T300131	Outer Mast. 10ft.	1
	T300132	Outer Mast. 12ft.	1
7	T300077	Inner Mast. Upper Cross Beam.	1
8	KX20066	Lift Chain. 6ft. Lift.	4
	KX20054	Lift Chain. 10ft. Lift	4
	KX20058	Lift Chain. 10ft Lift. (Nickle Plated. Special Order)	4
	KX20060	Lift Chain. 12ft. Lift	4
9	T300078	Fork Carriage	1
10	T100466	Lift Chain Anchor. 7/8 unf. (Fork End)	4
11	F221450	Jam Nut. 7/8 unf.	18
12	Deleted		
13	KB10001	Combination Bearing	4
14	KB10003	Combination Bearing c/w Spigot	4
15	KB10002	Spigot - Combination Bearing	1
16	T300031	Pin - Lift Sheave (Use with bronze bushing) Non-current	4
17	F010406	Bolt 1/4 unc. X 3/4	4
18	F320400	Flat Washer 1/4	4
19	F310400	Lockwasher 1/4	4
20	KX90020	Grease fitting	12
21	T500008	Sheave Assy. Lift Chain	4
22	T100149	Sheave - Lift Chain	4
23	KB52416	Bushing - Bronze (Non-current)	1
24	KF99046	Lift Fork. 46in. Std.	2
	KF99042	Lift Fork. 42in.	2
	KF99044	Lift Fork. 44in.	2
	KF99048	Lift Fork. 48in.	2
	KF99142	Lift Fork Block	2
	KF99242	Lift Fork. Brick	2
25	KX20009	Chain Link Set. (Links, Pins & Cotter Pins)	8
26	F011244	Bolt 3/4 unc X 4 1/2	2
27	T100458	Lift Chain Anchor. 7/8 unf. (Inner Mast. Top End) Long	2
28	T100192	Slider Bearing. 0.192 in. 'A'	A/R
	T100193	Slider Bearing. 0.230 in. 'B'	A/R
	T100194	Slider Bearing. 0.280 in. 'C'	A/R
	T100195	Slider Bearing. 0.320 in. 'D'	A/R
29	F550304	Screw 12-24 x 1/2. C/Sunk	8
30	F010810	Bolt 1/2 unc.x 1	8

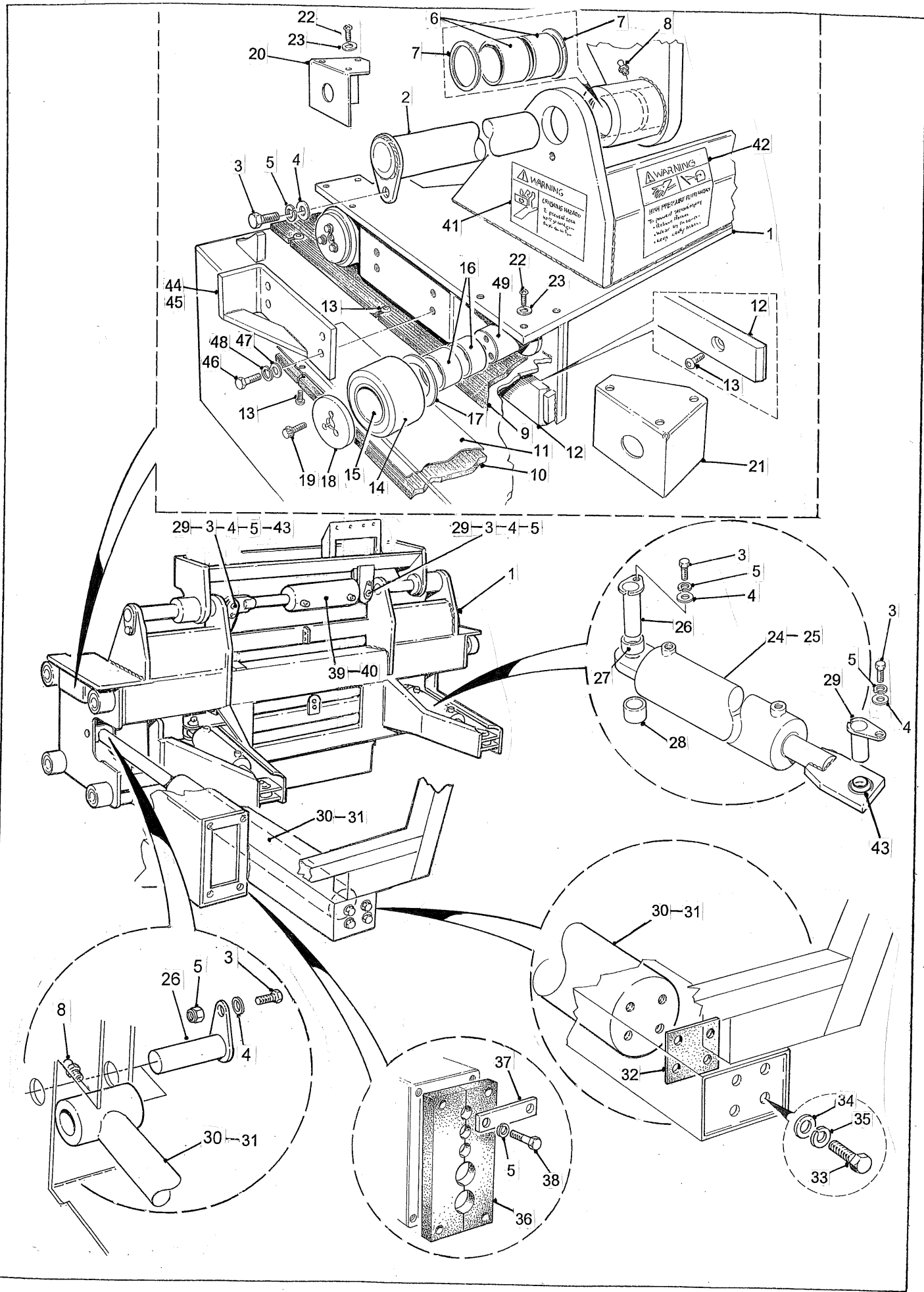
NOTE
See note on Page 4 re. Lift Chains.

NOTE
See note on Page 4 with reference to Sheaves and Bushings.

Fork Calipers - KD99003

NOTE
See note on page 4 for reference
To new sheaves and bushings.





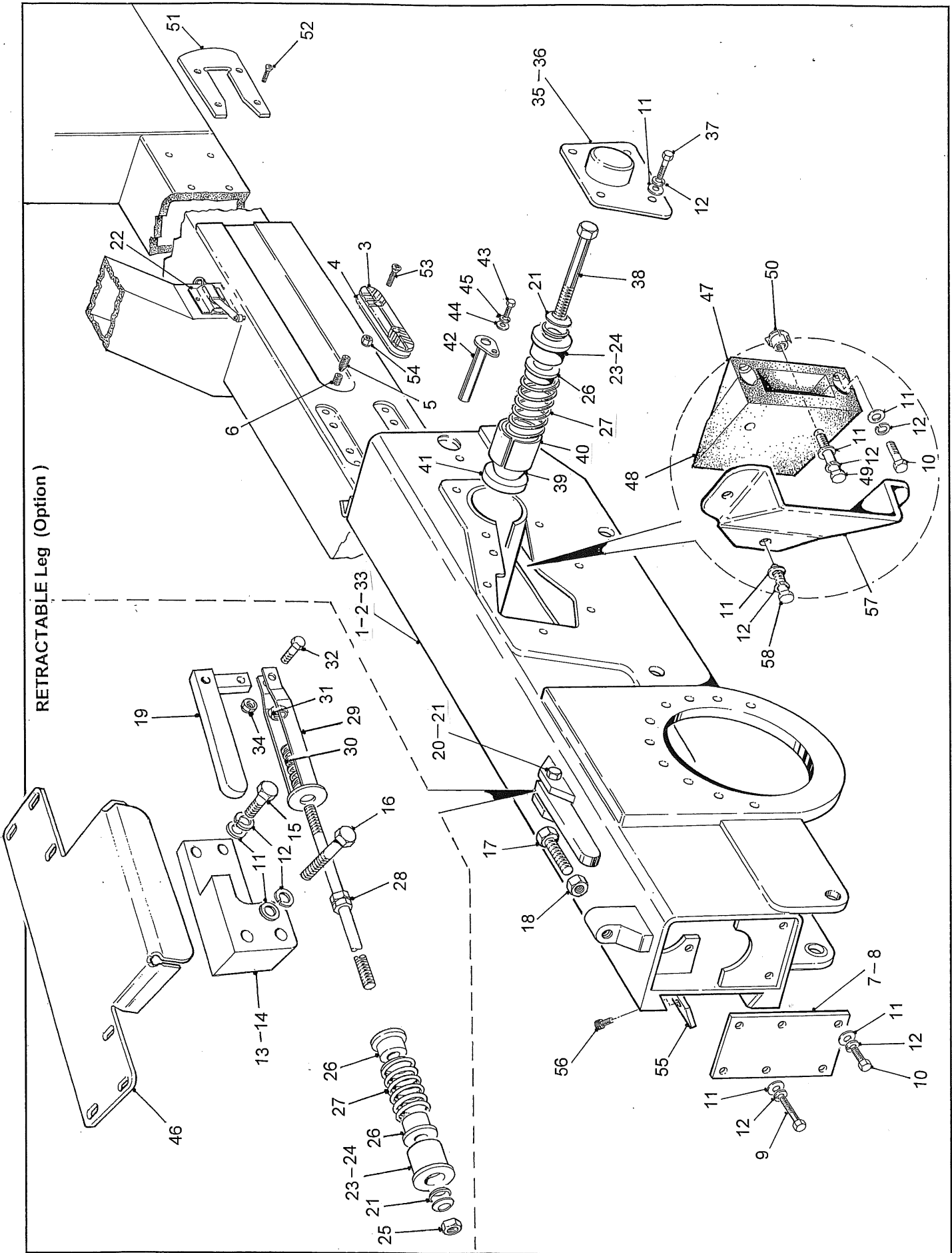
ITEM NO.	PART NO.	DESCRIPTION	QTY
CARRIAGE ASSEMBLY			
1	T300004	Carriage Assembly	1
2	T300030	Mast Pin - Side Shift	2
3	F040510	Bolt 5/16 unc x 1 Gr.8	10
4	F320500	Flatwasher 5/16	10
5	F210500	Locknut 5/16 unc	10
6	KB12832	Bushing	4
7	KX20050	Bushing Retainer	4
8	KX90020	Grease Fitting	4
9	T100024	Track Plate Upper	2
10	T100025	Track Plate Lower	2
11	T100963	Shim - Lower Track Plate. 20Ga.	A/R
	T100964	Shim - Lower Track Plate. 16Ga.	A/R
12	T100141	Side Slider	2
13	F160510	Bolt 5/16 unc x 1 Button Hd. Hex. Soc.	32
14	T500007	Carriage Roller c/w Bushing	8
15	KB12831	Bushing Carriage Roller (Part of assembly T500007.)	8
16	KB12816	Bearing Sleeve	16
17	KB12840	Thrust Washer	8
18	T100956	Cap - Carriage Roller	8
19	F040506	Bolt 5/16 unc x 3/4 Gr.8	24
20	T100361	Cover Plate - Front Left / Rear Right	2
21	T100362	Cover Plate - Front Right / Rear Left	2
22	F580404	Bolt 1/4 unc x 1/2 Pan Hd. Phil. S/S	12
23	F350400	Flatwasher 1/4 S/S	12
24	T500016	Tilt Cylinder	2
25	KH70107	Seal Kit - Tilt Cyl. Per. Cyl.	1
26	T300042	Pin - Tilt Cyl. Hd end. Ext. Cyl. Rod end	2
27	T100225	Spacer - Upper	1
28	T100226	Spacer - Lower	1
29	T300043	Pin - Tilt Cyl. Rod End & Side Shift Cyl.	4
30	T500023	Carriage Cylinder. R.H. (2.29 in. Bore)	1
	T500024	Carriage Cylinder. L.H. (2.50 in. Bore)	1
31	KH70076	Seal Kit - Carriage Cyl. R.H. (2.29 in. Bore) Per. Cyl.	1
	KH70077	Seal Kit - Carriage Cyl. L.H. (2.50 in. Bore) Per. Cyl.	1
32	T100433	Cushion Carriage Cyl.	2
33	F040610	Bolt 3/8 unc x 1 Gr.8	8
34	F320600	Flatwasher 3/8	8
35	F310600	Lockwasher 3/8	8
36	T100323	Hose Clamp Set	2
37	T100324	Clamp Bar	4
38	F040516	Bolt 5/16 x 1 3/4 Gr.8	8
39	T500003	Cylinder - Side Shift	1
40	U17587	Seal Kit - Side Shift Cyl. Per Cyl.	1
41	D001-024	Decal. 'Do not permit riders...'	2
42	D001-012	Decal. 'High Pressure Fluid Hazard...'	1
43	KB11016	Spherical Bearing. 1 in.	3
44	T300186	Carriage Stop Bracket. LH	1
45	T300187	Carriage Stop Bracket. RH	1
46	F040610	Bolt 3/8 unc x 1 Gr. 8	4
47	F310600	Lockwasher 3/8	4
48	F320600	Flatwasher 3/8	4
49	T100221	Lower Rear Axle	2
	T100222	Upper Axle	4

ITEM NO.	PART NO.	DESCRIPTION	QTY
RETRACTABLE LEG (Option)			
1	T300162	Sliding Leg. L.H.	1
2	T300163	Sliding Leg R.H.	1
3	T100947	Slider Bearing	8
4	T100190	Backing Plate	8
5	F140606	Socket Screw 3/8 unc x 3/4	16
6	F140603	Socket Screw 3/8 unc x 3/8	16
7	T300061	Cover Plate L.H. Non Current up to Serial No. 296	1
	T300261	Cover Plate L.H. Current from Serial No. 297	1
8	T300062	Cover Plate R.H. Non Current up to Serial No. 296	1
	T300262	Cover Plate R.H. Current from Serial No. 297	1
9	F040624	Bolt 3/8 unc x 2 1/2 Gr.8	8
10	F040612	Bolt 3/8 unc x 1 1/4 Gr.8	8
11	F320600	Flatwasher 3/8	16
12	F310600	Lockwasher 3/8	20
13	T300082	Carriage Lock Stop. L.H.	1
14	T300083	Carriage Lock Stop R.H.	1
15	F040814	Bolt 3/8 unc x 1 1/4 Gr.8	4
16	F040634	Bolt 3/8 unc x 3 1/2 Gr.8	4
17	F071224	Bolt 3/4 un f x 2 1/2 Gr.8	2
18	F230200	Nut 3/4 un f	2
19	T300063	Lift Link	2
20	F070822	Bolt 1/2 un f x 2 1/4	1
21	KS11004	Lockwasher 1/2 in. Disc	10
22	KE80005	Limit Switch	1
23	T500004	Leg Lock Cylinder	4
24	KH70086	Seal Kit - Leg Lock Cyl.	1
25	F230850	Nut 1/2 un f.	2
26	T100393	Spring Seat	6
27	KS10073	Spring	4
28	T300064	Bolt. Weldt.	2
29	T300065	Retract Bar	2
30	KS10047	Spring	2
31	F210850	Locknut 1/2 unc	2
32	F040514	Bolt 5/16 unc x 1 1/2 Gr.8	2
33	T300253	Sliding Leg LH (3 Wheel Brake)	1
	T300254	Sliding Leg RH (3 Wheel Brake)	1
34	F210500	Locknut 5/16 unc	2
35	T300067	Retainer L.H. - Leg Lock Cyl.	1
36	T300068	Retainer R.H. - Leg Lock Cyl.	1
37	F040612	Bolt 3/8 unc x 1 1/4 Gr.8	8
38	T100842	Bolt	2
39	T100392	Leg Lock Pin	2
40	T100391	Sleeve	2
41	T100395	Eccentric Locator	2
42	T300066	Safety Pin	2
43	F040510	Bolt 5/16 unc x 1 Gr.8	2
44	F320500	Flatwasher 5/16	A/R
45	F310500	Lockwasher 5/16	2
46	T100363	Latch Cover	2
47	T100421	Hose Clamp. Inner	1
48	T100422	Hose Clamp. Outer	1
49	F040620	Bolt 3/8 x 2 unc Gr.8	4

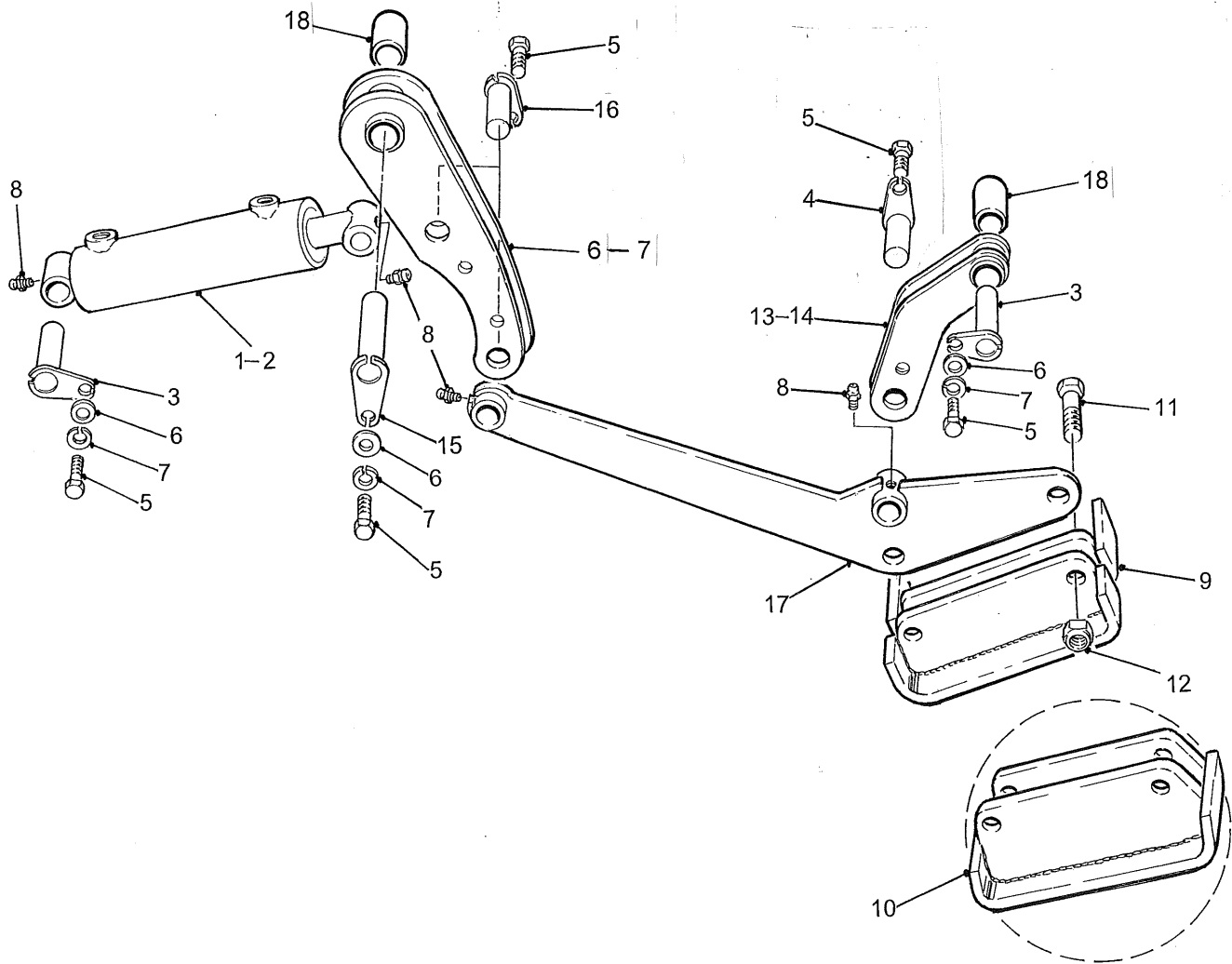
NOTE

See Page 15 for the Retractable Leg, 3 - Wheel Brake (option) assembly.

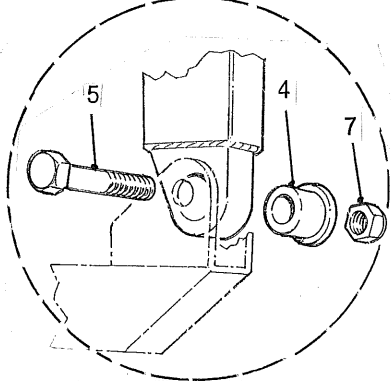
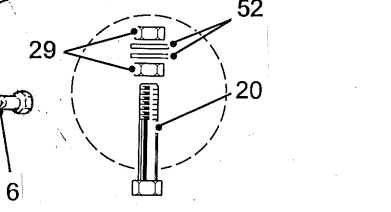
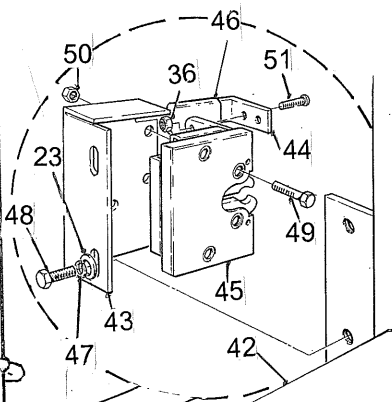
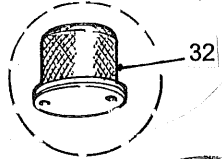
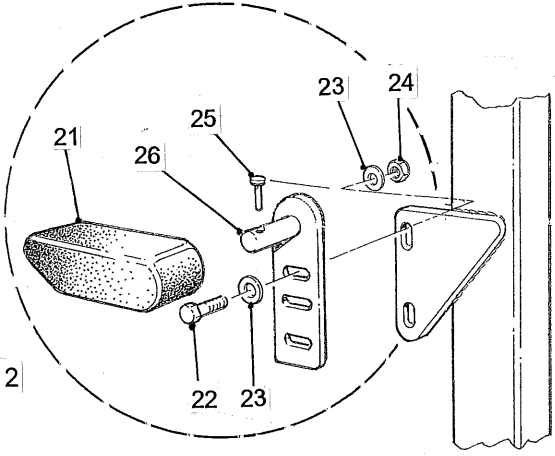
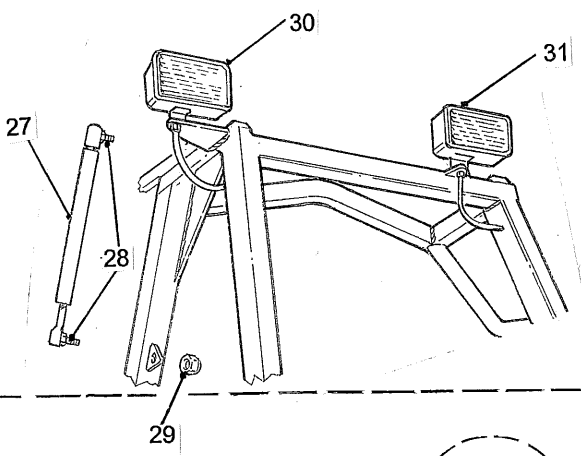
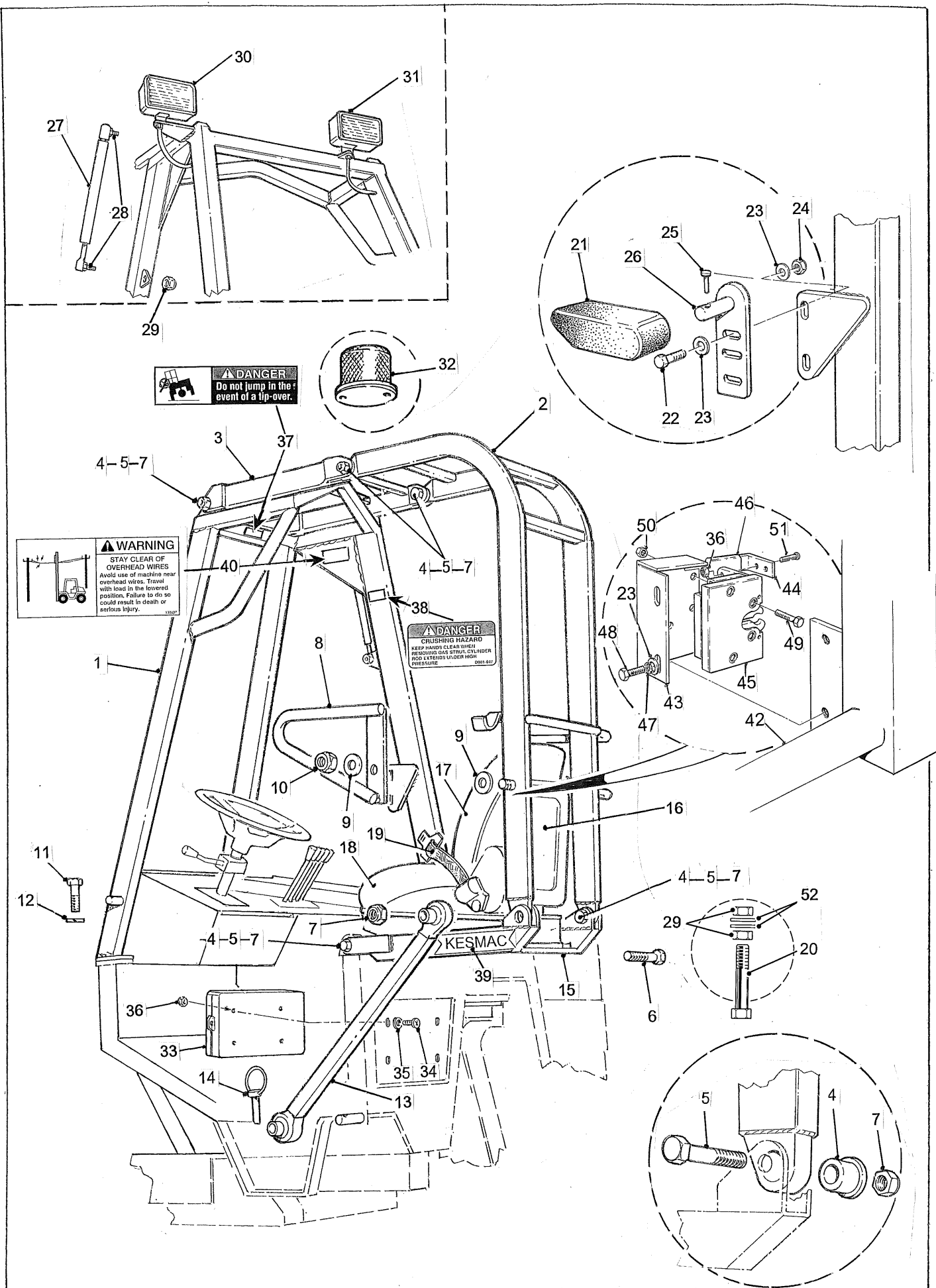
RETRACTABLE Leg (Option)



ITEM NO.	PART NO.	DESCRIPTION	QTY
RETRACTABLE Leg (Option)			
50	F170600	T ' Nut. 3/8 unc	4
51	T100974	Stop Pin Cradle	2
52	F120404	Screw 1/4 unc x 1/2. Flt. Hd. Soc.	8
53	F611010	Bolt 12 - 24 x 1 Flat Hd. Phil. S/S	16
54	F210300	Locknut 12 -24	16
55	T101231	Wear Strip	2
56	F780204	Bolt 10 - 24 x 1/2 Soc. Hd. Bronze	14
57	T101280	Clamp Cap. Current from Serial No. 297	1
58	F040616	Bolt 3/8 x 1 3/4 unc Gr.8	3



ITEM NO.	PART NO.	DESCRIPTION	QTY
STABILIZER ASSEMBLY			
1	T500001	Stabilizer Cylinder	2
2	U17570	Seal Kit - Stabilizer Cyl. Per. Cyl.	1
3	T300040	Pin - Upper	4
4	T300041	Pin - Lower	2
5	F040506	Bolt 5/16 unc x 3/4 Gr.8	12
6	T500156	Stabilizer Control Arm. L.H. Assy. c/w Bushing	1
7	T500157	Stabilizer Control Arm. R.H. Assy. c/w Bushing	1
8	KX90020	Grease Fitting	8
9	T300264	Stabilizer Foot. Std. RH (Shown)	1
	T300263	Stabilizer Foot. Std. LH	1
10	T300092	Stabilizer Foot. Opt. Flotation Tire (Shown)	2
	T300273	Stabilizer Foot. Opt. R.H. - Trencher Tire	2
	T300272	Stabilizer Foot. Opt. L.H. - Trencher Tire	2
11	F040224	Bolt 3/4 unc x 2 1/2 Gr.8	4
12	F211200	Locknut 3/4 unc	4
13	T500158	Front Link. L.H. Assy. c/w Bushing	1
14	T500159	Front Link. R.H. Assy. c/w Bushing	1
15	T300138	Pin. Upper Middle	2
16	T300149	Pin. Lower Rear	4
17	T300146	Stabilizer Leg	2
18	KB12830	Bushing	2



⚠ DANGER
Do not jump in the event of a tip-over.

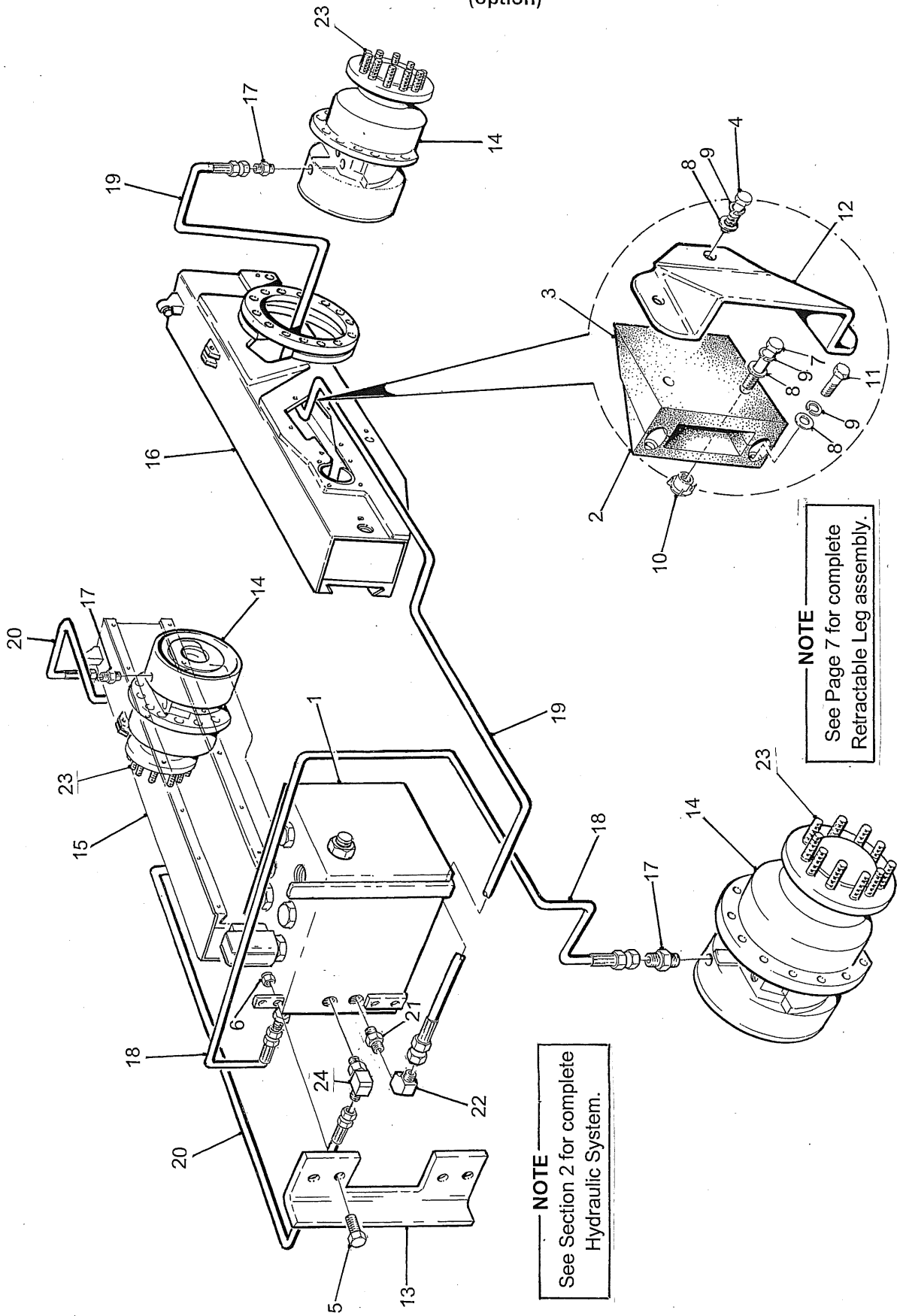
⚠ WARNING
STAY CLEAR OF OVERHEAD WIRES. Avoid use of machine near overhead wires. Travel with load in the lowered position. Failure to do so could result in death or serious injury.

⚠ DANGER
CRUSHING HAZARD
KEEP HANDS CLEAR WHEN REMOVING GAS STRUT. DANGER ROD EXTENDS UNDER HIGH PRESSURE. D9111-017

KESMAC

ITEM NO.	PART NO.	DESCRIPTION	QTY
F.O.P.S / SEAT ASSEMBLY			
1	T300021	Front Frame	1
2	T300024	Rear Frame (Rear Frame for Latch is T300243)	1
3	T300022	Top Frame	1
4	KB52418	Bushing	8
5	F071224	Bolt 3/4 unf. x 2 1/2 Gr.8	7
6	F071240	Bolt 3/4 unf.x 4 Gr.8	1
7	F271250	Locknut 3/4 unf. Jam	8
8	T300039	Side Restraint	1
9	F320800	Flatwasher 1/2	2
10	F210800	Locknut 1/2 unc	1
11	F040812	Bolt 1/2 unc. X 1 1/4 Gr.8	4
12	F310800	Lockwasher 1/2	4
13	T300026	Support Strut	1
14	KX30020	Lynch Pin	1
15	T300023	Seat Frame	1
16	KM40001	Seat Assy.	1
17	KM40003	Seat Backrest	1
18	KM40004	Seat Cushion	1
19	KM40002	Seat Belt	1
20	F040524	Bolt 5/16 unc x 2 1/2 Gr.8	1
21	KM00003	Arm Rest	1
22	F040612	Bolt 3/8 unc x 1 1/4 Gr.8	2
23	F320600	Flatwasher 3/8	4
24	F210600	Locknut 3/8 unc	2
25	F880002	Pin	1
26	T300094	Pivot Plate	1
27	KM00002	Gas Strut	1
28	KM99013	Ball Stud	2
29	F210500	Locknut 5/16 unc	2
30	KE90012	Lamp Worklight 12V	2
31	KE90014	12V 55W Replacement Bulb	2
32	T500125	Strobe Light Kit (Special order)	1
33	KM99028	Manual Container	1
34	F590404	Bolt 1/4 unc x 1/2 Btn. Hd. Soc. S/S	4
35	F350400	Flatwasher 1/4 S/S	8
36	F210400	Locknut 1/4 unc	6
37	D001-021	Decal. ' Do not jump.....'	1
38	D001-047	Decal. ' Danger. Crushing hazard....'	1
39	D001-013	Decal. ' KESMAC '	1
40	D001-026	Decal. ' Stay clear of overhead wires...'	1
41	T100958	Bracket. Strobe light mount.	1
42	T300240	Latch Side Resraint	1
43	T101187	Latch Mounting Bracket	1
44	T101195	Handle	1
45	T101222	Latch	1
46	KM99009	Latch Hand Grip/Cover	1
47	F310600	Lockwasher 3/8	2
48	F040610	Bolt 3/8 unc x 1 Gr.8	2
49	F040512	Bolt 5/16 unc x 1 1/4 Gr. 8	4
50	F230500	Nut 5/16 unc	4
51	F580406	Bolt 1/4 x 3/4 Pan Head	2
52	F320500	Flatwasher 5/16	2

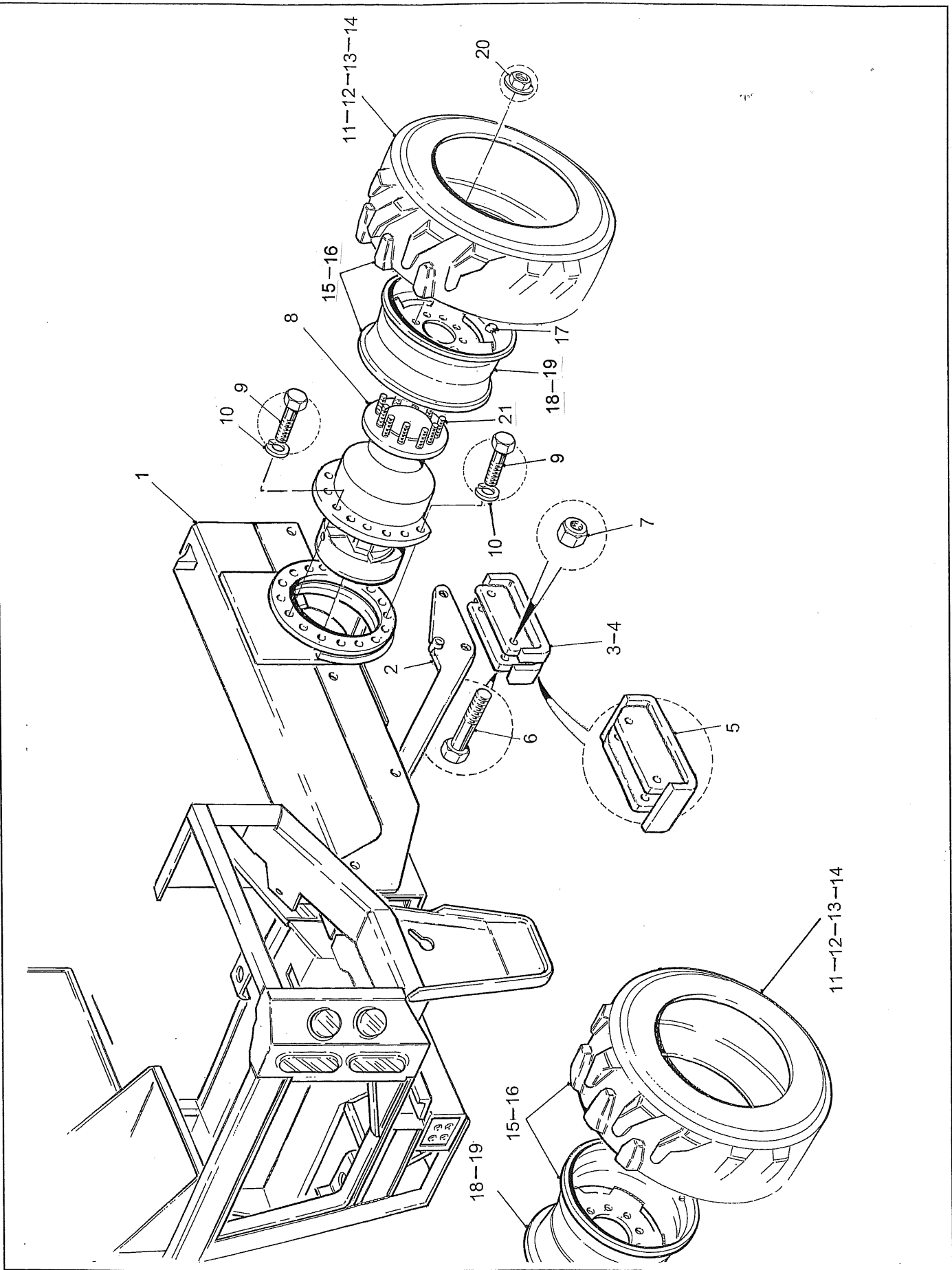
RETRACTABLE LEG 3 - WHEEL BRAKE SYSTEM
(option)



NOTE
See Page 7 for complete
Retractable Leg assembly.

NOTE
See Section 2 for complete
Hydraulic System.

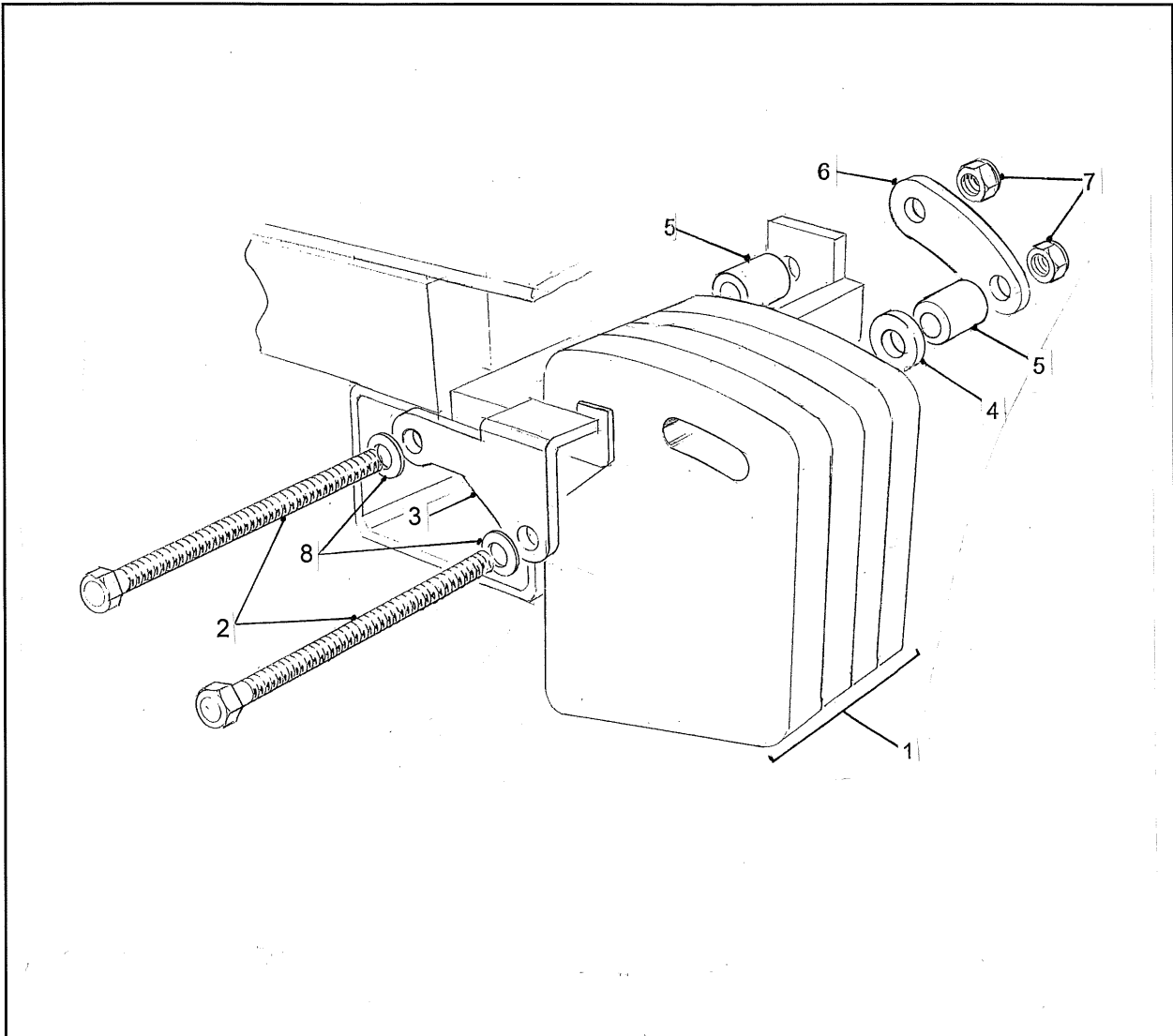
ITEM NO.	PART NO.	DESCRIPTION	QTY
RETRACTABLE LEG 3 - WHEEL BRAKE SYSTEM (option)			
1	T500118	Diff-lock Valve	1
2	T100421	Hose Clamp Inner	1
3	T100422	Hose Clamp Outer	1
4	F040616	Bolt 3/8 x 1 3/4 unc Gr.8	4
5	F040506	Bolt 5/16 unc x 3/4 Gr.8	4
6	F210500	Locknut 5/16 unc	4
7	F040610	Bolt 3/8 x 2 1/2 unc Gr.8	2
8	F320600	Flatwahr 3/8	7
9	F310600	Lockwasher 3/8	7
10	F170600	'T' Nut 3/8 unc	2
11	F040612	Bolt 3/8 x 1 1/4 unc Gr.8	3
12	T100407	Clamp Cap	1
13	T101042	Brake Line Guard	1
14	KH30004	Wheel Motor c/w Brake	3
15	T300253	Sliding Leg LH	1
16	T300254	Sliding Leg RH	1
17	4-6-520120	No. 4 Tube to No. 6 'O' Ring Connector	3
18	T101606	Hose Assembly Diff-lock 'BR' to Rear Motor	1
19	T101690	Hose Assembly Diff-lock to RH Front Motor Brake	1
20	T101644	Hose Assembly Diff-lock to LH Front Motor Brake	1
21	4-4-520120	No. 4 Tube to No. 4 'O' Ring Connector	1
22	4-4-520221	No. 4 Tube 90 deg. Swivel Elbow	1
23	F061400	Stud - 14mm. Wheel Motor	10
24	4-4-070221	No. 4 Tube to No. 4 'O' Ring 90 deg. Swivel Elbow	1
<p>NOTE</p> <p>See Page 7 for complete Retractable Leg assembly.</p>			
<p>NOTE</p> <p>See Section 2 for complete Hydraulic System.</p>			
<p>NOTE</p> <p>Item 14 KH30021 installed on Serial No. 270 & 293 KH30004 used on Serial No. 294 & up.</p>			



WHEEL MOTORS, RIMS & TIRES

ITEM NO.	PART NO.	DESCRIPTION	QTY
WHEEL MOTORS, RIMS & TIRES 4500 & 5000 Models			
1	T300143	Main Frame. 4500 model	1
	T300270	Main Frame. 5000 model	1
2	T300146	Stabilizer Leg	1
3	T300264	Stabilizer Foot RH (Shown)	1
4	T300263	Stabilizer Foot LH	1
5	T300092	Stabilizer Foot Opt. Flotation Tire (Shown)	1
	T300273	Stabilizer Foot Opt. R.H. - Trencher Tire	1
	T300272	Stabilizer Foot Opt. L.H. - Trencher Tire	1
6	F040224	Bolt 3/4 unc x 2 1/2 Gr.8	2
7	F211200	Locknut 3/4 unc	2
8	KH30003	Wheel Motor. Front	2
	KH30032	Cover Plate & 'O' Ring	2
9	F081014	Bolt 5/8 unf x 1 1/2 Gr.8	10
10	F311000	Lockwasher 5/8	10
11	KW52004	Tire. 10 x 16.5 10PR. Std.	3
12	KW52006	Tire. 33 x 12.5 x 15. Opt.	3
13	KW52016	Trencher Tire 29.00 x 12.5 x 12. Opt. Small	3
14	T100485	Spacer Plate (not illustrated - See Section 4, Page 3)	1
15	T500170	Tire & Rim Assy. Std. L.H. Front	Per. Machine 1
	T500171	Tire & Rim Assy. Std. R.H. Front & Rear	Per. Machine 2
16	T500172	Tire & Rim Assy. Flotation Opt. Large	Per. Machine 3
	T500121	Tire & Rim Assy. Trencher Opt. Small. L.H. Front	Per. Machine 1
	T500122	Tire & Rim Assy. Trencher Opt. Small. R.H. Front & Rear	Per. Machine 2
17	KW52013	Valve Stem	1
18	KW54010	Wheel Rim. L.H. & R.H. Front - Std	2
	KW54009	Wheel Rim. Rear - Std.	1
19	KW54011	Wheel Rim. Flotation & Trencher Opt.	3
20	F991400	Lug Nut	10
21	F061400	Stud - 14mm. Wheel Motor	10

ITEM NO.	PART NO.	DESCRIPTION	QTY
WEIGHT KIT			
	T500169	Weight Kit. (8 Weight Option)	1
	T500073	Weight Kit. (10 Weight Option)	1
1	H110097	Weight	A/R
2	T300161	Special Bolt	4
3	T100960	Retainer Plate. L.H.	1
	T100961	Retainer Plate. R.H.	1
4	T100913	Flatwasher	1
5	T100966	Spacer (Required with 8 Weight Option)	A/R
6	T100916	End Plate	1
7	F210800	Locknut 1/2 unc	4
8	F320800	Washer	4
R.H. Side shown.			

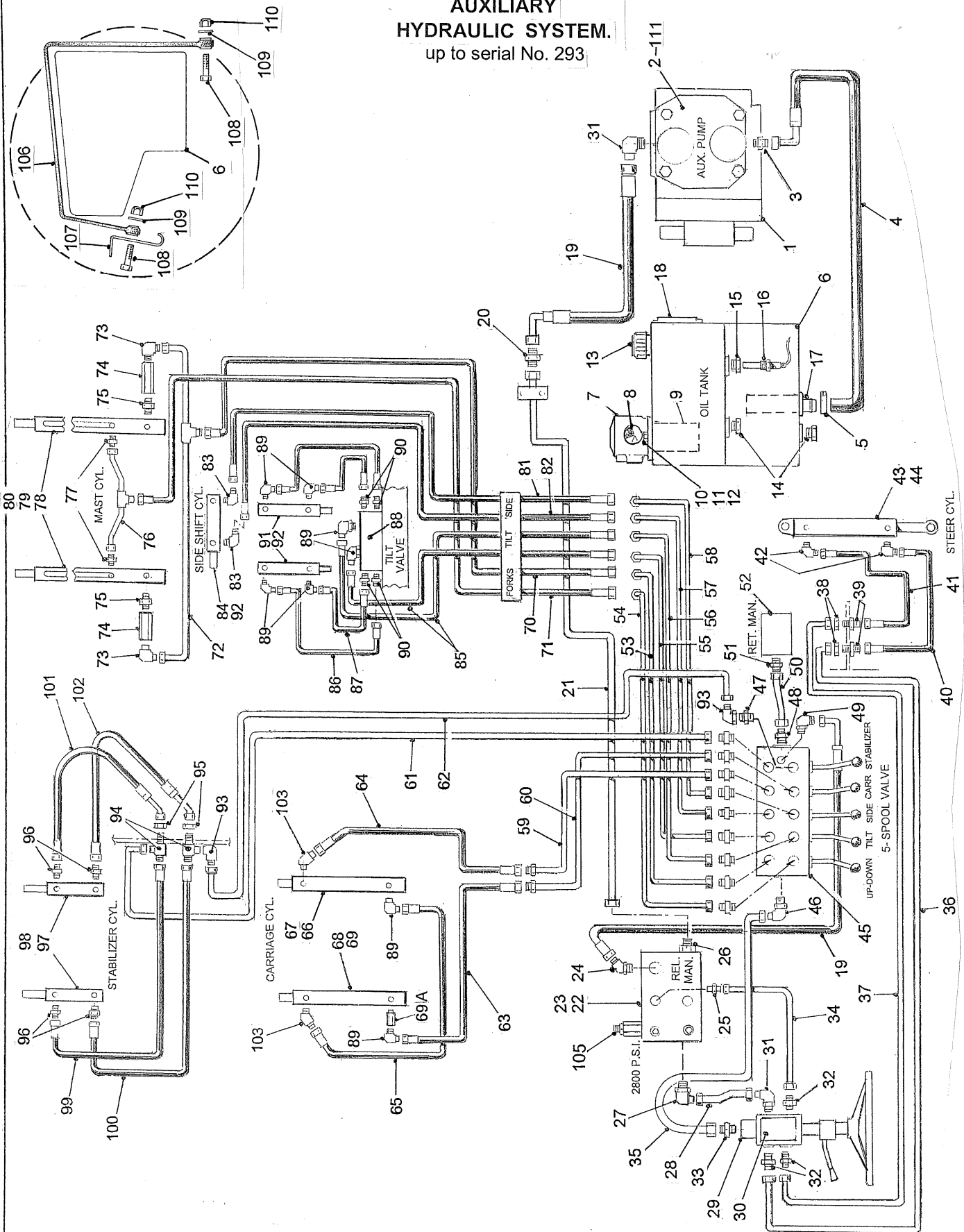


SECTION 2

Auxiliary Hydraulic System (See note) up to Serial No. 293	1
Drive Hydraulic System	7
Hydraulic Pump Drive	11
Leg Lock Hydraulic System	13
Forklift Manifolds – Service Parts	15
Auxiliary Hydraulic System (See note) from Serial No. 294	17
NOTE Serial No. 280 & up. Walvoil valve & new fittings introduced.	6

AUXILIARY HYDRAULIC SYSTEM.

up to serial No. 293



ITEM NO.	PART NO.	DESCRIPTION	QTY
HYDRAULIC SCHEMATIC			
Auxiliary System			
up to serial No. 293			
1	KH30019	Main Hydraulic Pump	1
	KH80001	'O' Ring - Main Hydraulic Pump	1
2	KH30020	Auxiliary Hydraulic Pump	1
3	16-12-520120	No.16 Tube to No.12 'O' Ring Straight Connector	1
4	T101601	Hose Assy. Aux. Pump to Tank	1
5	KM 60005	Hose Clamp	1
6	T300177	Hydraulic Oil Tank	1
7	KH40032	Filter Assy c/w Indicator	1
8	KH40035	Filter Indicator	1
9	KH40037	Filter Element (Use KH40010 for machines up to Serial No. 249)	1
10	F040610	Bolt 3/8 unc x 1	2
11	F320600	Washer 3/8	2
12	F310600	Lockwasher 3/8	2
13	KH40003	Filter/Breather Cap	1
14	12-09-0109B	No.12 'O' Ring Plug	2
15	T100456	Adaptor. Temperature Sender	1
16	KE70003	Oil Temperature Sender	1
17	KH40013	Suction Strainer	1
18	KH10003	Oil Level Gauge Assy.	1
19	T101602	Hose Assy. Aux. Pressure & Valve Bank Return.	2
20	10-10-520101	No.10 Union	1
21	T101534	Tube Assy. Pump Pressure to Relief Manifold	1
22	KH20010	Relief Manifold	1
23	KH70004	Seal Kit - Relief Manifold	1
24	10-10-520320	No.10 'O' Ring 45deg. Elbow	1
25	6-6-520120	No.6 Straight 'O' Ring Connector	1
26	10-8-520120	No.10 Tube to No.8 'O' Ring Connector	1
27	10-8-520220	No.10 Tube to No.8 'O' Ring Connector	1
28	T101530	Tube Assy. Relief Manifold to Steering	1
29	KH20002	Steering Unit	1
30	KH20001	Priority Valve	1
31	10-10-520220	No.10 Tube 'O' Ring Connector	1
32	6-6-520120	No.6 Tube to No.6 'O' Ring Connector	3
33	10-10-520120	No.10 Straight 'O' Ring Connector	1
34	T101531	Tube Assy. Steering to Relief Manifold 'S'	1
35	T101535	Tube Assy. Steering to Valve Bank	1
36	T101532	Tube Assy. Steering to Steer Cyl. Rod End	1
37	T101533	Tube Assy. Steering to Steer Cyl. Head End	1
38	6-520118	Bulkhead Nut No.6	2
39	6-6-520601	No.6 Bulkhead Union	2
40	T101614	Hose Assy	1
41	T101613	Hose Assy.	1
42	6-6-520220	No.6 'O' Ring 90deg. Elbow	2
43	T500011	Steering Cylinder	1
44	KH70107	Seal Kit- Steer Cyl.	1
45	KH20032	Valve Bank. 5-Spool	1
46	10-8-520220	No.10 Tube to No.8 'O' Ring 90deg. Elbow	1
47	6-8-520120	No.6 Tube to No.8 'O' Ring Connector	10
48	10-8-520120	No.10 Tube to No.8 'O' Ring connector	1
49	10-10-520220	No. 10 Tube to No.10 'O' Ring 90deg. Elbow	1
50	T101530	Tube Assy. Valve Bank to Return Manifold	1

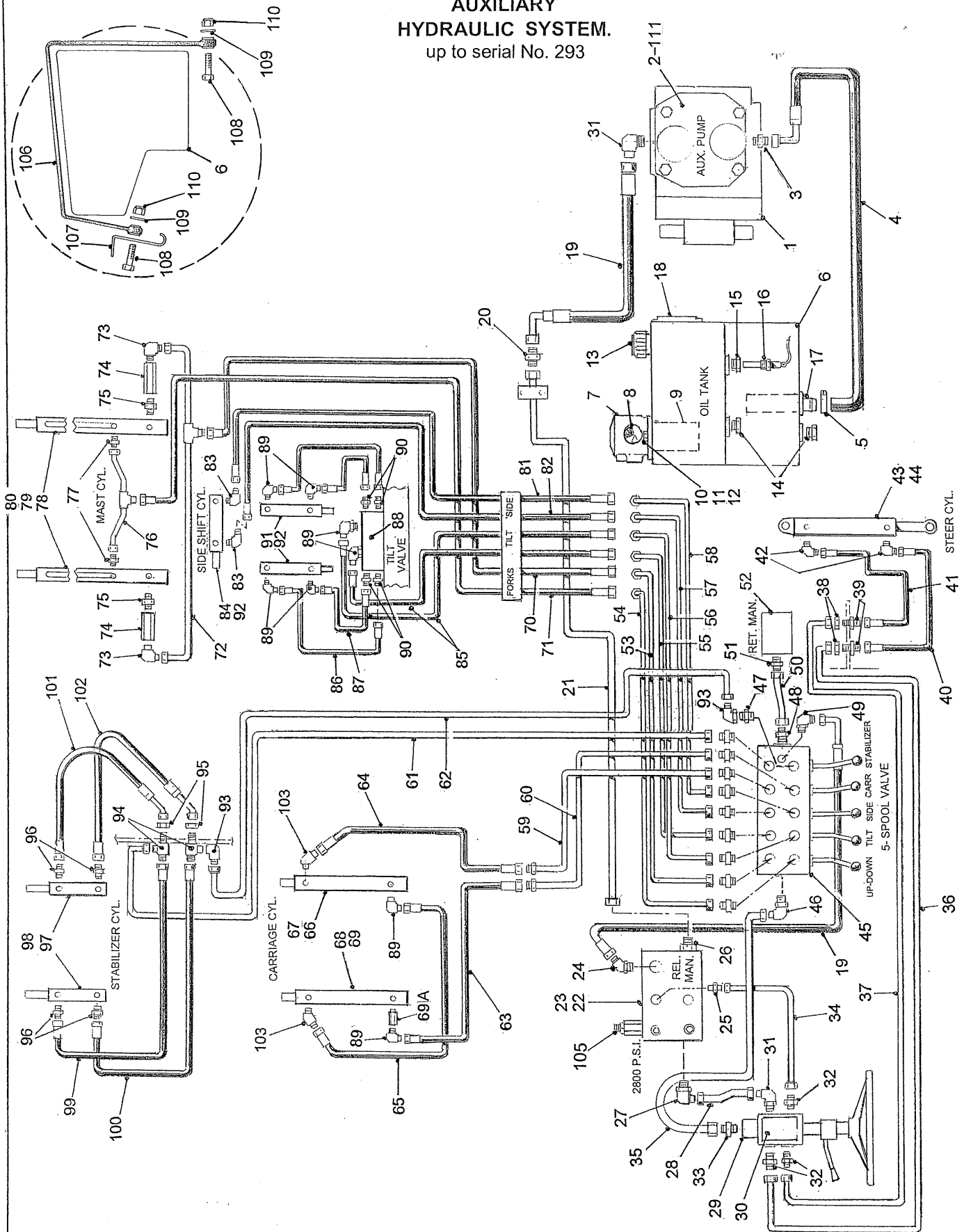
NOTE

See Page 6 for the introduction of new fittings and valves from Serial No. 280 and up,

NOTE

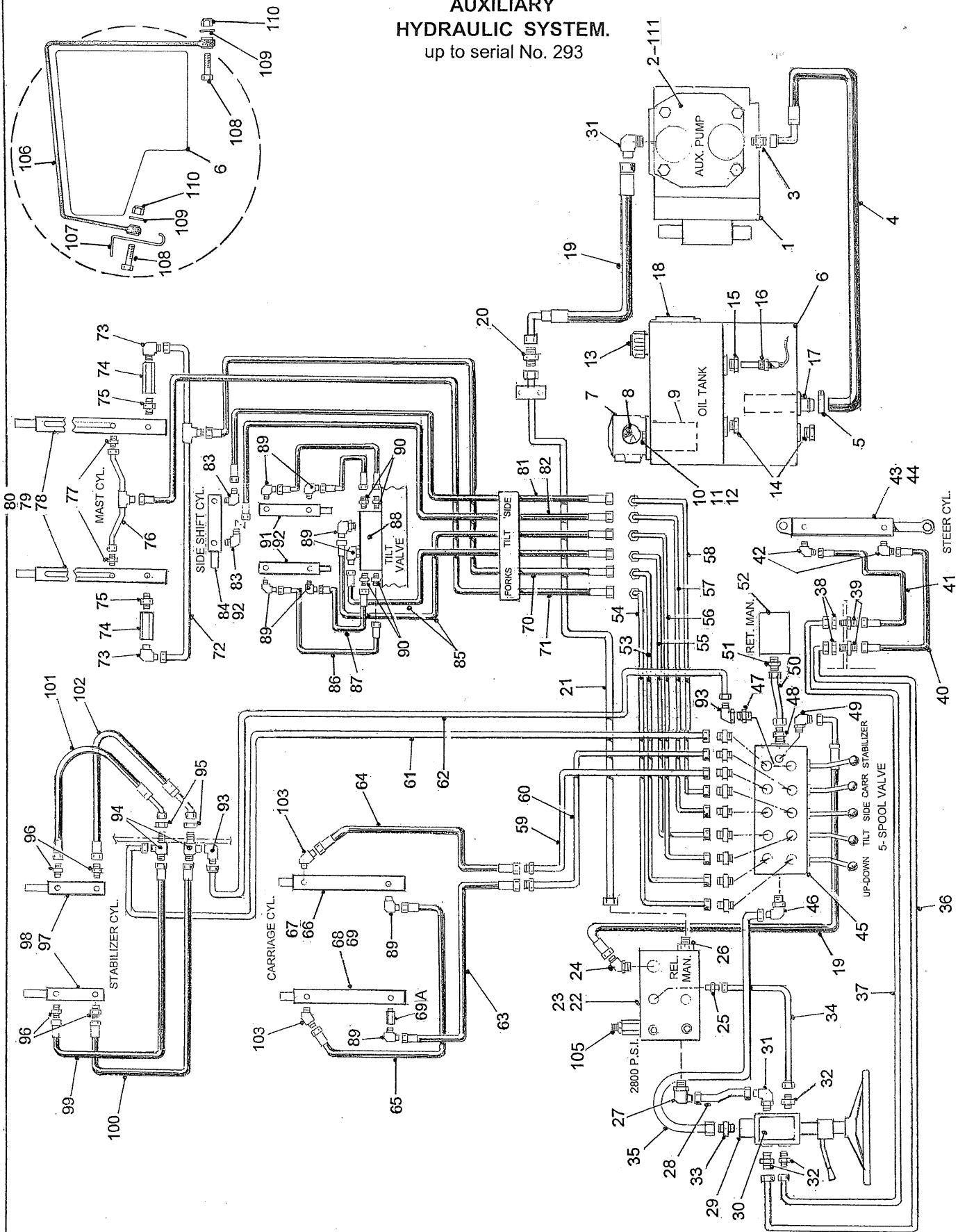
See Section 3, Page 1 for the 5-Spool and 6-Spool (option) Valve Banks.

AUXILIARY HYDRAULIC SYSTEM. up to serial No. 293



ITEM NO.	PART NO.	DESCRIPTION	QTY
HYDRAULIC SCHEMATIC			
Auxiliary System			
Up to Serial No. 293			
51	10-12-520120	No.10 Tube to No12. ' O' Ring Connector.	1
52	T500112	Return Manifold	1
53	T101536	Tube Assy. Valve Bank NO.1 Lower	1
54	T101537	Tube Assy. Valve Bank No. 1 Top	1
55	T101538	Tube Assy. Valve Bank No.2 Lower	1
56	T101539	Tube Assy. Valve Bank No.2 Top	1
57	T101540	Tube Assy.Valve Bank No.3 Lower	1
58	T101541	Tube Assy. Valve Bank No. 3 Top	1
59	T101542	Tube Assy. Valve Bank No. 4 Lower	1
60	T101543	Tube Assy. Valve Bank No.4 Top	1
61	T101544	Tube Assy. Valve Bank No. 5 Lower	1
62	T101545	Tube Assy. Valve Bank No. 5 Top	1
63	T101622	Hose Assy. Carriage Cyl. Out	1
64	T101624	Hose Assy. Carriage Cyl. In	1
65	T101623	Hose Assy. Carriage Cyl. Inter-connect	1
66	T500023	Carriage Cyl. R.H. (2.29in. Bore)	1
67	KH70076	Seal Kit. Carriage Cyl. (2.29in. Bore)	1
68	T500024	Carriage Cyl. L.H. (2.50in. Bore)	1
69	KH70077	Seal Kit. Carriage Cyl. (2.50in. Bore)	1
69A	KH20008	In-Line Relief Valve - Retractable Only	1
70	T101615	Hose Assy. Mast Raise	1
71	T101616	Hose Assy. Mast Lower	1
72	T101547	Tube Assy. Mast Lower Ports	1
73	6-6-520202	3/8 N.P.T Male to No.6 'O' Ring 90deg. Elbow	2
74	KH20021	Velocity Fuse	2
75	T100644	3/8 N.P.T Male to No.6 'O' Ring Connector	2
76	T101546	Tube Assy. Mast Top Ports	1
77	6-6-520120	No.6 Straight 'O' Ring Connector	2
78	T500013	Mast Cylinder. 10ft..Lift. (2 1/2in.bore)	2
79	T500015	Mast Cylinder. 12ft. Lift. (2 1/2in.bore)	2
80	KH70109	Seal Kit - Mast Cyl. (2 1/2in.bore)	1
81	T101620	Hose Assy. Side Shift Left	1
82	T101621	Hose Assy. Side Shift Right	1
83	6-6-520220	No.6 'O' Ring 90deg. Elbow	2
84	T500003	Side Shift Cylinder	1
85	T101643	Hose Assy. Tilt. Valve Bank Tube to Manifold	2
86	T101618	Hose Assy. Tilt back. Cylinder Head End to Manifold	2
87	T101619	Hose Assy. Tilt forward. Cylinder Rod End to Manifold	2
88	KH20035	Tilt Manifold	1
89	6-6-520220	No.6 'O' Ring 90deg. Elbow	6
90	6-6-520120	No.6 Straight 'O' Ring Connector	4
91	T500016	Tilt Cylinder	2
92	KH70107	Seal Kit . Tilt and Side Shift Cylinders.	1
93	6-6-520221	No.6 90deg. Swivel Elbow	2
94	6-6-6-520958	No.6 Bulkhead Run Tee	2
95	6-520118	No.6 Bulkhead Nut	2
96	6-6-520120	No.6 Straight 'O' Ring Connector	4
97	T500001	Stabilizer Cylinder	2
98	U17570	Seal Kit - Stabilizer Cyl.	1

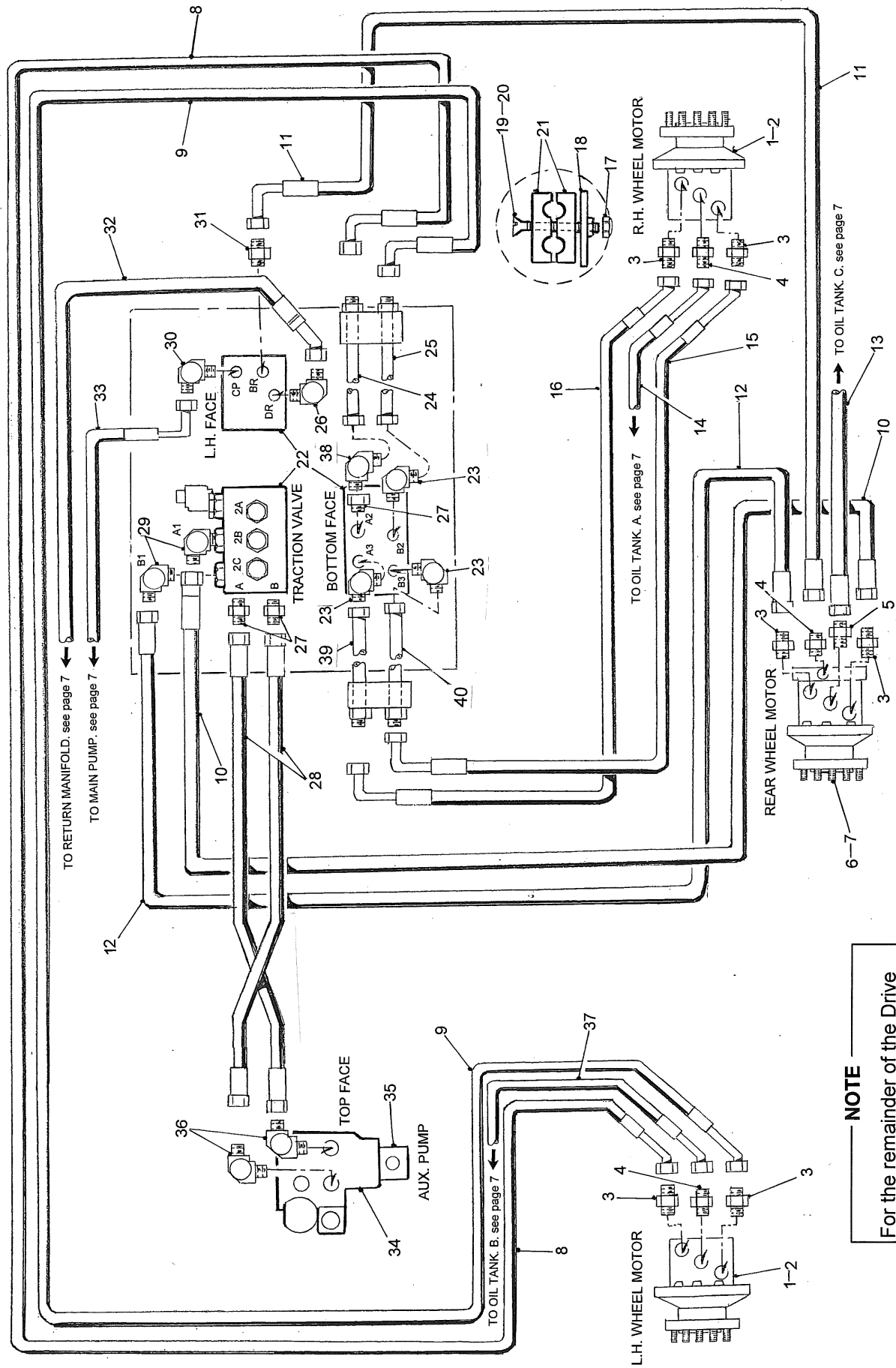
**AUXILIARY
HYDRAULIC SYSTEM.**
up to serial No. 293



ITEM NO.	PART NO.	DESCRIPTION	QTY
HYDRAULIC SCHEMATIC			
Auxiliary System			
up to Serial No. 293			
99	T101628	Hose Assy. Stabilizer L.H. Raise. Fixed Leg	1
	T101632	Hose Assy. Stabilizer L.H. Raise. Retractable	1
100	T101629	Hose Assy. Stabilizer L.H. Lower. Fixed Leg	1
	T101633	Hose Assy. Stabilizer L.H. Lower Retractable	1
101	T101631	Hose Assy. Stabilizer R.H. Raise Fixed Leg	1
	T101635	Hose Assy. Stabilizer R.H. Raise Retractable	1
102	T101630	Hose Assy. Stabilizer R.H. Lower Fixed Leg	1
	T101634	Hose Assy. Stabilizer R.H. Lower Retractable	1
103	6-6-520320	No.6 'O' Ring 45deg. Elbow	2
104	KH00017	No.12 Magnetic Plug	1
105	KH20038	Relief Valve Cartridge	1
106	T500019	Hold -down Strap c/w Bushing	1
107	T100733	Clip	1
108	F040412	Bolt 1/4 unc x 1 1/4 Gr.8	2
109	F320400	Flatwasher 1/4	2
110	F210400	Locknut 1/4 unc	2
111	F560612	Bolt 3/8 unc x 1 1/4 Ferry Cap	
SERIAL No. 280 & UP.			
Walvoil Valve & Fittings introduced			
35	T101558	Replaces. T101535	
45	KH20072	Replaces. KH20032	
47	6-6-520120	Replaces. 6-8-520120	
49	10-8-520220	Replaces. 10-10-520220	
53	T101548	Replaces. T101536	
54	T101549	Replaces. T101537	
55	T101550	Replaces. T101538	
56	T101551	Replaces. T101539	
57	T101552	Replaces. T101540	
58	T101553	Replaces. T101541	
59	T101554	Replaces. T101542	
60	T101555	Replaces. T101543	
61	T101556	Replaces. T101544	
62	T101557	Replaces. T101545	
	KH20074	Replaces. KH20031. Valve Handle Straight.	
	T101004	Replaces. T100888. Valve Handle Bent.	
NOTE			
Item numbers refer to illustration on page two/four.			

ITEM NO.	PART NO.	DESCRIPTION	QTY
HYDRAULIC SCHEMATIC			
Drive System			
1	KH30019	Main Hydraulic Pump	1
2	KH30020	Auxiliary Hydraulic Pump	1
3	6-6-6-520428	No.6 'O' Ring Run Tee	1
4	6-52011	No.6 Tube Cap	1
5	12-16-520220	No.12 Tube to No.16 'O' Ring Connector	1
6	T101612	Hose Assy. Pump to Filter	1
7	12-16-520120	No.12 Tube to No.16 .O. Ring Connector	1
8	T300177	Hydraulic Oil Tank	1
9	KH40032	Filter Assy. c/w Indicator1	1
10	KH40035	Filter Indicator	1
11	KH40034	Filter Element	1
12	F040610	Bolt 3/8 unc. x 1	2
13	F320600	Washer 3/8	2
14	F310600	Lockwasher 3/8	2
15	KH40003	Filler/ Breather Cap	1
16	KH40013	Suction Strainer	1
17	12-09-0109B	No.12 Plug	2
18	T100456	Adaptor Temperature Sender - Non Current	1
19	KE70003	Oil Temperature Sender	1
20	KH10003	Oil Level Gauge Assy.	1
21	6-6-520220	No.6 'O' Ring 90deg. Elbow	3
22	T101601	Hose. Tank to Auxiliary Pump	1
23	KH60006	Hose Clamp	3
24	T101611	Hose. Return Manifold to filter	1
25	16-16-430392	No.16 'O' Ring Boss to Beaded Tube	2
26	8-12-520220	No. 8 Tube to No.12 'O' Ring 90deg. Elbow	1
27	12-16-520220	No.12 Tube to No.16 'O' Ring 90deg. Elbow	1
28	T101608	Hose Assy. Pump to Return Manifold1	
29	T500012	Return Manifold	1
30	12-12-520120	No. Straight 'O' Ring Connector	7
31	10-12-520120	No.10 Tube to No.12 'O' Ring Connector	1
32	T101610	Hose Assy. Oil Cooler to Return Manifold	1
33	T101609	Hose Assy. Return Manifold to Oil cooler	1
34	8-8-520220	No.8 'O' Ring 90deg. Elbow	3
35	T101607	Hose Assy. Diff-lock return to Return Manifold	1
36	KH40008	Oil Cooler	1
37	KH00021	Seal Nut	2
38	8-8-520202	1/2 N.P.T. to No.8 'O' Ring 90deg. Elbow	1
39	8-8-520120	1/2 N.P.T. to No.8 'O' Ring Connector	1
40	T101625	Hose Assembly. Rear Motor Case Drain	1
41	T101626	Hose Assembly. Motor Case Drain. R.H. Motor. Fixed Leg	1
	T100642	Hose Assembly. Motor Case Drain. R.H. Motor. Retractable Leg	1
42	T100627	Hose Assembly. Motor Case Drain. L.H. Motor. Fixed Leg	1
	T100641	Hose Assembly. Motor Case Drain. L.H. Motor. Retractable Leg	1
43	T101605	Hose Assembly. Diff-lock 'CP' to Pump	1
44	KH20032	5 - Spool Valve	1
45	KH20072	5 - Spool Valve (Current from Serial No. 280.)	1
	KH20073	6 - Spool Valve (Option - Current from Serial No. 280.)	1
	KH20102	Seal Kit (For Valve Banks KH20072 & KH20073)	1
46	KH00017	No.12 Magnetic Plug	1
47	T101530	Tube Assembly. Relief Valve to Spool Valve	1

HYDRAULIC SCHEMATIC Drive System

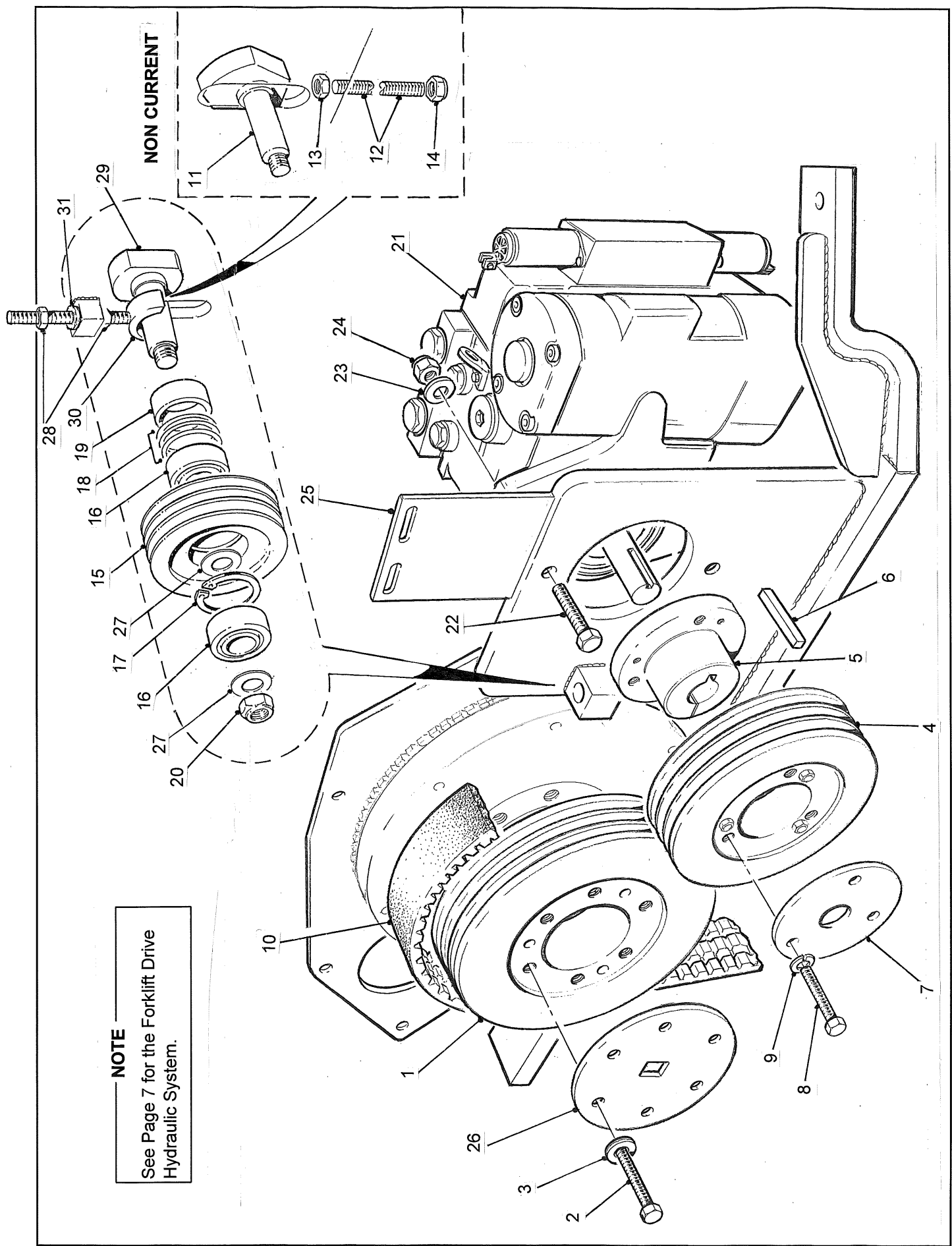


NOTE
For the remainder of the Drive Hydraulic System see Page 7.

ITEM NO.	PART NO.	DESCRIPTION	QTY
HYDRAULIC SCHEMATIC Drive System			
1	KH30003	Wheel Motor. Front	2
	KH30032	Seal Kit. (Includes Cover Plate and Piston 'O' Ring)	A/R
2	KH80005	O' Ring. Wheel Motor Cover	2
3	12-12-520120	3/4 Std. Thread 'O' Ring Connector	1
4	6-8-520120	No.6 Tube to No.8 'O' Ring Connector	3
5	4-6-070120	No.4 Tube to No.6 'O' Ring Connector	1
6	KH30004	Wheel Motor. Rear	1
7	KH30015	Seal Kit	1
8	T100645	Hose Assy. Diff-lock A2 to L.H. Motor - Fixed Leg	1
9	T100647	Hose Assembly. Diff-lock B2 to L.H. Motor - Fixed Leg	1
10	T100680	Hose Assembly. Diff-lock ' A1 ' to Rear Motor	1
11	T101606	Hose Assembly. Diff-lock ' BR ' to Rear Motor Brake	1
12	T100681	Hose Assembly. Diff-lock ' B ' to Rear Motor	1
13	T101625	Hose Assembly. Rear Motor Case Drain	1
14	T101626	Hose Assembly. Motor Case Drain. R.H. Motor. Fixed Leg	1
	T100641	Hose Assembly. Motor Case Drain. R.H. Motor. Retractable	1
15	T100648	Hose Assembly. Diff-lock ' B3 ' to R.H. Motor - Fixed Leg	1
16	T100646	Hose Assembly. Diff-lock ' A3 ' to R.H. Motor -Fixed Leg	1
17	F210500	Locknut 5/16 unc	2
18	T100862	Bar Nut	2
19	F530530	Bolt 5/16 unc x 3 Flat Hd. Slot (Driver side)	1
20	F040530	Bolt 5/16 unc x 3 Hex. Hd. (Engine side)	1
21	KH65009	Steel Line Clamp	4
22	T500118	Diff-lock Valve	1
23	16-16-520220	No.16 ' O ' Ring 90 deg. Elbow	3
24	T100601	Tube Assembly. Diff-lock ' A2 ' to L.H. Motor - Up to Serial No. 452	1
	T101559	Tube Assembly. Diff-lock ' A2 ' to L.H. Motor - From Serial No. 453	1
25	T100602	Tube Assembly. Diff-lock ' B2 ' to L.H. Motor - Up to Serial No. 452	1
	T101600	Tube Assembly. Diff-lock ' B2 ' to L.H. Motor - From Serial No. 453	1
26	8-8-520220	No.8 'O' Ring 90deg. Elbow	2
27	16-16-520120	No.16 ' O ' Ring Str. Thread.	3
28	T100682	Hose Assembly. Pump to ' AB ' in Diff-lock	2
29	12-12-520220	No.12 Tube ' O ' Ring 90 deg. Elbow	2
30	4-4-520220	No.4 ' O ' Ring 90 deg. Elbow	1
31	4-4-520120	No.4 Straight ' O ' Ring Connector	1
32	T101607	Hose Assy. Diff-lock return to Return Manifold	1
33	T101605	Hose Assembly. Diff-lock ' CP ' to Pump	1
34	KH30019	Main Hydraulic Pump	1
35	KH30020	Auxiliary Hydraulic Pump	1
36	16-12-520220	No.16 Tube toNo.12 'O' Ring Connector	2
37	T100627	Hose Assembly. Motor Case Drain. L.H. Motor. Fixed Leg	1
	T100642	Hose Assembly. Motor Case Drain. L.H. Motor. Retractable	1
38	16-16-520221	No. 16 'O' Ring Swivel Elbow	1
39	T100603	Tube Assembly. Diff-Lock 'A3' to R.H. Motor	1
40	T100604	Tube Assembly. Diff-Lock 'B3' to R.H. Motor	1

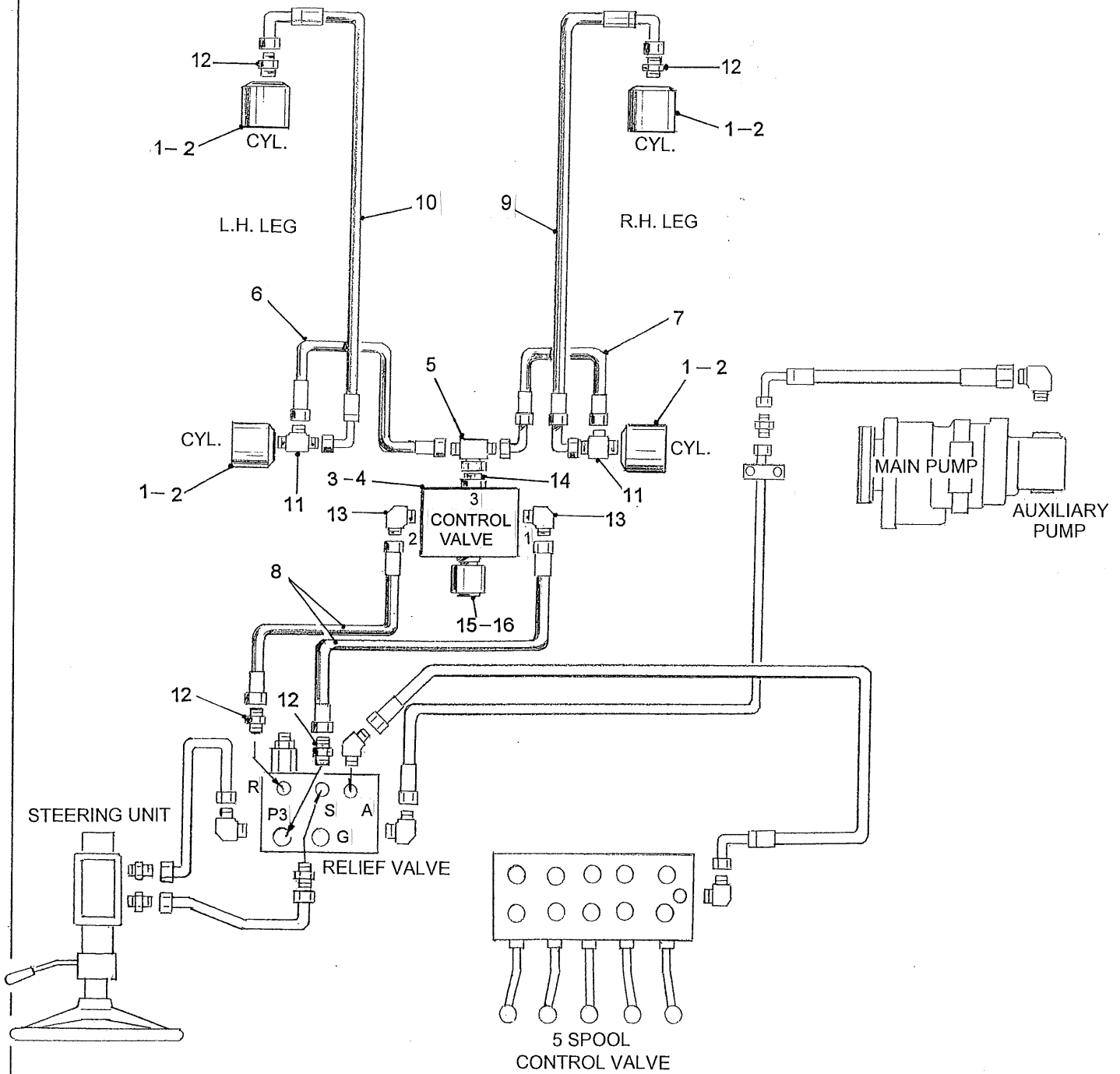
NOTE
See Page 7 for the Forklift Drive Hydraulic System.

NON CURRENT



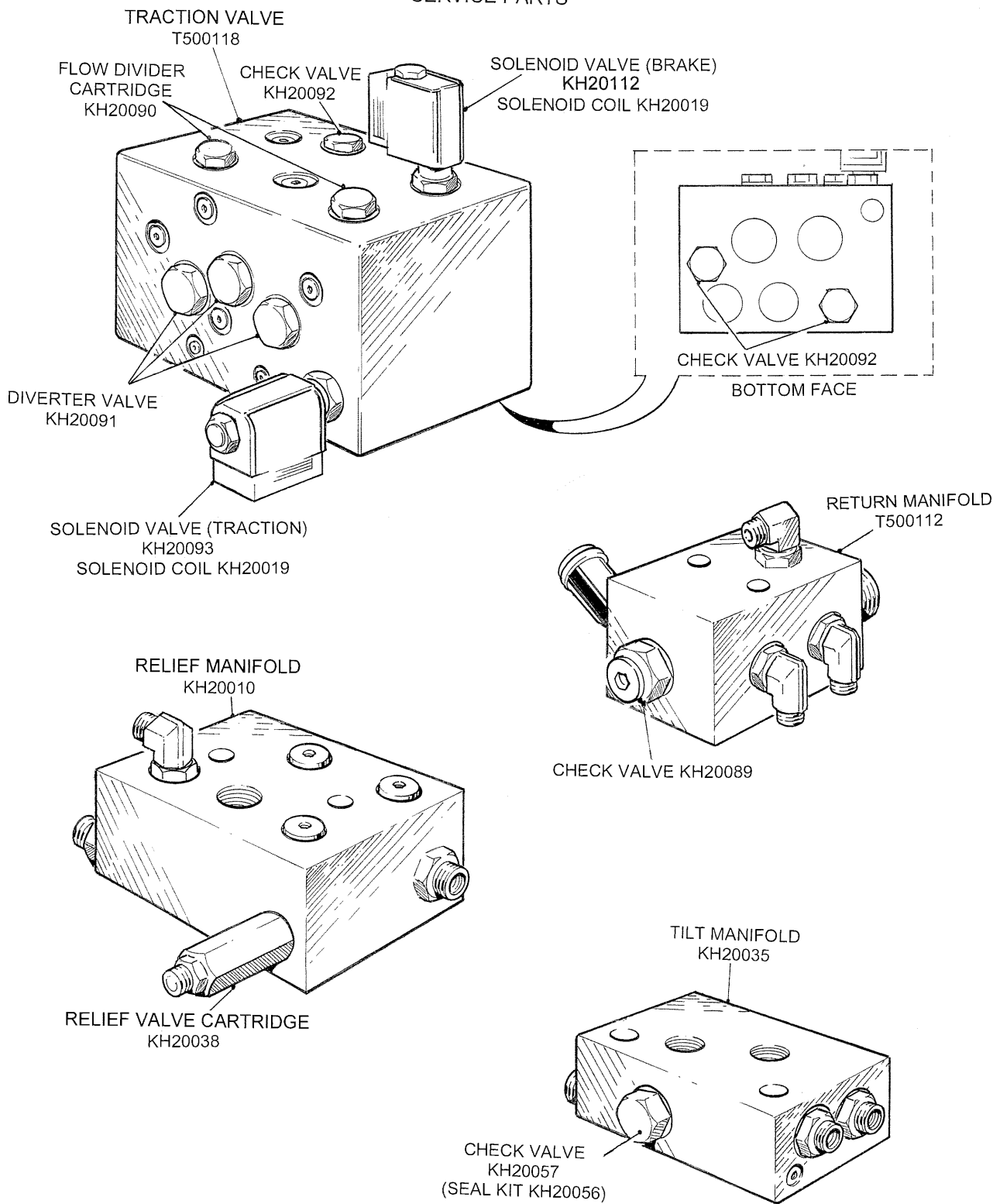
ITEM NO.	PART NO.	DESCRIPTION	QTY
HYDRAULIC PUMP DRIVE			
1	T100051	Drive Sheave	1
2	G0710050	Bolt 10 x 1.25 x 50 mm.	6
3	G461000	Washer 10 mm. Disc-lock	6
4	T100965	Driven Sheave	1
5	KD52010	Bushing - Taper lock	1
6	F924414	Key 1/4 x 1/4 x 1 1/2	1
7	T100330	Plate - Driven sheave	1
8	F030520	Bolt 5/16 unc x 2.Full thread	3
9	F310500	Lockwasher 5/16	3
10	KD62425	Drive Belt	1
11	T100058	Shaft - Idler pulley - Non Current	1
12	T100331	Threaded Rod. #/8 unc - Non Current	1
13	F220600	Nut 3/8 unc. Jam - Non Current	2
14	F210600	Locknut 3/8 unc - Non Current	1
15	T100053	Idler Sheave	1
16	KB16204	Sealed Bearing	2
17	KX10185	Snap Ring - Internal	1
18	T100495	Shim Washer	A/R
19	T100064	Spacer - Idler bearing	1
20	F271250	Locknut 3/4 unf. Jam	1
21	KH30019	Hydraulic Pump	1
22	F040820	Bolt 1/2 unc x 2 Gr.8	2
23	F320800	Washer 1/2	2
24	F210800	Locknut 1/2 unc	2
25	T300176	Hydraulic Pump Mount	1
26	T101188	Wrench Adaptor	1
27	T100065	Bearing Spacer	2
28	F230600	Nut 3/8 unc	2
29	T101214	Drive Belt Idler Stud - Rear Adjustment	1
30	T300244	Belt Tensioner	1
31	F310600	Lockwasher 3/8	1

LEG LOCKS. HYDRAULIC SCHEMATIC



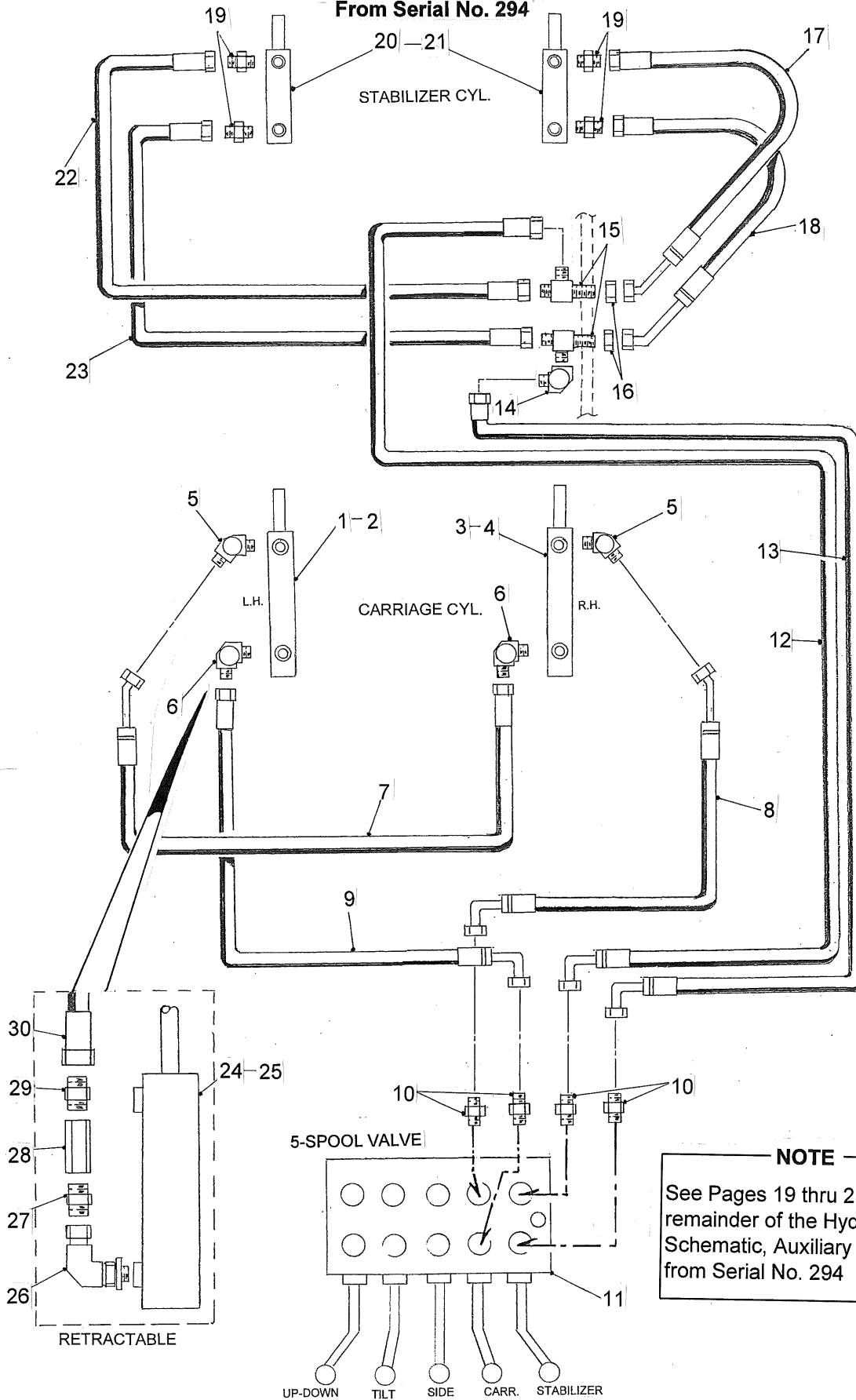
ITEM NO.	PART NO.	DESCRIPTION	QTY
HYDRAULIC SCHEMATIC Retractable Leg Lock System			
1	T500004	Leg Lock Cylinder	4
2	KH70086	Seal Kit - leg lock cyl.	1
3	KH20018	Control Valve	1
4	KH70007	Seal Kit - Control Valve Assembly	1
5	4-4-4-520433	No. 4. Swivel Branch Tee	1
6	T101640	Hose Assy. Control Valve to L.H. side	1
7	T101639	Hose Assy. Control Valve to R.H. side	1
8	T101638	Hose Assy. Relief Valve to Control Valve	2
9	T101637	Hose Assy. Inter-connect to L.H. Leg Lock Cyl.	1
10	T101636	Hose Assy. Inter -connect to R.H. Leg Lock Cyl.	1
11	4-4-4-520428	No.4 Run Tee	2
12	4-4-520120	No.4 Straight ' O ' Ring Connector	4
13	4-6-520220	No.4 Tube to No.6 ' O ' Ring Connector. 90deg. Elbow	2
14	4-6-520320	No.4 Tube to No.6 ' O ' Ring connector. 45deg. Elbow	1
15	KH20020	Solenoid Cartridge	1
16	KH20019	Solenoid Coil	1

FORKLIFT MANIFOLDS & VALVES
SERVICE PARTS



This page intentionally blank.

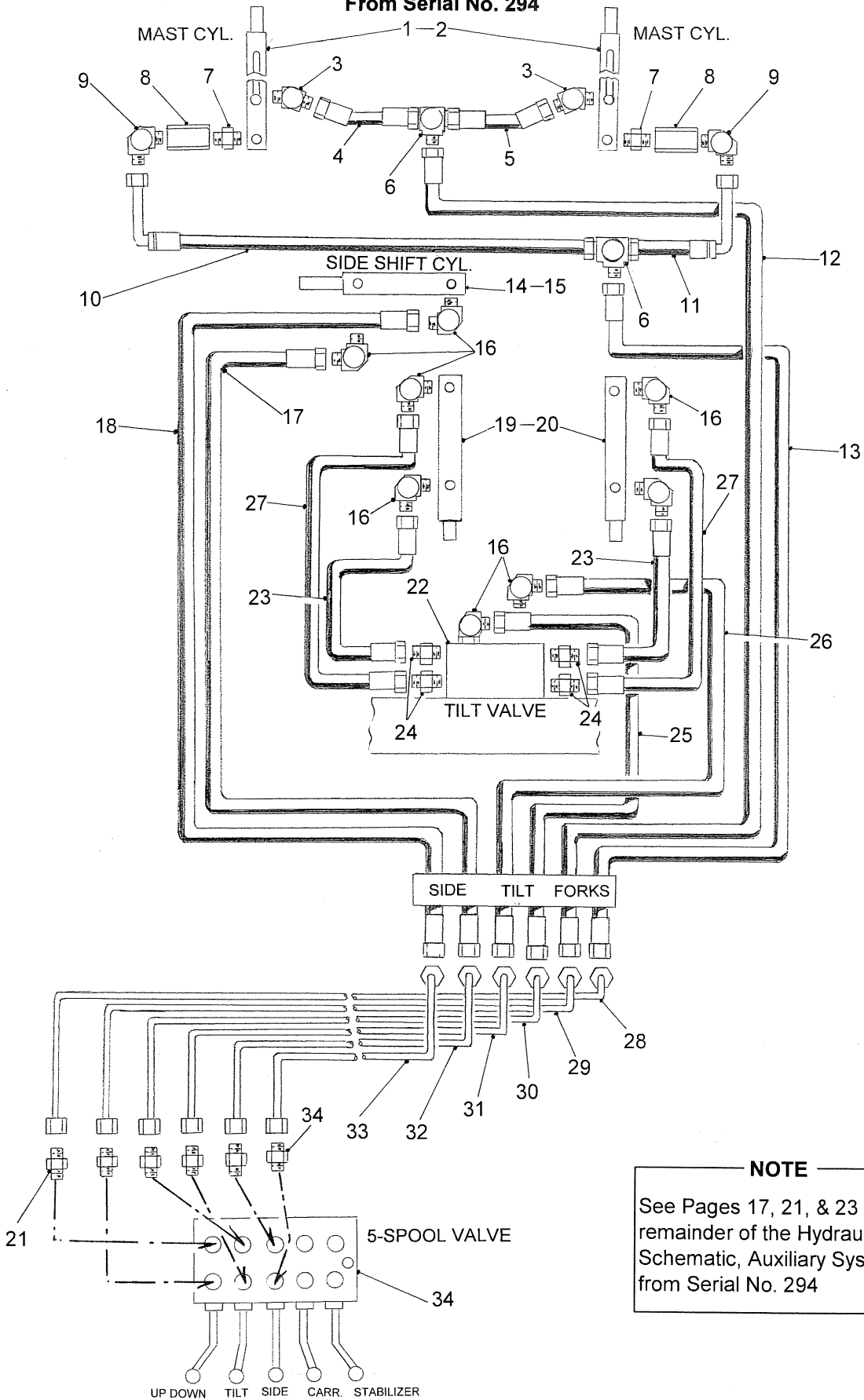
HYDRAULIC SCHEMATIC
Auxiliary System
From Serial No. 294



NOTE
 See Pages 19 thru 23 for the remainder of the Hydraulic Schematic, Auxiliary System from Serial No. 294

ITEM NO.	PART NO.	DESCRIPTION	QTY
HYDRAULIC SCHEMATIC Auxiliary System from Serial No. 294			
1	T500024	Carriage Cyl. L.H. (2.50in. Bore)	1
2	U26405	Seal Kit. Carriage Cyl. (2.50in. Bore)	1
3	T500023	Carriage Cyl. R.H. (2.29in. Bore)	1
4	KH70076	Seal Kit. Carriage Cyl. (2.29in. Bore)	1
5	6-6-520320	No.6 'O' Ring 45deg Elbow	4
6	6-6-520220	No.6 'O' Ring 90deg. Elbow	2
7	T101623	Hose Assy. Carriage Cyl. Inter-connect	1
8	T101660	Hose Assy. Valve Bank No. 4 Lower to Carriage Cyl. In	1
9	T101661	Hose Assy. Valve Bank No.4 Top to Carriage Cyl. Out	1
10	6-6-520120	No.6 Straight 'O' Ring Connector	2
11	KH20072	5 - Spool Valve (Current from Serial No. 280.)	1
	KH20073	6 - Spool Valve (Option - Current from Serial No. 280.)	1
	KH20102	Seal Kit (Valve Banks KH20072 & KH20073)	1
	KH20103	Lever Box Assembly (Valve Banks KH20072 & KH20073)	1
	KH20104	Rubber Boot. Lever Box (Valve Banks KH20072 & KH20073)	1
	KH20105	Spool. Lever Box (Valve Banks KH20072 & KH20073)	1
12	T101662	Hose Assy. Valve Bank No. 5 Lower - Raise	1
13	T101663	Hose Assy. Valve Bank No. 5 Top - Lower	1
14	6-6-520221	No.6 90deg. Swivel Elbow	1
15	6-6-6-520958	No.6 Bulkhead Run Tee	2
16	6-520118	No.6 Bulkhead Nut	2
17	T101631	Hose Assy. Stabilizer R.H. Raise Fixed Leg	1
	T101635	Hose Assy. Stabilizer R.H. Raise Retractable	1
18	T101630	Hose Assy. Stabilizer R.H. Lower Fixed Leg	1
	T101634	Hose assy. Stabilizer R.H. Lower Retractable	1
19	6-6-520120	No.6 Straight 'O' Ring Connector Fixed Leg	4
	6-6-520320	No.6 45 deg. 'O' Ring Connector Retractable	4
20	T500001	Stabilizer Cylinder	2
21	U17570	Seal Kit - Stabilizer Cyl.	1
22	T101628	Hose Assy. Stabilizer L.H. Raise. Fixed Leg	1
	T101632	Hose Assy. Stabilizer L.H. Raise. Retractable	1
23	T101629	Hose Assy. Stabilizer L.H. Lower. Fixed Leg	1
	T101633	Hose Assy. Stabilizer L.H. Lower Retractable	1
24	T500024	Carriage Cyl. L.H. (2.50in. Bore)	1
25	KH70077	Seal Kit. Carriage Cyl. (2.50in. Bore)	1
26	6-6 520281	No.6 Female Orfs to No. 6 'O'Ring 90deg Elbow	1
27	6-8-520120	No.6 Tube to No.8 'O' Ring Connector	1
28	KH20008	In-Line Relief Valve - Retractable Only	1
29	6-8-520120	No.6 Tube to No.8 'O' Ring Connector	1
30	T101623	Hose Assy. Carriage Cyl. Inter-connect	1

**HYDRAULIC SCHEMATIC
Auxiliary System
From Serial No. 294**

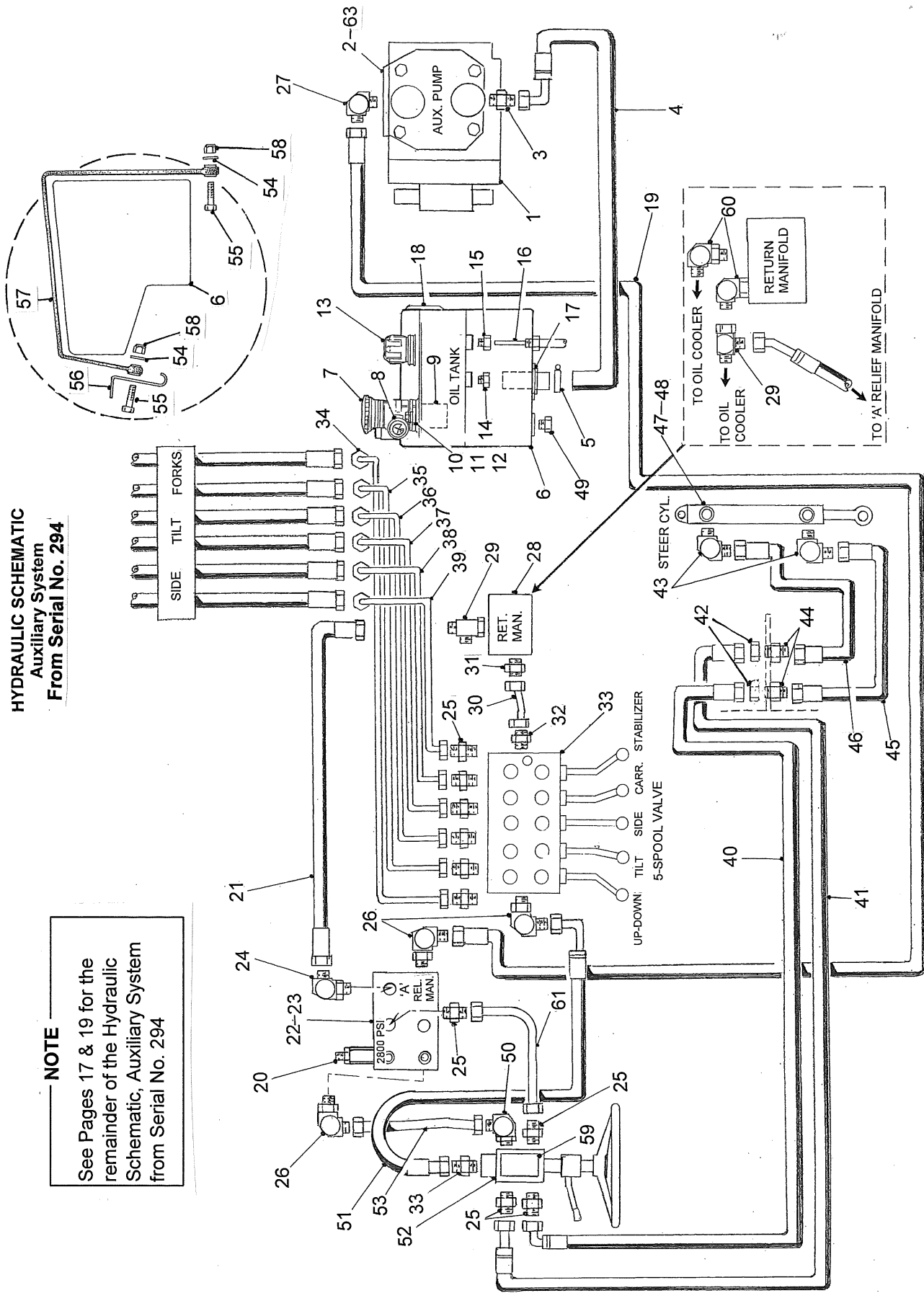


NOTE
See Pages 17, 21, & 23 for the remainder of the Hydraulic Schematic, Auxiliary System from Serial No. 294

ITEM NO.	PART NO.	DESCRIPTION	QTY
HYDRAULIC SCHEMATIC			
Auxiliary System			
from Serial No. 294			
1	T500013	Mast Cylinder. 10ft..Lift. (2 1/2in.bore)	2
	T500015	Mast Cylinder. 12ft. Lift. (2 1/2in.bore)	2
2	KH70109	Seal Kit - Mast Cyl. (2 1/2in.bore)	1
3	6-6-520320	No.6 'O' Ring 45deg Elbow	2
4	T101665	Hose Assy. Mast Top Ports LH	1
5	T101666	Hose Assy. Mast Top Ports RH	1
6	6-6-6 520401	No. 6 Tee	2
7	T100644	3/8 N.P.T Male to No.6 'O' Ring Connector	2
8	KH20021	Velocity Fuse	2
9	6-6-520202	3/8 N.P.T Male to No.6 ORFS 90deg Elbow	2
10	T101667	Hose Assy. Mast Lower Ports LH	1
11	T101668	Hose Assy. Mast Lower Ports RH	1
12	T101616	Hose Assy. Mast Lower	1
13	T101615	Hose Assy. Mast Raise	1
14	T500003	Side Shift Cylinder	1
15	U17587	Seal Kit . Tilt and Side Shift Cylinders.	1
16	6-6-520220	No.6 'O' Ring 90deg. Elbow	6
17	T101621	Hose Assy. Side Shift Right	1
18	T101620	Hose Assy. Side Shift Left	1
19	T500016	Tilt Cylinder	2
20	KH70107	Seal Kit . Tilt and Side Shift Cylinders.	1
21	6-6-520220	No.6 'O' Ring 90deg. Elbow	4
22	KH20035	Tilt Manifold	1
23	T101619	Hose Assy. Tilt forward. Cylinder Rod End to Manifold	2
24	6-6-520120	No.6 Straight 'O' Ring Connector	4
25	T101684	Hose Assy. Tilt. Valve Bank Tube to Manifold - Tilt Forward	1
26	T101685	Hose Assy. Tilt. Valve Bank Tube to Manifold - Tilt Back	1
27	T101618	Hose Assy. Tilt back. Cylinder Head End to Manifold	2
28	T101548	Tube Assy. Valve Bank No.1 Lower	1
29	T101549	Tube Assy. Valve Bank No. 1 Top	1
30	T101550	Tube Assy. Valve Bank No.2 Lower	1
31	T101551	Tube Assy. Valve Bank No.2 Top	1
32	T101552	Tube Assy. Valve Bank No.3 Lower	1
33	T101553	Tube Assy. Valve Bank No. 3 Top	1
34	KH20072	5 - Spool Valve (Current from Serial No. 280.)	1
	KH20073	6 - Spool Valve (Option - Current from Serial No. 280.)	1
	KH20102	Seal Kit (For Valve Banks KH20072 & KH20073)	1
	KH20103	Lever Box Assembly (Valve Banks KH20072 & KH20073)	1
	KH20104	Rubber Boot. Lever Box (Valve Banks KH20072 & KH20073)	1
	KH20105	Spool. Lever Box (Valve Banks KH20072 & KH20073)	1

HYDRAULIC SCHEMATIC
 Auxiliary System
 From Serial No. 294

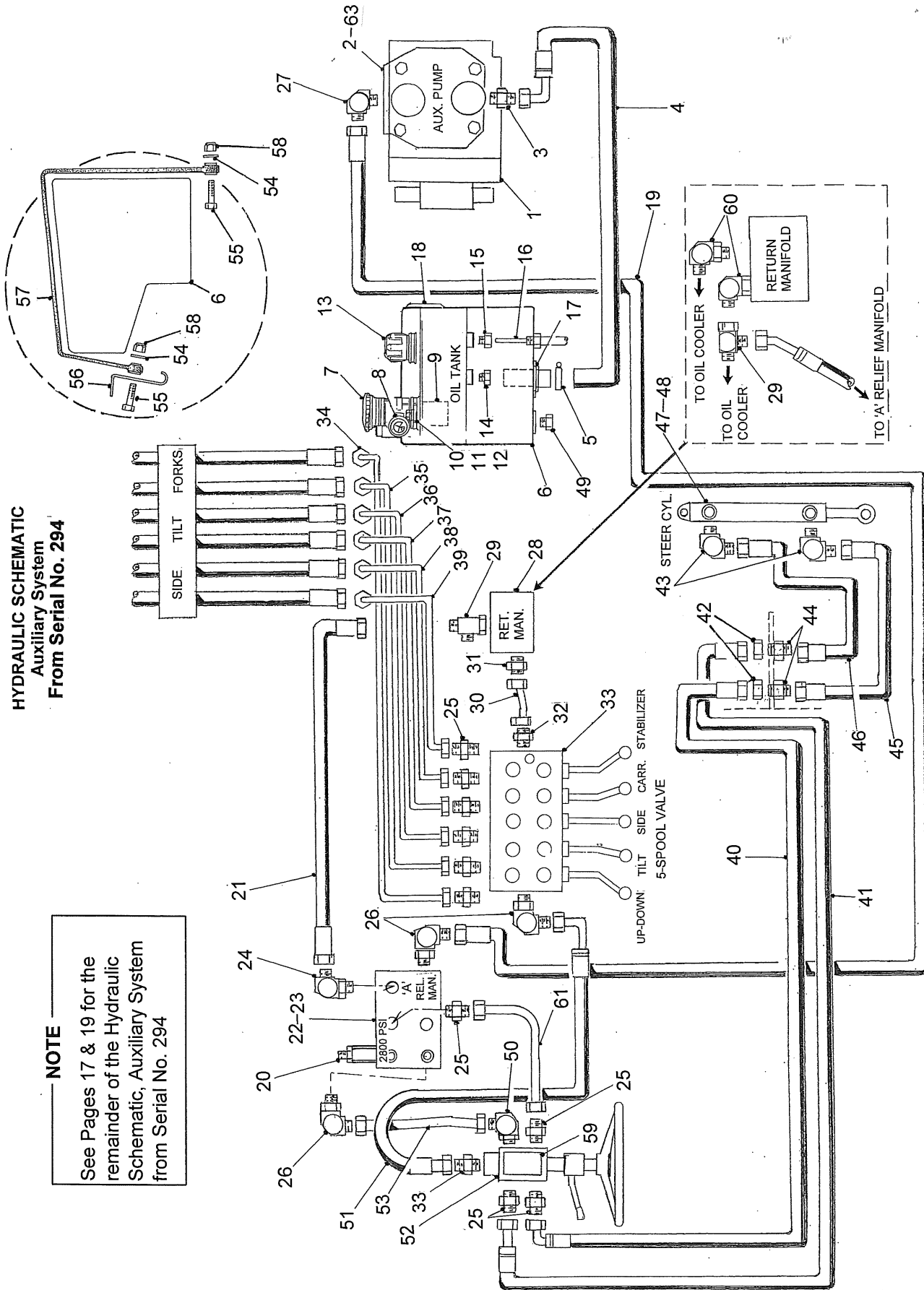
NOTE
 See Pages 17 & 19 for the remainder of the Hydraulic Schematic, Auxiliary System from Serial No. 294



ITEM NO.	PART NO.	DESCRIPTION	QTY
HYDRAULIC SCHEMATIC Auxiliary System from Serial No. 294			
1	KH30019	Main Hydraulic Pump	1
	KO00301	'O' Ring - Main Hydraulic Pump	1
2	KH30020	Auxiliary Hydraulic Pump	1
3	16-12-520120	No.16 Tube to No.12 'O' Ring Straight Connector	1
4	T101601	Hose Assy. Tank to Aux. Pump	1
5	KM60005	Hose Clamp	1
6	T300177	Hydraulic Oil Tank	1
7	KH40032	Filter Assy c/w Indicator	1
8	KH40035	Filter Indicator	1
9	KH40037	Filter Element	1
10	F040610	Bolt 3/8 unc x 1	2
11	F320600	Washer 3/8	2
12	F310600	Lockwasher 3/8	2
13	KH40003	Filter/Breather Cap	1
	KH40040	Filter Cap	1
14	12-09-0109B	No.12 'O' Ring Plug	2
15	T100456	Adaptor. Temperature Sender - Non Current from Serial No.	1
16	KE70003	Oil Temperature Sender	1
17	KH40012	Suction Strainer	1
18	KH10003	Oil Level Gauge Assy.	1
19	T101651	Hose Assy. Aux. Pressure	2
20	6-6-6 520401	No. 6 Tee	2
21	T101664	Hose Assy. Relief Manifold to Return Manifold	1
22	KH20010	Relief Manifold	1
23	KH70004	Seal Kit - Relief Manifold	1
24	6-10-520220	No. 6 Tube to No. 10 'O' Ring 90deg Elbow	1
25	6-6-520120	No.6 Straight 'O' Ring Connector	10
26	10-8-520220	No.10 Tube to No.8 'O' Ring 90deg. Elbow	3
27	10-10-520220	No.10 Tube 'O' Ring 90deg Elbow	1
28	T500112	Return Manifold	1
29	6-6-6 520432	No.6 Run Tee	1
30	T101530	Tube Assy. Relief Manifold to Steering & Valve Bank to Return Man.	2
31	10-12-520120	No.10 Tube to No12. ' O' Ring Connector.	1
32	10-8-520120	No.10 Tube to No.8 'O' Ring Connector	1
33	KH20072	5 - Spool Valve (Current from Serial No. 280.)	1
	KH20073	6 - Spool Valve (Option - Current from Serial No. 280.)	1
	KH20102	Seal Kit (For Valve Banks KH20072 & KH20073)	1
	KH20103	Lever Box Assembly (Valve Banks KH20072 & KH20073)	1
	KH20104	Rubber Boot. Lever Box (Valve Banks KH20072 & KH20073)	1
	KH20105	Spool. Lever Box (Valve Banks KH20072 & KH20073)	1
34	T101548	Tube Assy. Valve Bank No.1 Lower	1
35	T101549	Tube Assy. Valve Bank No. 1 Top	1
36	T101550	Tube Assy. Valve Bank No.2 Lower	1
37	T101551	Tube Assy. Valve Bank No.2 Top	1
38	T101552	Tube Assy. Valve Bank No.3 Lower	1
39	T101553	Tube Assy. Valve Bank No. 3 Top	1
40	T101648	Hose Assy. Steering to Steer Cyl. Rod End L.H. Turn	1
41	T101649	Hose Assy. Steering to Steer Cyl. Head End R.H. Turn	1

HYDRAULIC SCHEMATIC
Auxiliary System
From Serial No. 294

NOTE
 See Pages 17 & 19 for the remainder of the Hydraulic Schematic, Auxiliary System from Serial No. 294



ITEM NO.	PART NO.	DESCRIPTION	QTY
HYDRAULIC SCHEMATIC Auxiliary System from Serial No. 294			
42	6-520118	Bulkhead Nut No.6	2
43	6-6-520220	No.6 'O' Ring 90deg. Elbow	2
44	6-6-520601	No.6 Bulkhead Union	2
45	T101613	Hose Assy Steering Unit - L.H. Turn	1
46	T101614	Hose Assy Steering Unit - R.H. Turn	1
47	T500011	Steering Cylinder	1
48	KH70107	Seal Kit- Steer Cyl.	1
49	KH00017	No.12 Magnetic Plug	1
50	10-10-520220	No.10 Tube 'O' Ring 90deg Elbow	1
51	T101647	Hose Assy. Steering to Valve Bank	1
52	KH20002	Steering Unit - See Note	1
53	10-10-070120	No. 10 to No. 10. 'O' Ring Straight Thread	1
54	F320400	Flatwasher 1/4	2
55	F040412	Bolt 1/4 unc x 1 1/4 Gr.8	2
56	T100733	Clip	1
57	T500019	Hold-down Strap c/w Bushing	1
58	F210400	Locknut 1/4 unc	2
59	KH20001	Priority Valve c/w 'O' Rings	1
60	8-8-520220	No. 8 Tube to No. 8 'O' Ring 90deg Elbow	2
61	T101531	Tube Assy. Steering to Relief Manifold 'S'	1
62	KH70005	'O' Ring Kit - Steering Unit	A/R
63	F560612	Bolt 3/8 unc x 1 1/4 Ferry Cap	2
64	10-090109A	Plug #10	1

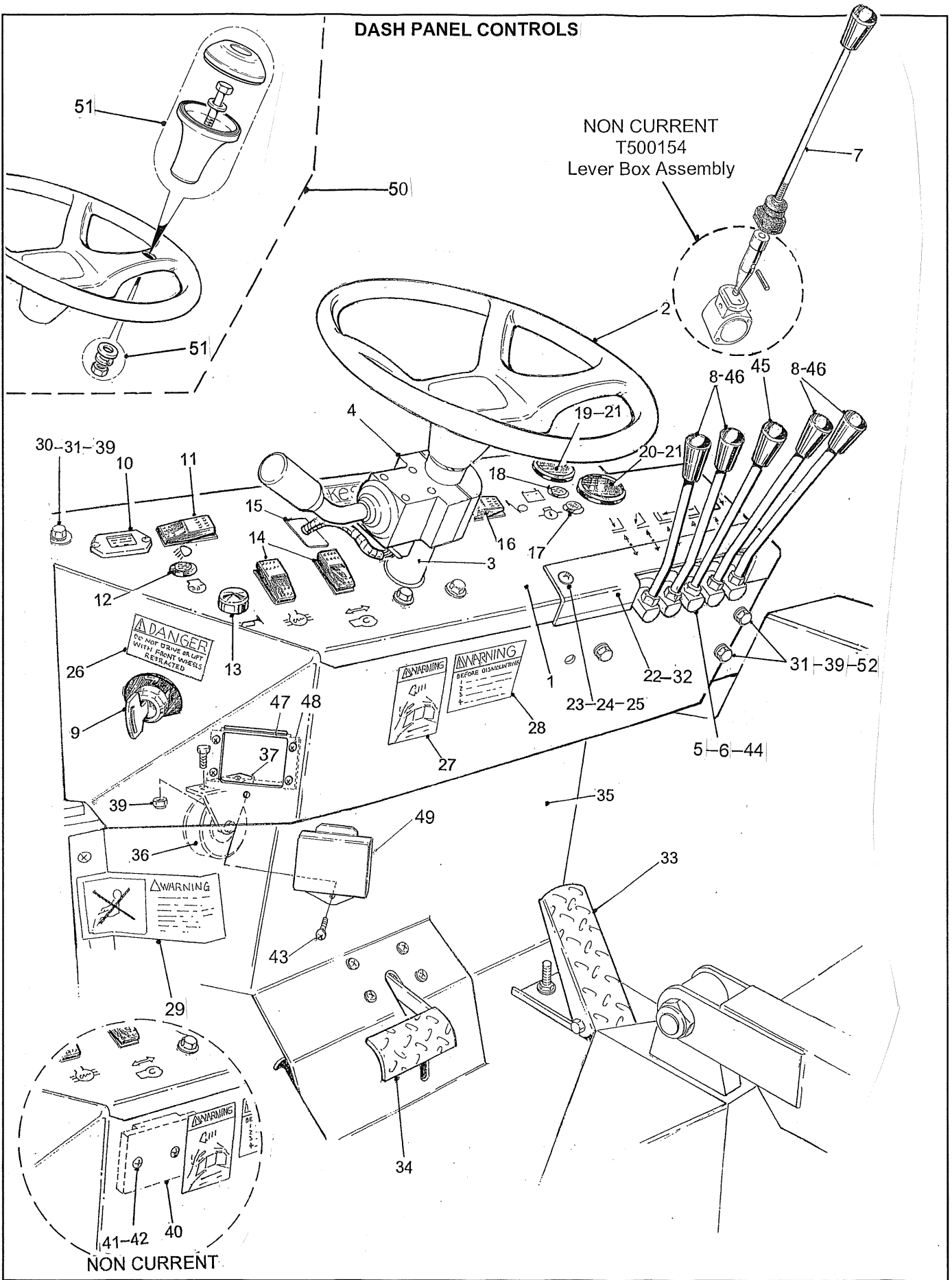
NOTE

Item 62 - 'O' Ring Kit must be ordered with Steering Unit - KH20002.

SECTION 3

Dash Panel Controls	1
Throttle Pedal Control	3
' Inching ' Pedal Control	5
Decals	7

DASH PANEL CONTROLS



ITEM NO.	PART NO.	DESCRIPTION	QTY
DASH PANEL CONTROLS			
1	T500064	Dash panel c/w Decals	1
2	KM50002	Steering Wheel	1
3	T101020	Steering Column (See steering column assembly)	1
4	KD10037	F-N-R Shifter	1
5	KH20005	Valve Bank 5-Spool (Non Current to Serial No. 119)	1
	KH20032	Valve Bank 5-Spool (Non Current from Serial 120 to 279)	1
6	KH20006	Valve Bank 6-Spool (Option - Non Current to Serial No. 119)	1
	KH20033	Valve Bank 6-Spool (Option - Non Current from Serial No. 120 to 279)	1
7	KH20031	Control Handle - Straight - Non Current	1
8	T100888	Control Handle - Angled - Non Current	4
9	KK10023	Ignition Switch	1
10	KE70005	Hour Meter	1
11	KE80010	Switch - Lights	1
12	KE90002	Warning Light - Green	1
13	KE10021	Horn Push Button	1
14	KE80011	Switch - Diff. Lock & Leg Lock	2
15	KE80012	No.6 Cap. (In place of item 14, on fixed leg units only)	1
16	KE80008	Switch - Park Brake	1
17	KE90003	Warning Light - Red	1
18	KE90001	Warning Light - Amber	1
19	KE70002	Water Temp. Gauge	1
20	KE70004	Oil Temp. Gauge	1
21	KE10002	Bulb c/w holder	2
22	T500065	Cover. 5 & 6 - spool valves c/w Decal (Non Current to Serial No.119)	1
23	F590404	Bolt 1/4 unc x 1/2 Btn. Hd. Soc. S/S	2
24	F210400	Locknut 1/4 unc	2
25	F350400	Flatwasher 1/4 S/S	2
26	D001-045	Decal ' Do not drive or lift.....'	1
27	D001-019	Decal ' Fasten seat belt.....'	1
28	D001-028	Decal 'Before dismounting.....'	1
29	D001-024	Decal ' No riders.....'	1
30	F040506	Bolt 5/16 unc x 3/4 Gr.8	4
31	F350500	Flatwasher 5/16 S/S	7
32	T500115	Cover. 5 & 6 - spool valves c/w Decal (Current from Serial No.121)	1
33	KD10035	Throttle Pedal (See Page 3)	1
34	T300174	Inching Pedal (See Page 5)	1
35	T300178	Floor Board Front Panel	1
36	KE10027	Horn	1
37	T100812	Mounting Bracket	1
38	F040510	Bolt 5/16 x 1 1/4 Gr.8	2
39	F210500	Locknut 5/16 unc	6
40	KE10060	Fuse Block - Non Current	1
41	F540212	Bolt 10-24 x 1 1/4 Pan. Hd. Phil.	2
42	F280200	Locknut 10-24	2
43	KX50108	Bolt 10-24 x 5/8 Pan. Hd. Phil.	1
44	KH20072	Valve Bank 5-Spool (Current from Serial No. 280)	1
	KH20073	Valve Bank 6-Spool (Option - Current from Serial No. 280)	1
45	KH20074	Straight Valve Handle	1
46	T101004	Bent Valve Handle	4
47	T500141	Fuse Block	1
48	F580106	Bolt 8-32 x 3/4 Pan. Hd. Phil.	4
49	T500146	Fuse Block Cover	1
50	KM50003	Steering Wheel. c/w Spinner. (option)	1
51	KM50004	Spinner Assembly	1
52	F040524	Bolt 5/16 unc x 2 1/2 Gr.8	3

NOTE

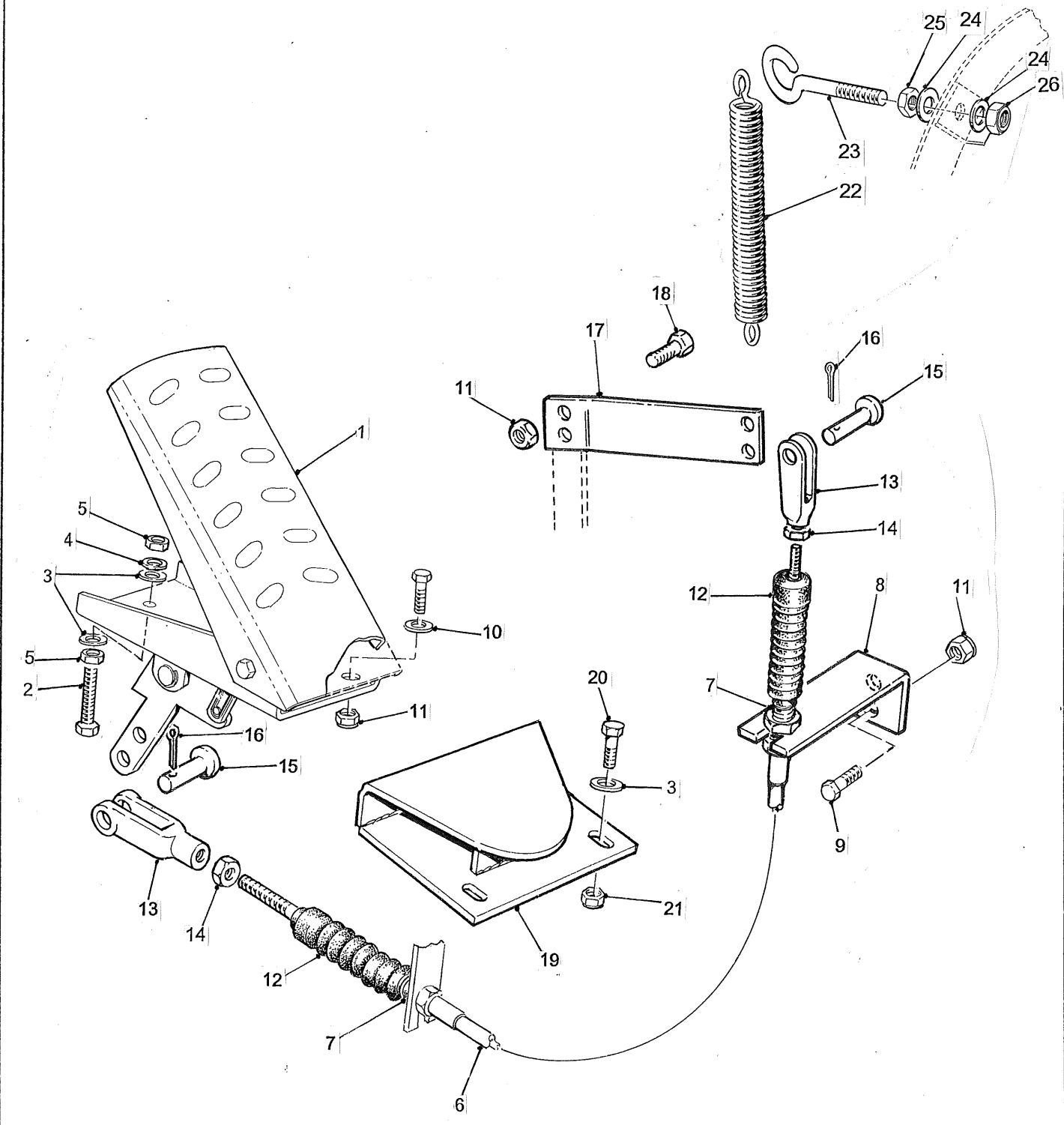
KH70036 - Seal Kit Is available for Valve Banks KH20032 & KH20033.

NOTE

KH20102 - Seal Kit Is available for Valve Banks KH20072 & KH20073.

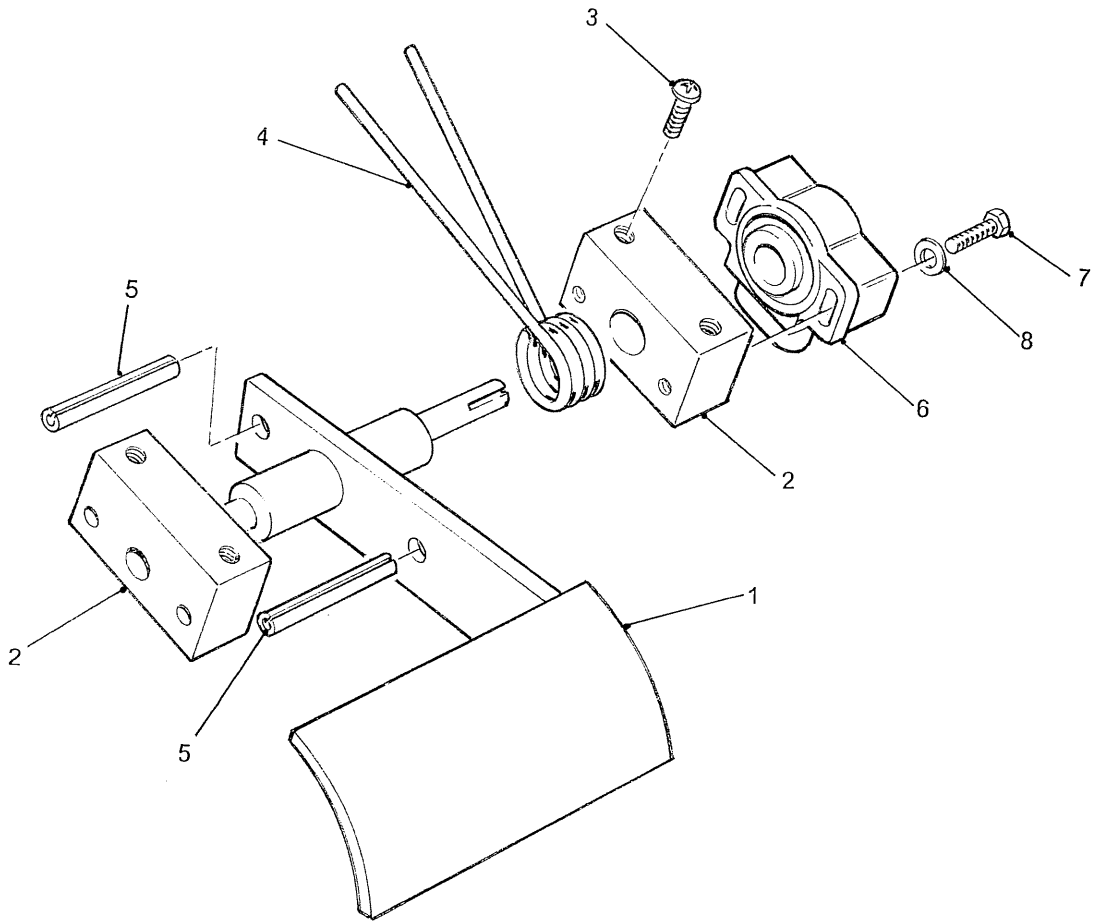
NOTE

Lever Box Assembly T500154 for Non Current Valve Banks KH20005 & KH20006 includes Lever Pivot End T101223, Dowel Pin F090520, Lever Pivot Housing T101240, and Rubber Bellows KX90103.

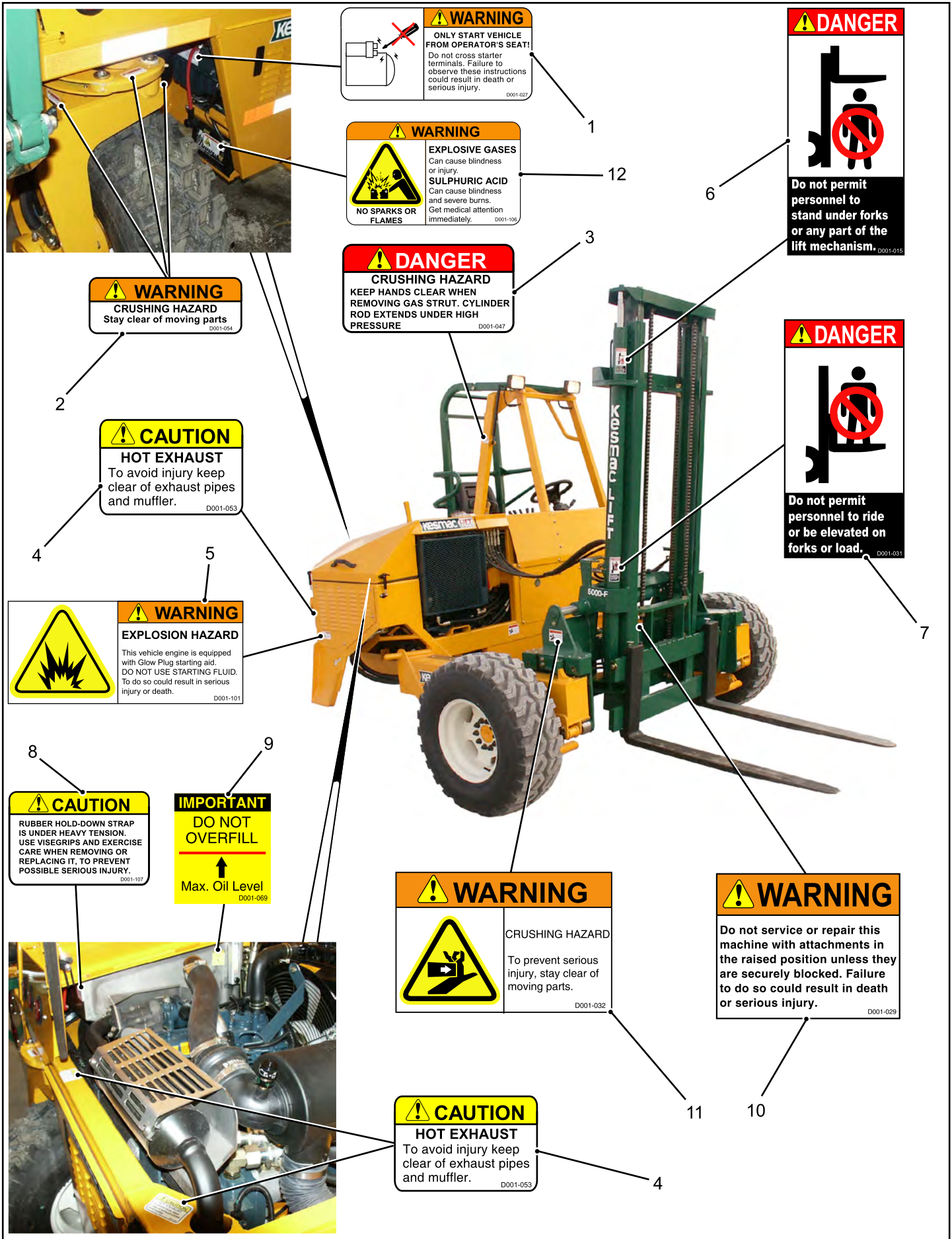


ITEM NO.	PART NO.	DESCRIPTION	QTY
THROTTLE PEDAL CONTROL ASSEMBLY			
1	KD10035	Throttle Pedal Assy.	1
2	F040516	Bolt 5/16 unc. x 2. Full Thread	1
3	F320500	Flatwasher 5/16	4
4	F310500	Lockwasher 5/16	1
5	F230500	Nut 5/16 unc.	2
6	KD10038	Throttle Cable Assy.	1
7	KE60002	Tie Wrap	2
8	T100316	Anchor Bracket	1
9	F040410	Bolt 1/4 x 1 Gr.8	2
10	F320400	Flatwasher 1/4	2
11	F210400	Locknut 1/4 unc	6
12	KD10002	Rubber Boot	2
13	KM99002	Rod End	2
14	F220250	Nut #10-32 Jam	2
15	KX03000	Clevis Pin	2
16	F910610	Cotter Pin	2
17	T100317	Lever - To injection pump	1
18	F040406	Bolt 1/4 unc x 3/4 Gr.8	2
19	T300175	Heel Rest	1
20	F040506	Bolt 5/16 unc x 3/4 Gr.8	2
21	F210500	Locknut 5/16 unc	2
22	KS10030	Spring. Throttle Return	1
23	F050424	Eyebolt	1
24	F320400	Flatwasher 1/4	2
25	F220400	Jam Nut 1/4 unc	1
26	F210400	Locknut 1/4 unc	1

INCHING PEDAL CONTROL ASSEMBLY



ITEM NO.	PART NO.	DESCRIPTION	QTY
INCHING PEDAL CONTROL ASSEMBLY			
1	T300174	Inching Pedal	1
2	T100970	Bearing Block	2
3	F580406	Bolt 1/4 unc x 3/4 Pan. Hd. Phil. S/S	4
4	KS30003	Torsion Spring	1
5	F940420	Spring Pin 1/4 x 2	2
6	KE70008	Rotary Sensory Module	1
7	F600210	Bolt #10-24 x 1 S/S	2
8	F320200	Flatwasher #10	2



WARNING
ONLY START VEHICLE FROM OPERATOR'S SEAT!
 Do not cross starter terminals. Failure to observe these instructions could result in death or serious injury. D001-027

WARNING
EXPLOSIVE GASES
 Can cause blindness or injury.
SULPHURIC ACID
 Can cause blindness and severe burns. Get medical attention immediately. D001-100

DANGER
CRUSHING HAZARD
 KEEP HANDS CLEAR WHEN REMOVING GAS STRUT. CYLINDER ROD EXTENDS UNDER HIGH PRESSURE. D001-047

DANGER

Do not permit personnel to stand under forks or any part of the lift mechanism. D001-015

WARNING
CRUSHING HAZARD
 Stay clear of moving parts. D001-034

CAUTION
HOT EXHAUST
 To avoid injury keep clear of exhaust pipes and muffler. D001-053

DANGER

Do not permit personnel to ride or be elevated on forks or load. D001-031

WARNING
EXPLOSION HAZARD
 This vehicle engine is equipped with Glow Plug starting aid. DO NOT USE STARTING FLUID. To do so could result in serious injury or death. D001-101

CAUTION
 RUBBER HOLD-DOWN STRAP IS UNDER HEAVY TENSION. USE VISEGRIPS AND EXERCISE CARE WHEN REMOVING OR REPLACING IT. TO PREVENT POSSIBLE SERIOUS INJURY. D001-107

IMPORTANT
DO NOT OVERFILL

 Max. Oil Level D001-089

WARNING

CRUSHING HAZARD
 To prevent serious injury, stay clear of moving parts. D001-032

WARNING
Do not service or repair this machine with attachments in the raised position unless they are securely blocked. Failure to do so could result in death or serious injury. D001-029

CAUTION
HOT EXHAUST
 To avoid injury keep clear of exhaust pipes and muffler. D001-053



ITEM NO.	PART NO.	DESCRIPTION	QTY
SAFETY DECALS			
1	D001-027	Decal. ' Only Start Vehicle From Operator's Seat '	1
2	D001-054	Decal. ' Crushing Hazard '	3
3	D001-047	Decal. ' Danger Crushing Hazard '	1
4	D001-053	Decal. ' Caution Hot Exhaust '	3
5	D001-101	Decal. ' Explosion Hazard '	1
6	D001-015	Decal. ' Do Not Permit Prsnl Stnd Under Forks '	2
7	D001-031	Decal. ' No Riders or Elevating on Forks '	2
8	D001-107	Decal. ' Rubber Hold Down Strap '	1
9	D001-069	Decal. ' Hydraulic Oil Level '	1
10	D001-029	Decal. ' Do Not Service or Repair '	1
11	D001-032	Decal. ' Warning Crushing Hazard '	3
12	D001-106	Decal. ' Explosive Gases '	1

NOTE

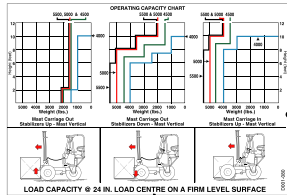
Forklift Decal Service Kit -
D002-002.

WARNING

To Prevent Serious Injury or Death

- Avoid unsafe operation or maintenance
- Do not operate or work on this machine without reading and understanding the operator's manual.
- If manual is lost, contact your nearest dealer for a new manual.

D001-033



DANGER

Do not jump in the event of a tip-over.

D001-032



DANGER

Si vous ne lisez pas l'anglais, demandez à quelqu'un qui lit l'anglais de traduire pour vous toutes les consignes de sécurité.

D001-F17



CAUTION

To protect both of the Automotive Controller from potential damage:

- Do not do any welding on the machine until:
- Both battery cables are disconnected.
- The Automotive Controller is disconnected.

D001-184

WARNING

IN THE EVENT OF TIPOVER

- BUCKLE SEAT BELT
- TRIM SEAT BELT
- HOLD ON TIGHT TO STEERING WHEEL
- BRACE FEET
- LEAN AWAY FROM IMPACT

D001-038

PELIGRO

Si No Lee Ingles, pida Ayuda a Alguien Que Si Lo Lea Para Que le Traduzca las Medidas de Seguridad.

D001-015

WARNING

STAY CLEAR OF OVERHEAD WIRES

Avoid use of machine near overhead wires. Travel with load in the lowered position. Failure to do so could result in death or serious injury.

D001-028

DANGER

Do not permit personnel to stand under forks or any part of the lift mechanism.

D001-031

DANGER

Do not permit personnel to ride or be elevated on forks or load.

D001-031

DANGER

DO NOT DRIVE OR LIFT WITH FRONT WHEELS RETRACTED.

D001-045

WARNING

CRUSHING HAZARD

To prevent serious injury, stay clear of moving parts.

D001-032



WARNING

HIGH PRESSURE FLUID HAZARD

To prevent serious injury or death from escaping hydraulic fluid.

- Visually check all hydraulic lines and hoses BEFORE applying pressure.
- Relieve pressure on system before repairing, adjusting or disconnecting.
- Use of paper or cardboard, NOT BODY PARTS, to check for suspected leaks.

D001-012

WARNING

Fasten your seat belt

D001-039

WARNING

NO RIDERS

Vehicle is to be ridden in operators seat only. Failure to do so could result in death or serious injury.

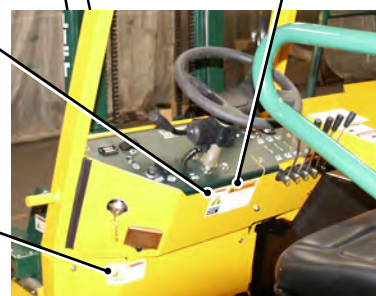
D001-024

WARNING

BEFORE DISMOUNTING MACHINE

1. Lower all attachments to ground.
2. Place all controls in neutral position.
3. Engage parking brake.
4. Shut off engine.

D001-028



ITEM NO.	PART NO.	DESCRIPTION	QTY
SAFETY DECALS			
1	D001-080	Decal. ' Capacity Chart 4500/5000/5500 '	1
2	D001-033	Decal. ' To Prevent Serious Injury... '	1
3	D001-F17	Decal. ' Danger French '	1
4	D001-S15	Decal. ' Peligro Spanish '	1
5	D001-021	Decal. ' Do Not Jump '	1
6	D001-098	Decal. ' Buckle Seat Belt '	1
7	D001-026	Decal. ' Stay Clear of Overhead Wires '	1
8	D001-045	Decal. ' Do Not Drive or Lift... ' (Retractable only)	1
9	D001-028	Decal. ' Before Dismounting Machine '	1
10	D001-019	Decal. ' Fasten your Seat Belt '	1
11	D001-024	Decal. ' Do Not Permit Riders '	1
12	D001-012	Decal. ' High Pressure Fluid '	1
13	D001-032	Decal. ' Warning Crushing Hazard '	3
14	D001-031	Decal. ' No Riders or Elevating on Forks '	2
15	D001-015	Decal. ' Do Not Permit Prsnl Stnd Under Forks '	2
16	D001-184	Decal. "Caution Automotive Controller..."	1

NOTE

Forklift Decal Service Kit -
D002-002.

4500-R

Kesmac

4500-F

K

Kesmac

5000-R

e

HYDRAULIC OIL



5000-F

s

DIESEL FUEL

5500-F

m

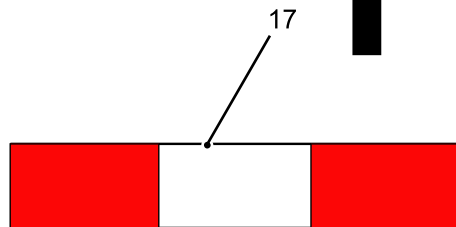
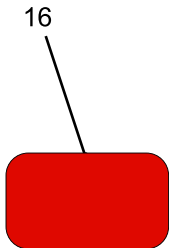
IMPORTANT


LOW SULFUR FUEL OR ULTRA
LOW SULFUR FUEL ONLY.

PATENT PENDING

 made in
CANADA
au CANADA

a

LIFT
4500



c

LIFT
5000

L

LIFT
5500

I

F

T

11

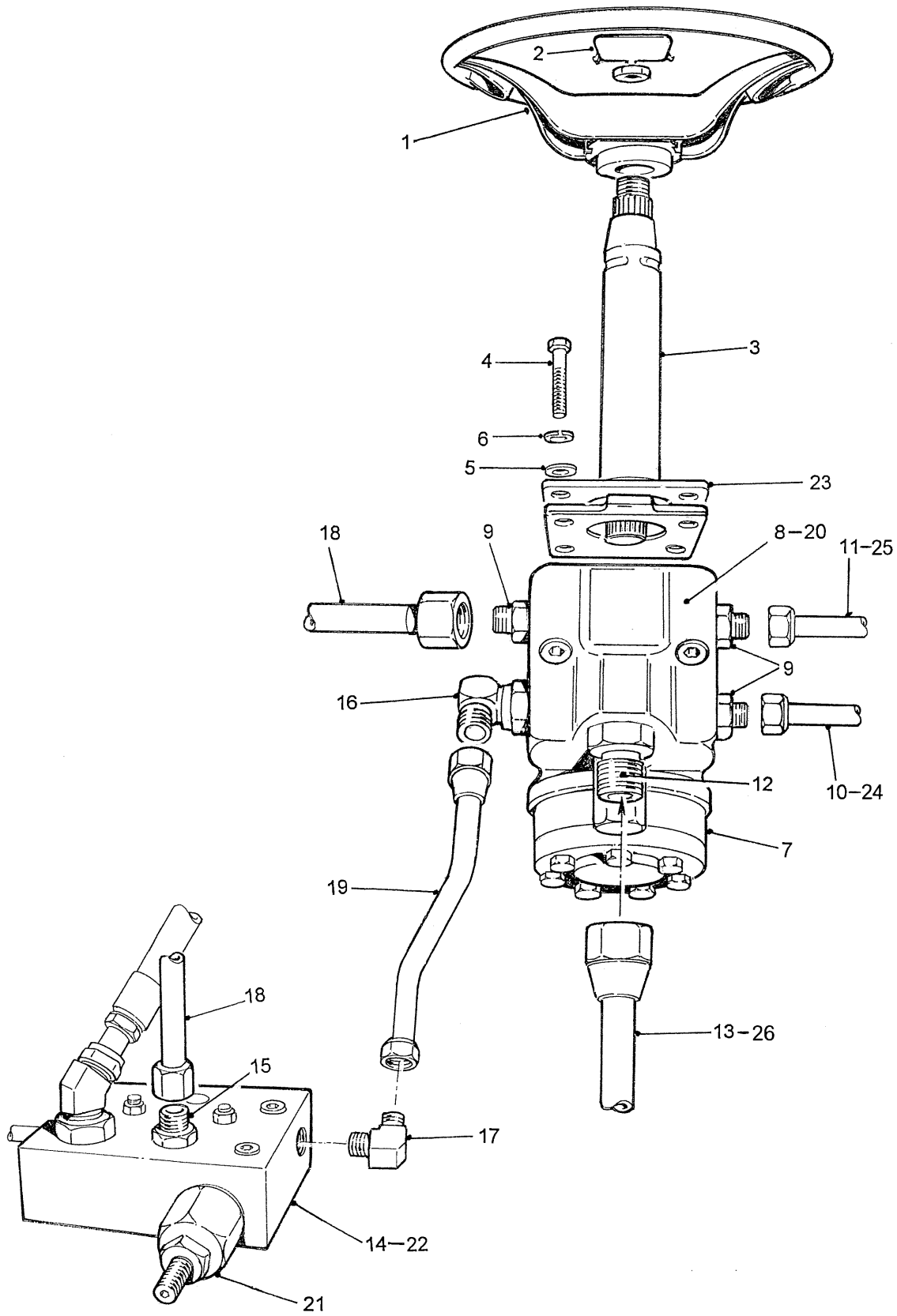
ITEM NO.	PART NO.	DESCRIPTION	QTY
DECALS			
1	D001-020	Decal. ' 4500 R ' (White)	2
2	D001-041	Decal. ' 4500 F ' (White)	2
3	D001-039	Decal. ' 5000 R ' (White)	2
4	D001-040	Decal. ' 5000 F ' (White)	2
5	D001-090	Decal. ' 5500 F ' (White)	2
6	D001-050	Decal. ' Patent Pending ' (Retractable only)	2
7	D001-048	Decal. ' Kesmac Logo ' (Large)	1
8	D001-013	Decal. ' Kesmac Logo ' (Small)	1
9	D001-023	Decal. ' Hydraulic Oil '	1
10	D001-022	Decal. ' Diesel Fuel '	1
11	D001-037	Decal. ' Kesmac Lift 4500 '	4
12	D001-038	Decal. ' Kesmac Lift 5000 '	4
13	D001-089	Decal. ' Kesmac Lift 5500 '	4
14	D001-016	Decal. ' Kesmac Lift ' (White Vertical)	2
15	D001-035	Decal. ' Made In Canada '	1
16	D001-030	Decal. ' Red Reflector Tape '	3
17	D001-062	Decal. ' Red & Silver Reflector Tape '	3
18	D001-216	Decal. 'Important Low Sulfur Fuel...'	1

NOTE

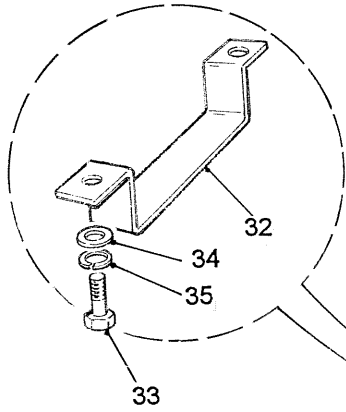
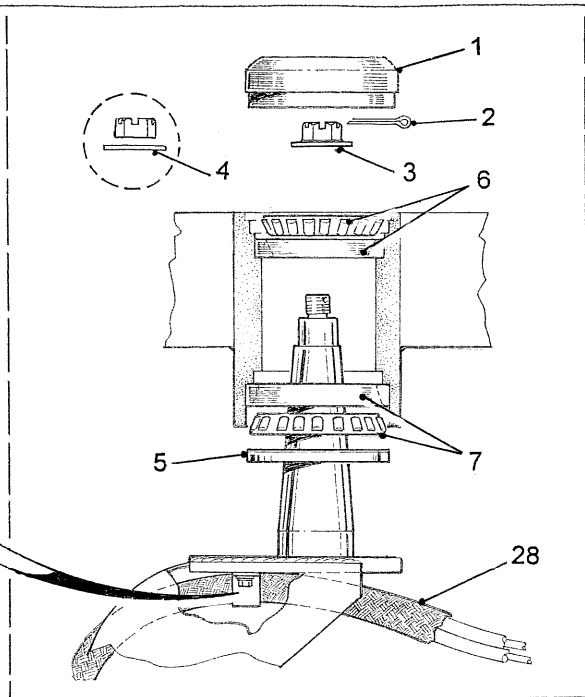
Forklift Decal Service Kit -
D002-002.

SECTION 4

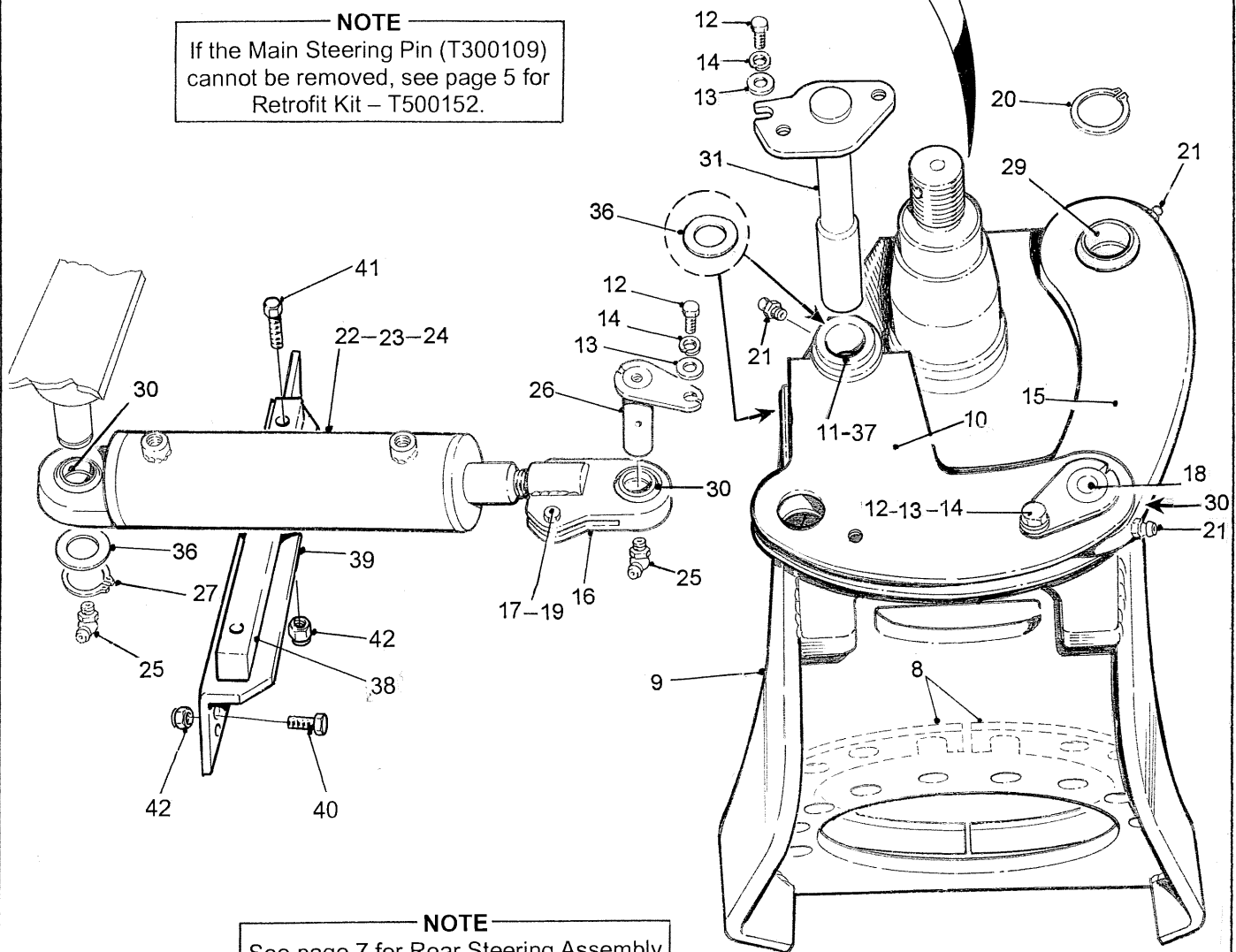
Steering Column Assembly	1
Rear Steering Assembly up to Serial No. 293	3
Rear Steering Retrofit	5
Rear Steering Assembly from Serial No. 294	7
Wheel Assembly	9



ITEM NO.	PART NO.	DESCRIPTION	QTY
STEERING COLUMN ASSEMBLY			
1	KM50002	Steering Wheel	1
2	KM50001	Cover - Steering Wheel	1
3	T101020	Steering Column c/w Nut	1
4	F600622	Bolt 3/8 unc. X 2 1/4 S/S	4
5	F350600	Flatwasher 3/8 S/S	4
6	F360600	Lockwasher 3/8 S/S	4
7	KH20002	Steering Unit	1
8	KH20001	Priority Valve	1
9	6-6-520120	No.6 Tube to No.6 'O' Ring Connector	3
10	T101532	Tube Assy. up to Serial No. 293	1
11	T101533	Tube Assy. up to Serial No. 293	1
12	10-10-520120	No.10 Straight 'O' Ring Connector	1
13	T101535	Tube Assy. up to Serial No. 293	1
14	KH20010	Relief Manifold	1
15	6-6-520120	No.6 Straight 'O' Ring Connector	1
16	10-10-520220	No.10 Tube 'O' Ring Connector 90deg. Elbow	1
17	10-8-520220	No.10 Tube to No.8 'O' Ring Connector	1
18	T101531	Tube Assy.	1
19	T101530	Tube Assy.	1
20	KH70005	O' Ring / Seal Kit. Steering unit to Priority Valve	1
21	KH20038	Relief Valve Cartridge	1
22	KH70004	Seal Kit - Relief Manifold	1
23	T100973	Spacer - Steering Column	1
24	T101649	Hose Assy. from Serial No. 294	1
25	T101648	Hose Assy. from Serial No. 294	1
26	T101647	Hose Assy. from Serial No. 294	1



NOTE
 If the Main Steering Pin (T300109)
 cannot be removed, see page 5 for
 Retrofit Kit - T500152.



NOTE
 See page 7 for Rear Steering Assembly
 Serial No. 294 onward.

ITEM NO.	PART NO.	DESCRIPTION	QTY
REAR STEERING ASSEMBLY			
Non Current up to Serial No. 293			
1	KX20004	Dust Cap	1
2	KX20003	Cotter Pin	1
3	KX20002	Nut 1 1/4 - 12 Flanged. Slotted	1
4	KX20008	Flatwasher 1 1/4 - Non Current (with Flanged Nut)	1
5	KX20005	Seal	1
6	KX20006	Bearing - Taper Roller. Upper	1
7	KX20007	Bearing - Taper Roller. Lower	1
8	T100485	Spacer Plate. (Use with 10 x 16.5 Tires Only)	1
9	T300073	Steering Carrier	1
10	T500061	Bell-crank c/w Bushings	1
11	KB11620	Flanged Bushing - Non Current	2
12	F040506	Bolt 5/16 unc.x 3/4 Gr.8	3
13	F040606	Flatwasher 5/16	3
14	F310500	Lockwasher 5/16	3
15	T500014	Steering Dog-Link c/w Bearings	1
16	T500068	End link. Steering Cyl. Rod End	1
17	F310600	Lockwasher 3/8	1
18	T300043	Pivot Pin	2
19	F040610	Bolt 3/8 unc.x 1 Gr.8	1
20	KX10125	Retaining Ring	4
21	KM11400	Grease Fitting - Straight	4
22	T500011	Steer Cyl. (Seal Kit for Steer Cyl. KH70107)	1
23	T500012	Steer Cyl. Assy. c/w items 16, 17, 19, 21 & 22	1
24	U17587	Seal Kit - Steer Cyl.	1
25	KX90021	Grease Fitting. 90 Deg	2
26	T300119	Pivot Pin	1
27	KX10100	Retaining Ring - External	1
28	Q7555	Hose Sock	1
29	KB11220	Spherical Bearing 1 1/4 in.	1
30	KB11016	Spherical Bearing 1 in.	3
31	T300109	Steering Pin - Bell-crank	1
32	T100016	Hose Bracket	1
33	F040510	Bolt 5/16 unc. x 1 Gr.8	2
34	F320500	Flatwasher 5/16	2
35	F310500	Lockwasher 5/16	2
36	KB12848	Thrust Washer. (See note 2)	2
37	KB12811	Bushing	1
38	T101169	Support Angle Slider	1
39	T101170	Support Angle	1
40	F040410	Bolt 1/4 unc x 1 Gr.8	3
41	F040412	Bolt 1/4 unc x 1 1/4 Gr.8	2
42	F210400	Locknut 1/4 unc	5
43	F320400	Flatwasher 1/4	7

See note 1

NOTE

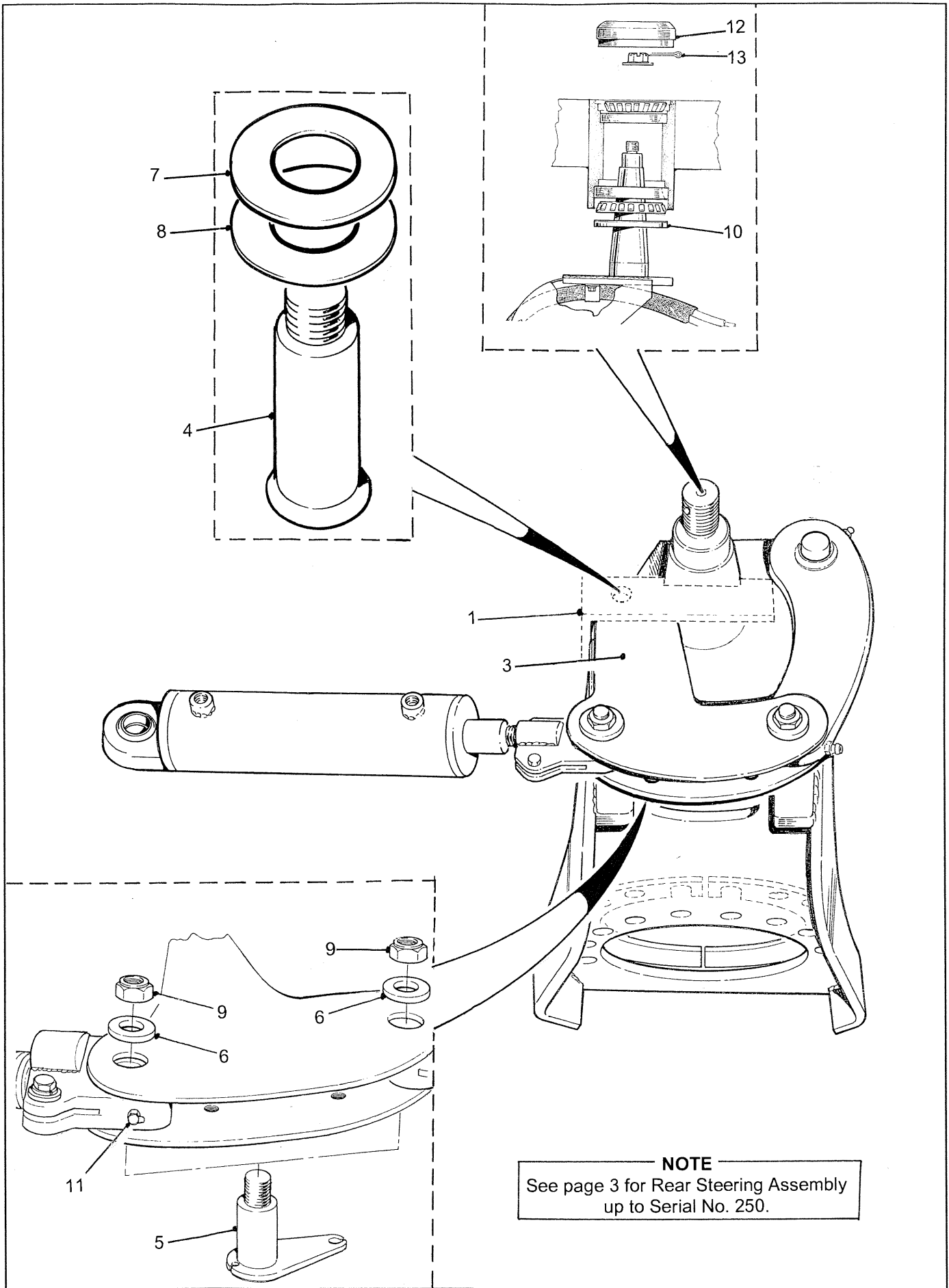
If the Main Steering Pin (T300109 cannot be removed, see page 5 for Retrofit Kit - T500152.

NOTE 1

Steering Spindle service kit contains items: 1, 2, 3, 4, 5, 6 & 7 - KX30010.

NOTE 2

Item 36, Thrust Washer. One may be fitted at the head of the head end of the Steer Cylinder. One or two may be fitted at one end or the other of the Bell Crank Pin, Item 31.

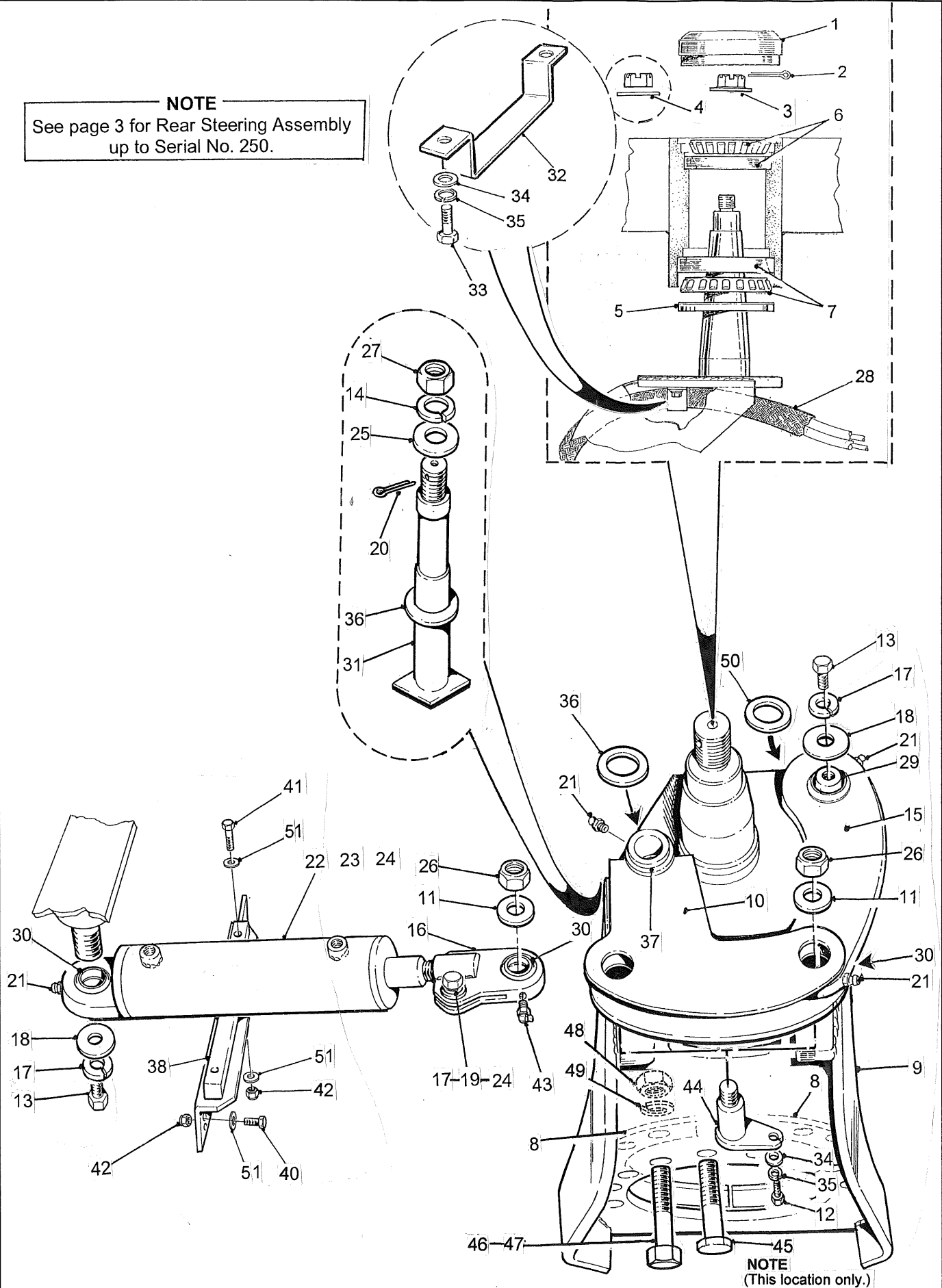


NOTE
 See page 3 for Rear Steering Assembly
 up to Serial No. 250.

ITEM NO.	PART NO.	DESCRIPTION	QTY
REAR STEERING RETROFIT KIT T500152			
1	T300241	Steering Bracket	ref
2	T101192	Gusset (not shown)	ref
3	T500151	Bell-crank Assembly	1
4	T101228	Steering Pin	1
5	T300252	Pivot Pin	2
6	C100209	Washer	2
7	KB12848	Washer 1/8in. Thick	2
8	KB12849	Washer 1/16in. Thick	2
9	F270850	Locknut Jam 1/2 unf	2
10	KX20005	Seal	1
11	KM11490	Grease Fitting 90 deg.	1
12	KX20004	Dust Cap	1
13	KX20003	Cotter Pin	1
<p>NOTE</p> <p>Washers - Items 7 & 8 are fitted as required to obtain a snug fit for the Bell-Crank in the Steering Bracket.</p>			

NOTE

See page 3 for Rear Steering Assembly up to Serial No. 250.



ITEM NO.	PART NO.	DESCRIPTION	QTY
REAR STEERING ASSEMBLY			
from Serial No. 294			
1	KX20004	Dust Cap	1
2	KX20003	Cotter Pin	1
3	KX20002	Nut 1 1/4 - 12 Flanged. Slotted	1
4	KX20008	Flatwasher 1 1/4 - Non Current (with Flanged Nut)	1
5	KX20005	Seal	1
6	KX20006	Bearing - Taper Roller. Upper	1
7	KX20007	Bearing - Taper Roller. Lower	1
8	T100485	Spacer Plate. (Use with 10 x 16.5 Tires Only)	1
9	T300073	Steering Carrier	1
10	T500061	Bell-crank c/w Bushings	1
11	C100209	Pin Washer	2
12	F040506	Bolt 5/16 unc.x 3/4 Gr.8	3
13	F040606	Bolt 3/8 unc x 3/4 Gr.8	2
14	F311200	Lockwasher 3/4	3
15	T500014	Steering Dog-Link c/w Bearings	1
16	T500068	End link. Steering Cyl. Rod End	1
17	F310600	Lockwasher 3/8	1
18	T101257	Retaining Washer	2
19	F040610	Bolt 3/8 unc.x 1 Gr.8	1
20	F910208	Cotter Pin 1/8 x 1	1
21	KM11400	Grease Fitting - Straight	4
22	T500011	Steer Cyl. (Seal Kit for Steer Cyl. KH70107)	1
23	T500012	Steer Cyl. Assy. c/w items 16, 17, 19, 21 & 22	1
24	F320600	Flatwasher 3/8	1
25	F331200	Flatwasher 3/4	1
26	F270850	Locknut Jam 1/2 unf	2
27	F221250	Jam Nut 3/4 unf	1
28	T100873	Hose Sock	1
29	KB11220	Spherical Bearing 1 1/4 in.	1
30	KB11016	Spherical Bearing 1 in.	3
31	T300251	Steering Pin - Bell-crank	1
32	T100016	Hose Bracket	1
33	F040510	Bolt 5/16 unc. x 1 Gr.8	2
34	F320500	Flatwasher 5/16	2
35	F310500	Lockwasher 5/16	2
36	KB12848	Thrust Washer.	2
37	KB12811	Bushing	1
38	T101169	Support Angle Support	1
39	T101170	Support Angle Slider	1
40	F040410	Bolt 1/4 unc x 1 Gr.8	3
41	F040412	Bolt 1/4 unc x 1 1/4 Gr.8	2
42	F210400	Locknut 1/4 unc	5
43	KM11490	Grease Fitting. 90 Deg.	1
44	T300252	Pivot Pin - See Note	2
45	T101283	Bolt. Modified (Spacer Plate)	1
46	F081024	Bolt 5/8 unf x 2 1/2 Gr. 8 (Spacer Plate)	9
47	F081016	Bolt 5/8 unf x 1 3/4 Gr.8	10
48	F231050	Nut 5/8 unf	10
49	F311000	Lockwasher 5/8	10
50	KB12032	Thrust Washer.	7
51	F320400	Flatwasher 1/4	7

} **See note 1**

NOTE

Items 14, 20, 25, 27, 31 & 36 are available as Assembly - T500161.

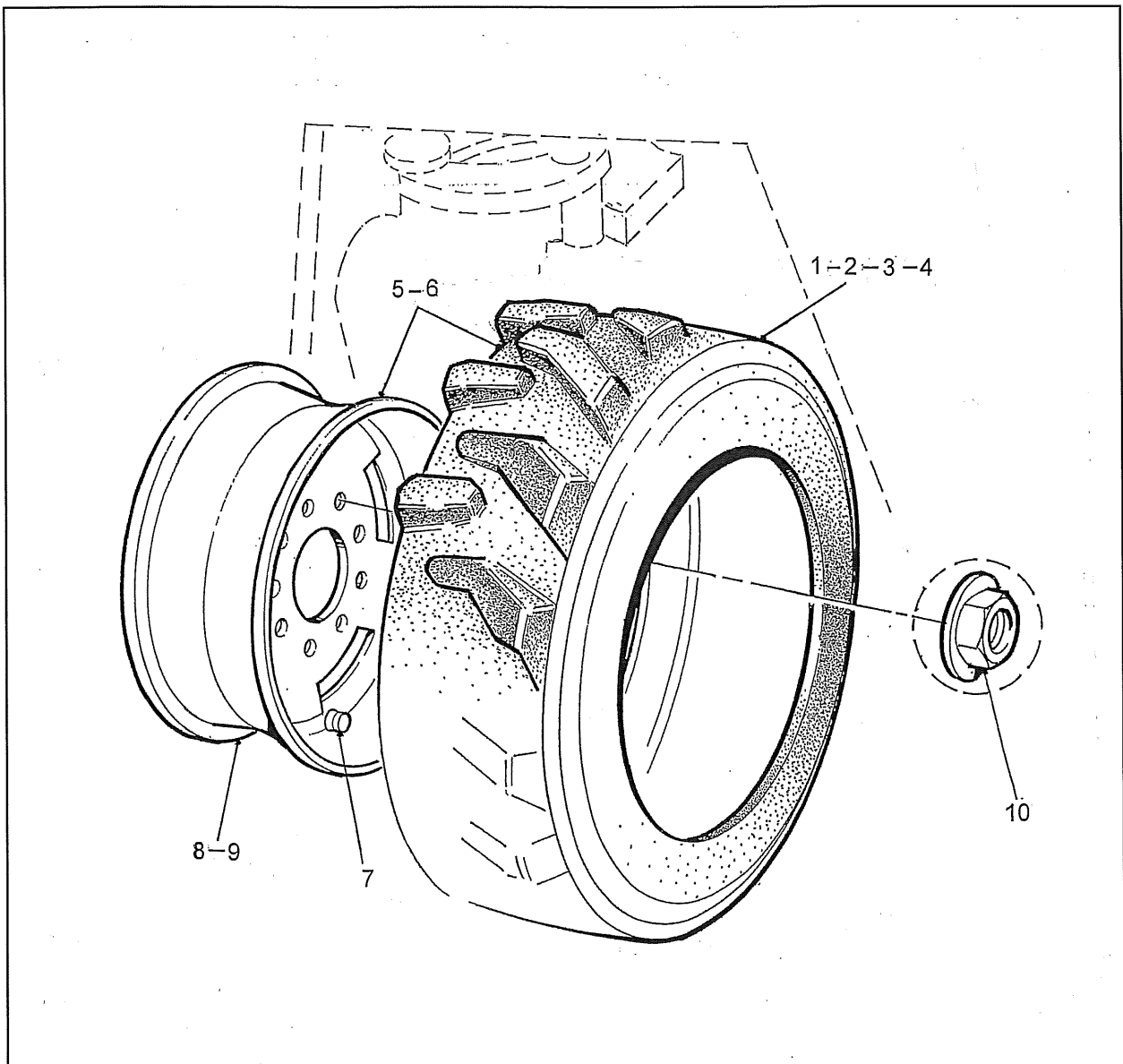
NOTE 1

Steering Spindle service kit contains items 1, 2, 3, 4, 5, 6 & 7. - KX30010

NOTE

Items 11, 26 & 44 are available as Pin Service Kit - T500173

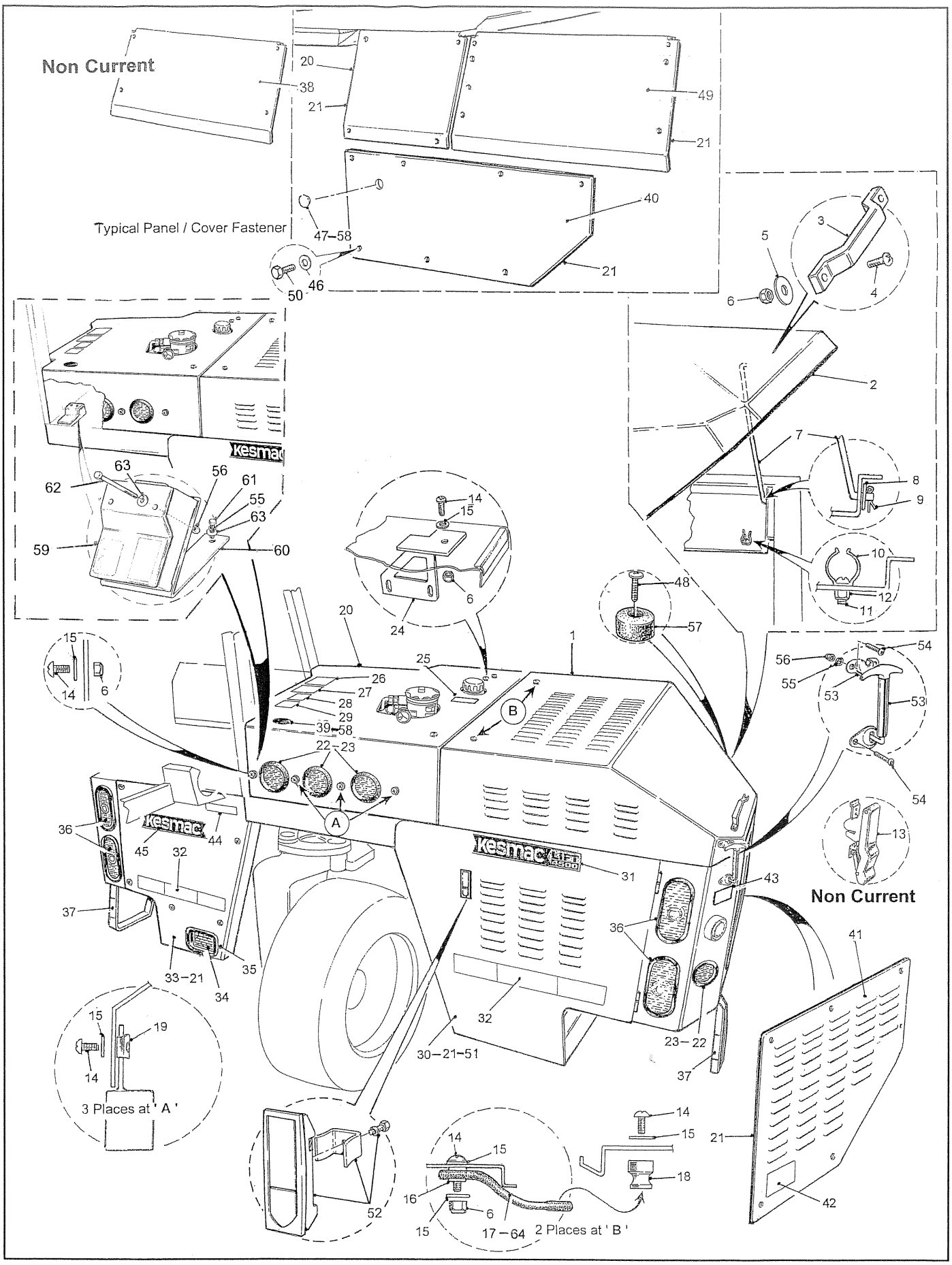
ITEM NO.	PART NO.	DESCRIPTION	QTY
WHEEL ASSEMBLY			
1	KW52004	Tire. 10 x 16.5 10PR. Std.	1
2	KW52006	Tire. 33 x 12.5 x 15. Opt.	1
3	KW52016	Trencher Tire 29.00 x 12.5 x 12. Opt. Small	1
4	KW52017	Turf tire. c/w Puncture Proof Liner 29.00 x 12.5 x15. Opt.	1
5	T500170	Tire & Rim Assy. Std. L.H. Front	Per. Machine 1
	T500171	Tire & Rim Assy. Std. R.H. Front & Rear	Per. Machine 2
6	T500172	Tire & Rim Assy. Flotation Opt. Large L.H. & R.H. & Rear	Per. Machine 3
	T500121	Tire & Rim Assy. Trencher Opt. Small. L.H. Front	Per. Machine 1
	T500122	Tire & Rim Assy. Trencher Opt. Small. R.H. Front & Rear	Per. Machine 2
7	KW52013	Valve Stem	1
8	KW54010	Wheel Rim. L.H. & R.H. Front - Std	2
	KW54009	Wheel Rim. Rear - Std.	1
9	KW54011	Wheel Rim. Flotation & Trencher Opt.	1
10	F991400	Lug Nut	10



9-Nov-10

SECTION 5

Panels and Covers	1
Radiator and Oil Cooler	5
Fuel System	7
Exhaust System	9
Air Cleaner and Intake	11
Engine Mounts	13

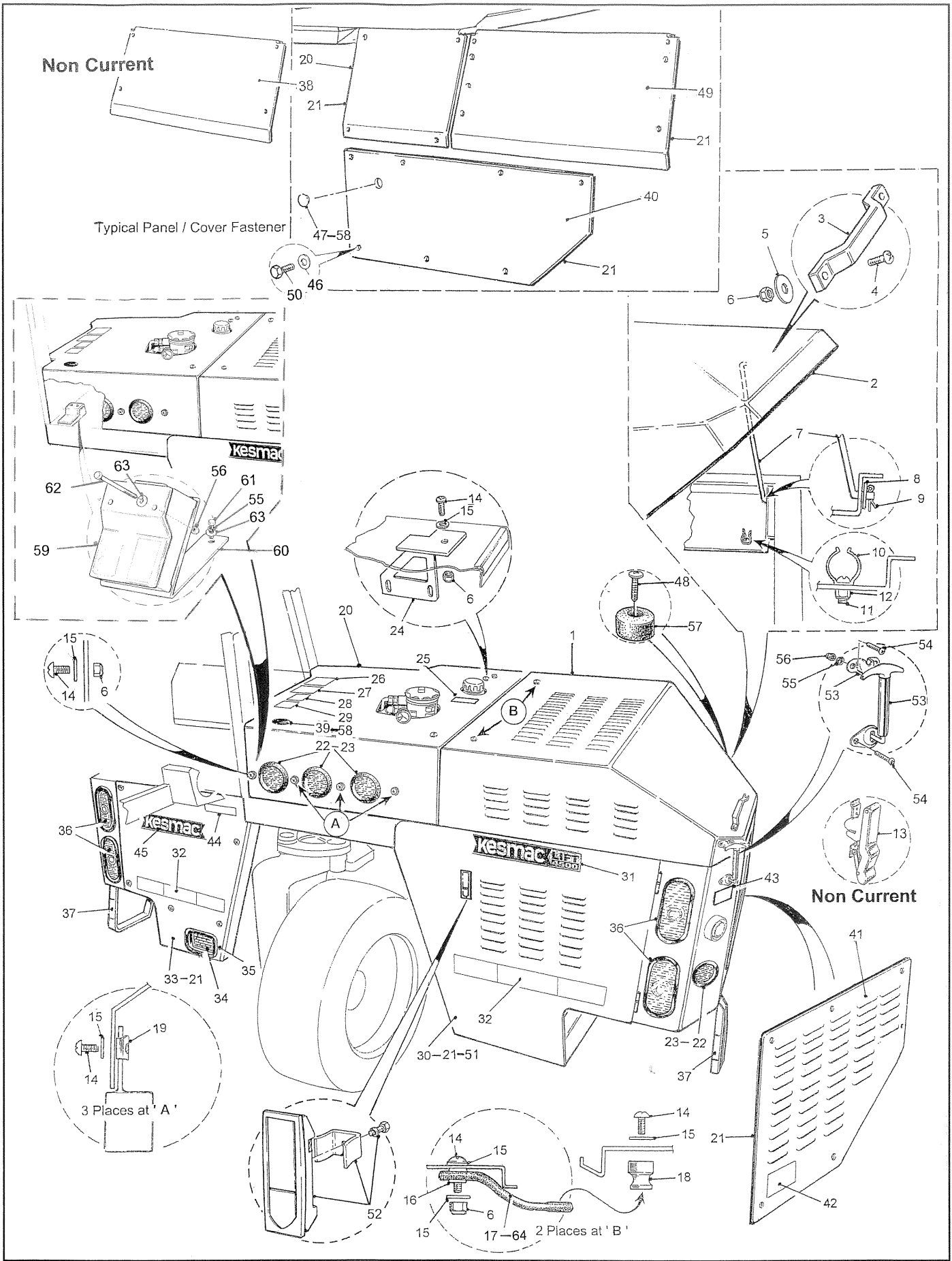


Non Current

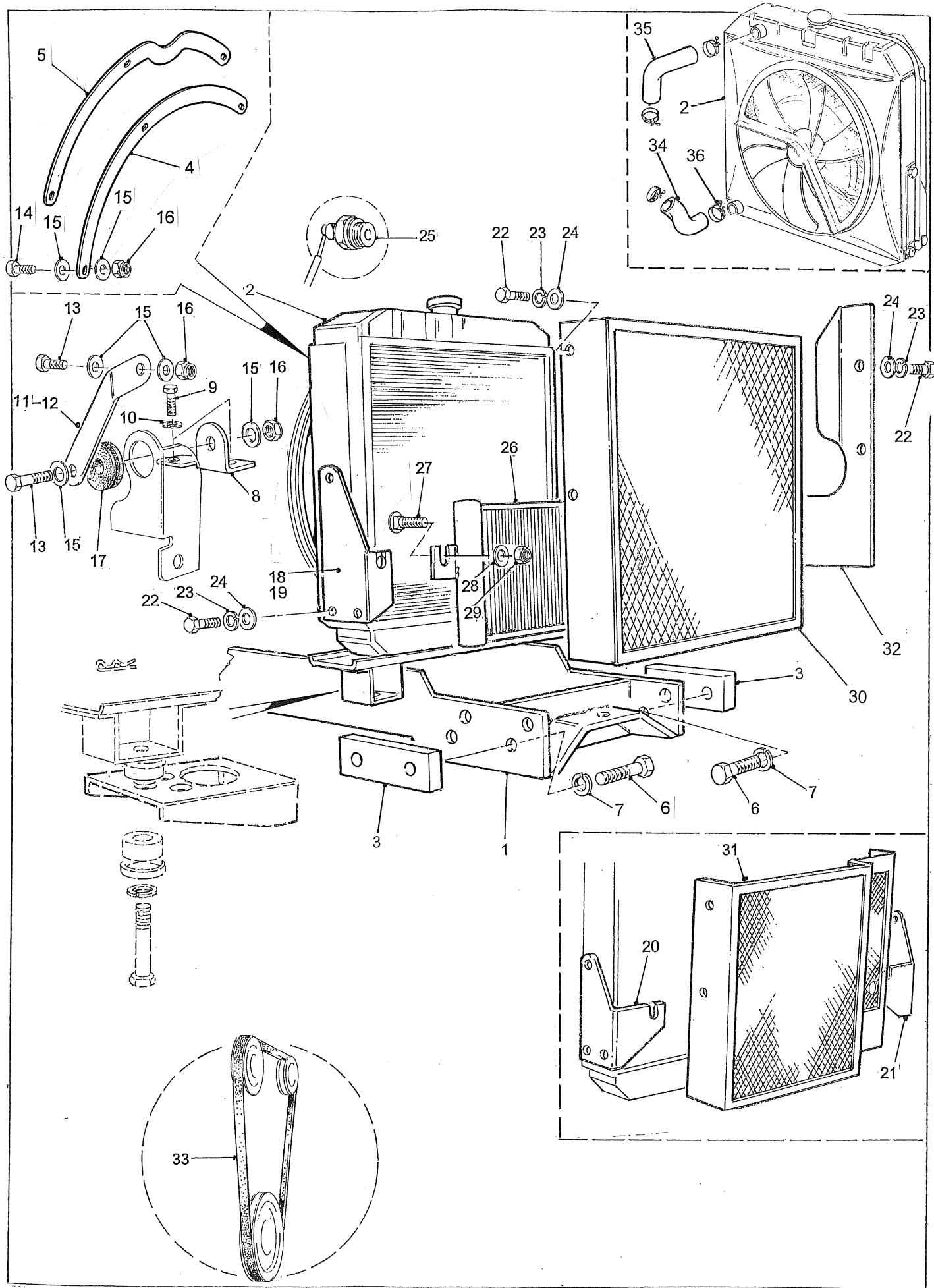
Typical Panel / Cover Fastener

Non Current

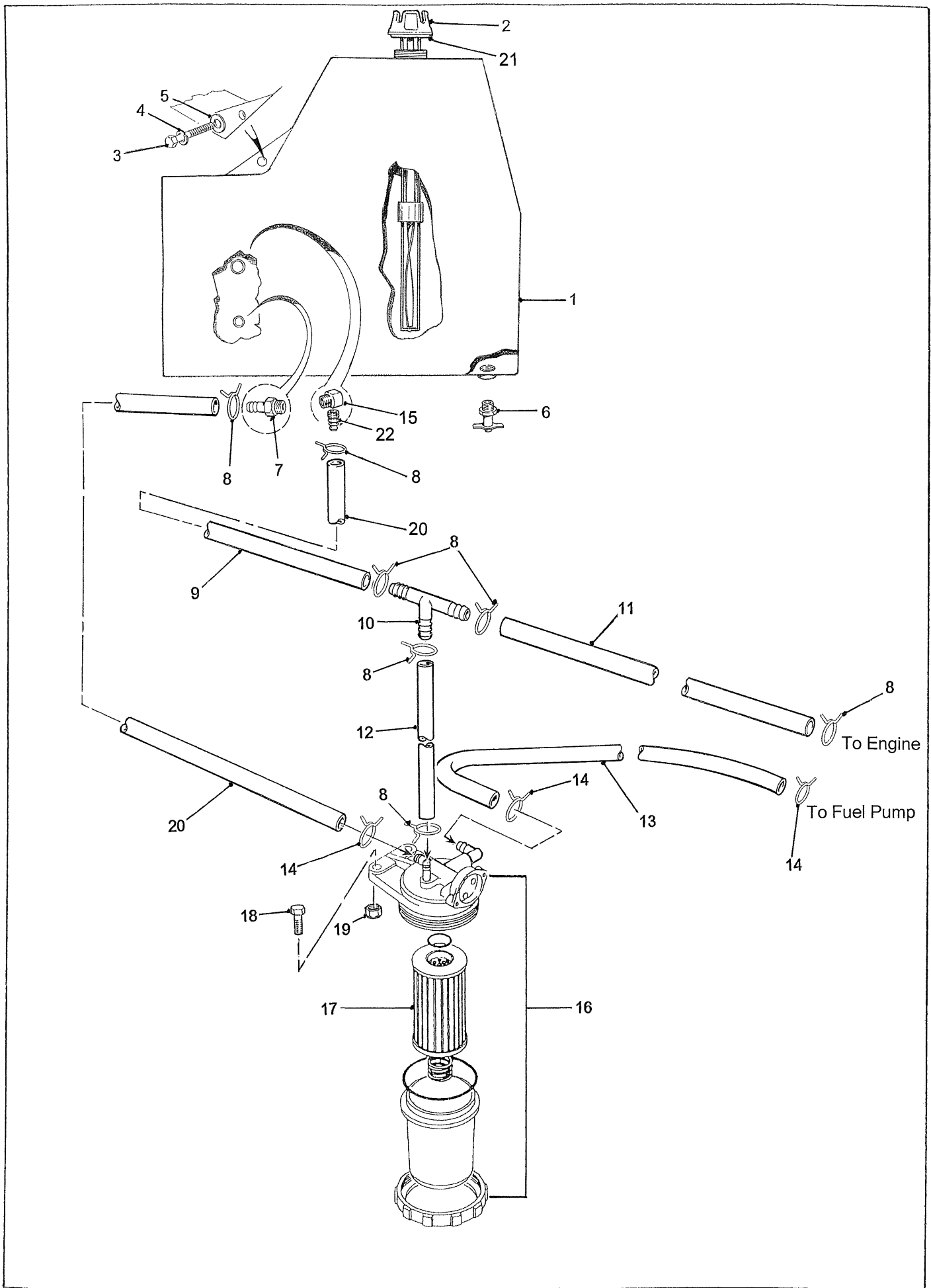
ITEM NO.	PART NO.	DESCRIPTION	QTY
PANELS AND COVERS			
1	T300157	Engine Cover	1
2	Q8351	Rubber Strip (Order by the foot)	A/R
3	KM99011	Lift Handle	1
4	F540406	Bolt 1/4 unc x 3/4 S/S	2
5	F340400	Fender Washer 1/4	2
6	F210400	Locknut 1/4 unc	10
7	T300166	Hood Support	1
8	F320500	Flatwasher 5/16	1
9	F910610	Cotter Pin	1
10	T101303	Spring Clip	1
11	F540210	Bolt #10-24 x 1	1
12	F210200	Locknut #10-24	1
13	KM99010	Hood Latch - Non Current	2
14	F580404	Bolt 1/4unc x 1/2 Pan. Hd. S/S	40
15	F350400	Flatwasher 1/4 S/S	40
16	T100732	Tube Spacer	2
17	KM71003	Hold Down Strap - Non Current up to Serial No. 345	2
18	T100929	Hold Down Button	2
19	F240400	Clip Nut 1/4	3
20	T300182	Hydraulic Oil Tank Cover	1
21	Q8302	Edging Tape (Order by the foot)	A/R
22	KE10055	Lamp. Red. Round.	4
23	KE10008	Grommet	4
24	T100907	Hood Support Brkt.	1
25	D001-022	Decal. ' HYDRAULIC OIL '	1
26	D001-046	Decal. ' Load Capacity ' (4500 / 5000)	1
	D001-080	Decal. ' Load Capacity ' (4000 / 4500 / 5000 / 5500)	1
27	D001-033	Decal. ' To prevent serious injury....'	1
28	D001-S15	Decal. ' Peligro'	1
29	D001-F17	Decal. ' Si vous ne....'	1
30	T100742	Rear Panel. R.H. - Non Current	1
31	D001-037	Kesmac Lift 4500. D001-038=5000. D001-089=5500	2
32	D001-062	Reflective Tape- Red/Silver	3
33	T100741	Rear Panel. L.H.	1
34	KE90012	Lamp. Rear Flood - Bulb Style	1
35	Q8350	Edging. (Order by the foot)	A/R
36	KE90006	Lamp. Rear Stop c/w Grommet	1
37	D001-030	Reflective Tape. Red	2
38	T100711	Front Panel. Upper L.H. - Non Current	1
39	KM99030	Cap - Non Current to Serial No. 293	1
40	T100249	Front Panel. Lower	1
41	T300180	Side Intake Panel	1
42	D001-025	Decal. ' Explosion Hazard....'	1
43	D001-053	Decal. ' Hot Exhaust....'	3
44	D001-023	Decal. ' Diesel Fuel '	1
45	D001-014	Decal.' Kesmac'	1
46	F330500	Washer 5/16	6
47	KM30012	Hole Plug - Non Current to Serial No. 293	1
48	F580204	Bolt #10-24 x 1/2	1
49	T101209	Upper Front Cab Cover	1
50	F010510	Bolt 5/16 unc x 1	6



ITEM NO.	PART NO.	DESCRIPTION	QTY
PANELS AND COVERS			
51	T300248	Rear Panel RH Hinged	1
52	KM99014	Lever Latch c/w mounting hardware	1
53	KM99015	Hood Latch (Elbow Style)	2
54	F580410	Bolt 1/4-20 x 1in Pan. Hd. S/S	8
55	F330400	Lockwasher 1/4	6
56	F210400	Locknut 1/4	6
57	KS60005	Rubber Bumper	2
58	KM30020	Hole Cap	2
59	KD10036	Automotive Controller Unit	1
60	T101278	Mounting Bracket. Controller Unit	1
61	F040406	Bolt 1/4 unc x 3/4 Gr.8	2
62	F040424	Bolt 1/4 unc x 2 1/2 Gr.8	2
63	F320400	Flatwasher 1/4	4
64	KM71007	Hold Down Strap - Current from Serial No. 346	2



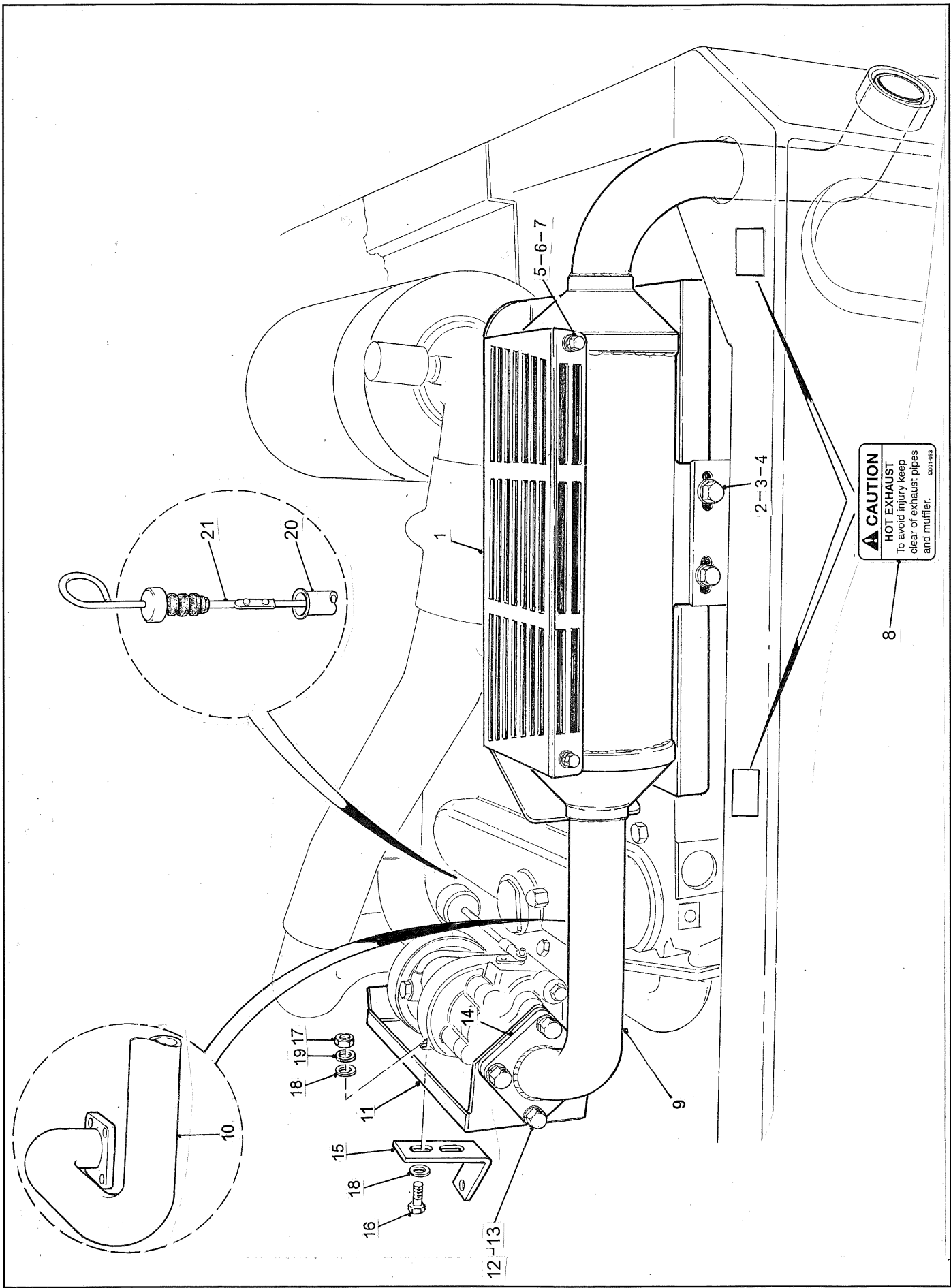
ITEM NO.	PART NO.	DESCRIPTION	QTY
RADIATOR & OIL COOLER ASSEMBLY			
1	T300123	Radiator & Engine Mount	1
2	KK10017	Radiator - Standard Engine	1
	KK10018	Radiator - Turbo Engine	1
3	T100062	Spacer 1/2in.	2
4	T101290	Radiator Support - Turbo Engine	1
5	T101293	Radiator Support - Standard Engine	1
6	G010834	Bolt 8 x 34 m.m. L.H. side	4
7	F310600	Lockwasher 3/8	4
8	T100912	Support Bracket	1
9	G0108016	Bolt 8 x 1.25 x 16 m.m.	2
10	G311000	Lockwasher M10	2
11	T100329	Radiator Support - Standard Engine	1
12	T100486	Radiator Support - Turbo Engine	1
13	F040410	Bolt 1/4unc x 1 Gr.8	2
14	F040406	Bolt 1/4unc x 3/4 Gr.8	2
15	F320400	Flatwasher 1/4	6
16	F210400	Locknut 1/4 unc	3
17	KM99003	Grommet	1
18	T100306	Oil Cooler Mounting Bracket R.H. (Standard Engine)	1
19	T100305	Oil Cooler Mounting Bracket L.H. (Standard Engine) - Not illustrated	1
20	T100307	Oil Cooler Mounting Bracket R.H. (Turbo Engine)	1
21	T100308	Oil Cooler Mounting Bracket L.H. (Turbo Engine)	1
22	G0106012	Bolt M6 -12	10
23	G310600	Lockwasher	10
24	G320600	Flatwasher	10
25	KE70001	Sender - Water Temperature	1
26	KH40039	Oil Cooler (From Serial No. 268) See note.	1
27	F020610	Bolt 3/8 unc x 3/4 Carriage	2
28	F320600	Flatwasher 3/8 unc	2
29	F210600	Locknut 3/8 unuc	2
30	T300080	Radiator Screen Guard (Standard engine)	1
31	T300081	Radiator Screen Guard (Turbo Engine)	1
32	T100429	Side Baffle (Standard Engine Only)	1
33	KK10001	Fan Belt	1
34	KK10050	Radiator Hose. Bottom - Turbo Engine (Kubota Part No. - 1629272850)	1
	KK10048	Radiator Hose. Bottom - Standard Engine (Kubota Part No. - 1662672850)	1
35	KK10049	Radiator Hose. Top. - Turbo Engine (Kubota Part No. - 1629272940)	1
	KK10047	Radiator Hose. Top. - Standard Engine (Kubota Part No. - 1662672940)	1
36	Ref.	Hose Clamp (Kubota Part No. -36200-8272-0)	1
NOTE: Use oil cooler KH40008 on units up to Serial No.267			



ITEM NO.	PART NO.	DESCRIPTION	QTY
FUEL TANK & FILTER			
1	T300275	Fuel Tank	1
	T100431	Fuel Tank - Obsolete	1
2	KM10025	Filler Cap c/w Level Gauge	1
3	F040640	Bolt 3/8 x 4 Gr.8	1
4	F310600	Lockwasher 3/8	1
5	F320600	Flatwasher	1
6	KH50001	Drain Cock	1
7	KH01115	Hose End. 5/16 Male Rigid	1
8	KU04003	Hose Clamp 3/16	6
9	T100677	Return Hose. ' Tee ' to Tank	1
10	KH00501	' Tee' Fitting 3/16	1
11	T100678	Hose. Engine Return to ' Tee'	1
12	T100679	Hose. Filter to ' Tee '	1
13	T100676	Hose. Filter to Fuel Pump	1
14	KU04004	Hose Clamp. 5/16	4
15	4-2-140239	Fitting. 90deg. Elbow	1
16	KK10034	Filter Assembly	1
17	KK10035	Filter Element	1
18	F040506	Bolt 5/16 unc x 3/4 Gr. 8	2
19	F210500	Locknut 5/16 unc	2
20	T100675	Hose. Filter to Tank	1
21	KM10026	Gasket	1
22	KH01117	Hose End. Straight Barb	1

NOTE

Items 1, 2, 6, 7, 15 & 22
are available as
assembly - T500050.



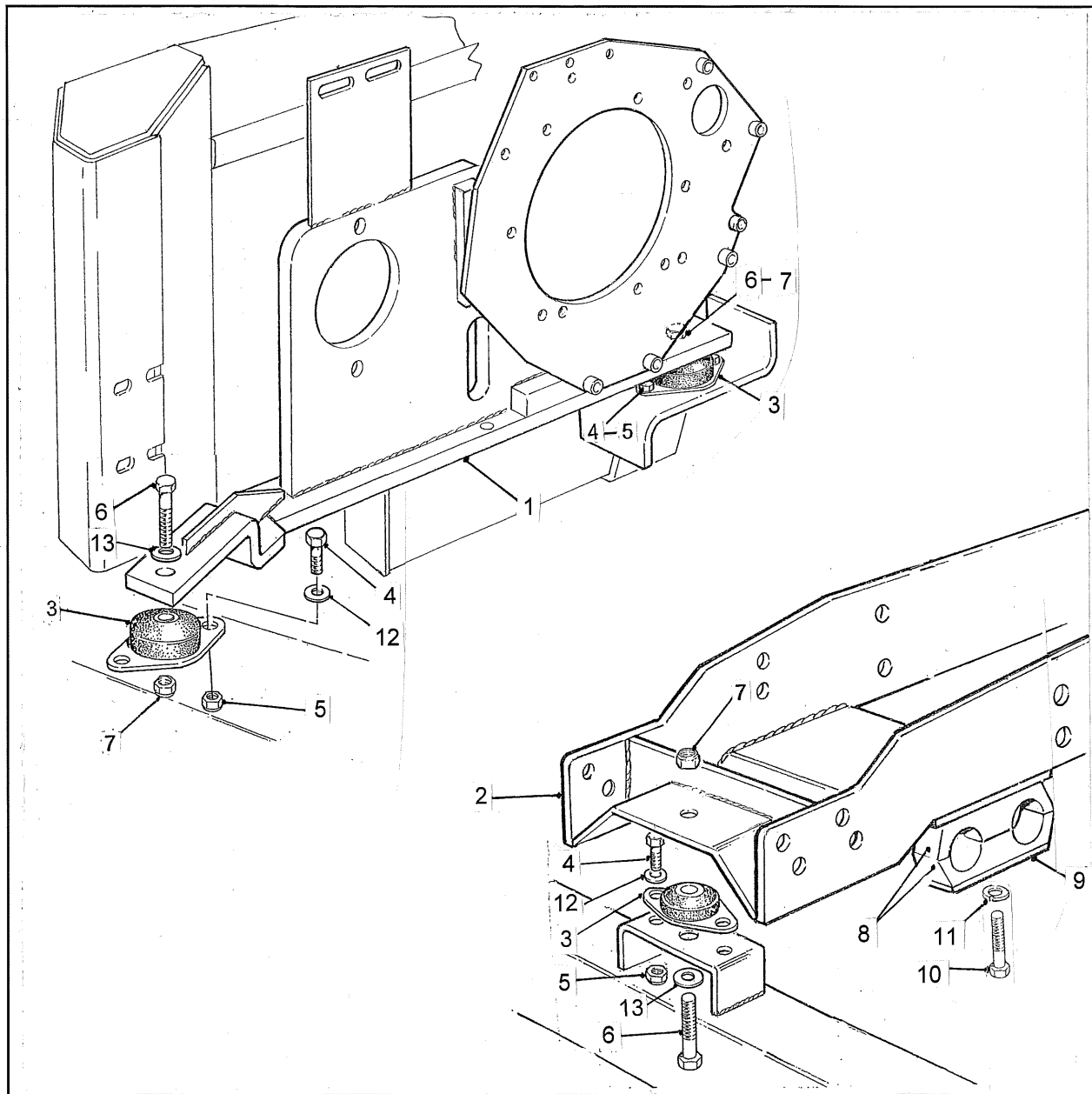
CAUTION
 HOT EXHAUST
 To avoid injury keep
 clear of exhaust pipes
 and muffler.

0001-003

ITEM NO.	PART NO.	DESCRIPTION	QTY
MUFFLER (Turbo & Standard)			
1	T100890	Muffler Shield	1
2	F040510	Bolt 5/16 unc x 1 Gr.8	2
3	F320500	Flatwasher 5/16	2
4	F210500	Locknut	2
5	F040404	Bolt 1/4 unc x 1/2 Gr.8	2
6	F320400	Flatwasher 1/42	2
7	F310400	Lockwasher 1/4	2
8	D001-053	Decal. ' Caution. Hot Exhahust...'	2
9	T300171	Muffler (Turbo)	1
10	T300170	Muffler (Standard)	1
11	T100889	Heat Shield (Turbo)	1
12	G010830	Bolt	4
13	G310800	Washer	4
14	KK10016	Gasket	1
15	T101014	Brace	1
16	F580406	Bolt 1/4 unc x 3/4 Pan Hd. S/S	2
17	F300400	Nut 1/4 unc S/S	2
18	F350400	Flatwasher 1/4 S/S	2
19	F360400	Lockwasher 1/4 S/S	2
20	KK10068	Dipstick Tube	1
21	KK10069	Dipstick	1

ITEM NO.	PART NO.	DESCRIPTION	QTY
AIR CLEANER. (Turbo Engine)			
1	T100729	Hose. Centre Section	1
2	T100883	Insert Tube (Turbo End)	1
3	T101314	Insert Tube (Air Cleaner End)	1
4	KK10024	Hose (Turbo End)	1
5	KU03022	Hose Clamp. - No. 24	1
6	KU03024	Hose Clamp. - No. 32	1
7	KU03025	Hose Clamp. - No. 44	3
8	KU03021	Hose Clamp. - No. 52	1
9	KM99029	Reducer Hose	1
10	KK99019	Air Cleaner Assy. (Turbo)	1
11	KK99020	Inner Element (Not illustrated)	1
12	KK99021	Outer Element (Not illustrated)	1
13	KK99023	Indicator - Air Cleaner	1
14	KK99022	Mounting Band	1
15	T100743	Air Cleaner Mounting Panel	1
16	F040506	Bolt 5/16 unnc x 3/4 Gr.8	2
17	F210500	Locknut 5/16 unc	2
18	F540406	Bolt 1/4 x 3/4 unc. Phil. Hd. S/S	9
19	F210500	Locknut 5/16 unc	4
20	T100810	Intake Hose	1
21	T300099	Intake Flange	1
22	Ref.	Rivet	4
23	T300180	Side Intake Panel	1
24	F240400	Clip Nut 1/4	2
25	F350400	Flatwasher 1/4 S/S	5
26	D001-025	Decal. ' Warning. Explosion Hazard...'	1
AIR CLEANER. (Standard Engine)			
1	KK99014	Air Cleaner	1
2	KK99015	Inner Element (Not illustrated)	1
3	KK99016	Outer Element (Not illustrated)	1
4	KK99017	Mounting Band	1
5	KK99023	Indivator - Air Cleaner	1
6	T100811	Intake Hose	1
7	KU03024	Hose Clamp. - No. 32	4
8	T100730	Hose - Air Cleaner to manifold	1
9	T300098	Intake Flange	1
10	Ref.	Rivet	4

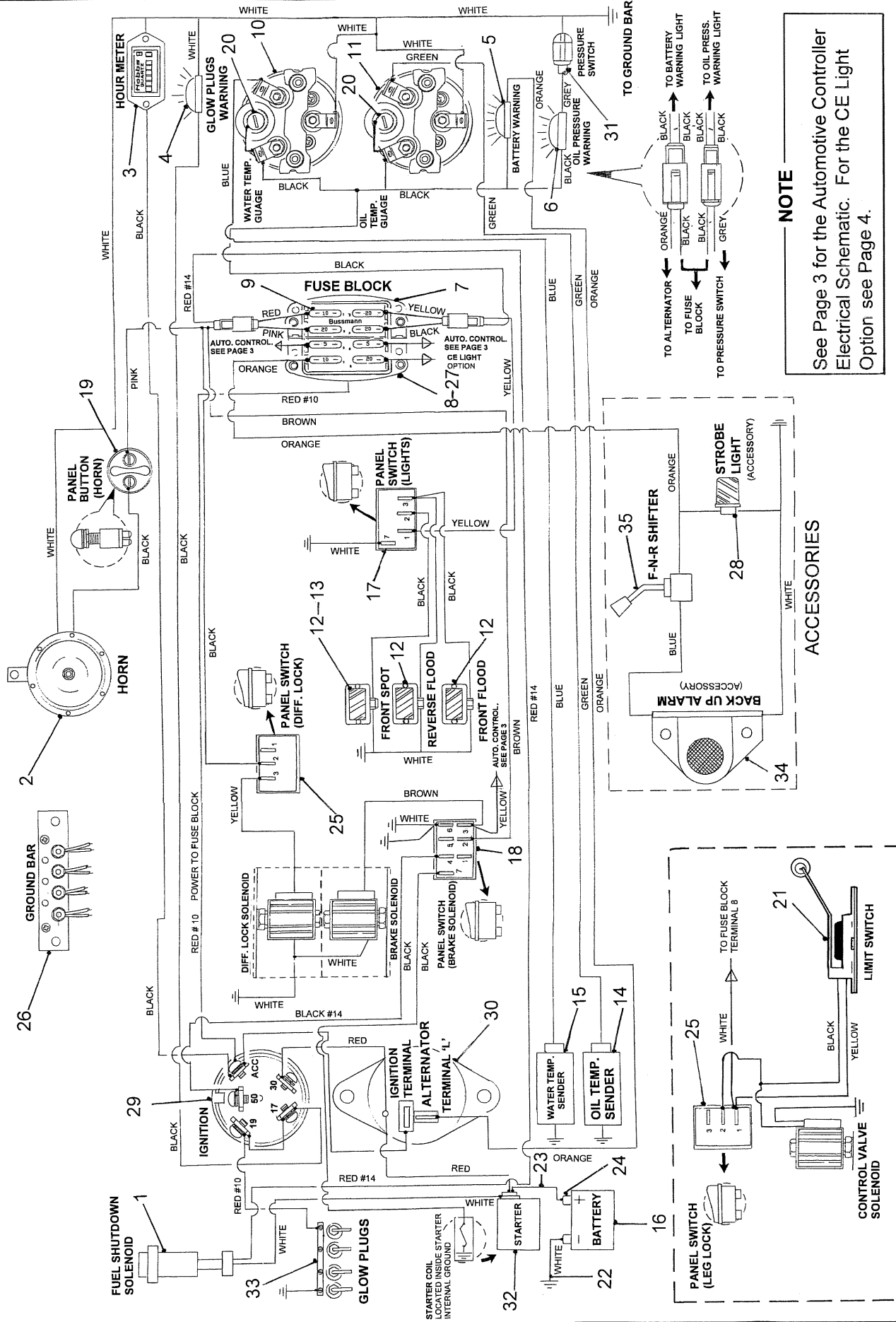
ITEM NO.	PART NO.	DESCRIPTION	QTY
ENGINE MOUNTS			
1	T300176	Hydraulic Pump Mount	1
2	T300123	Engine & Radiator Mount	1
3	KM71002	Rubber Engine Mount	3
4	F040510	Bolt 5/16 unc x 1 Gr.8	6
5	F210500	Locknut 5/16 unc	6
6	F040620	Bolt 3/8 unc x 2 Gr.8	3
7	F210600	Locknut 3/8 unc	3
8	KH65012	Clamp - Steel Line	2
9	KH63002	Clamp Plate	2
10	F040524	Bolt 5/16 unc x 2 1/2 Gr.8	2
11	F310500	Lockwasher 5/16	2
12	F320500	Flatwasher 5/16	4
13	F320600	Flatwasher 3/8	4



SECTION 6

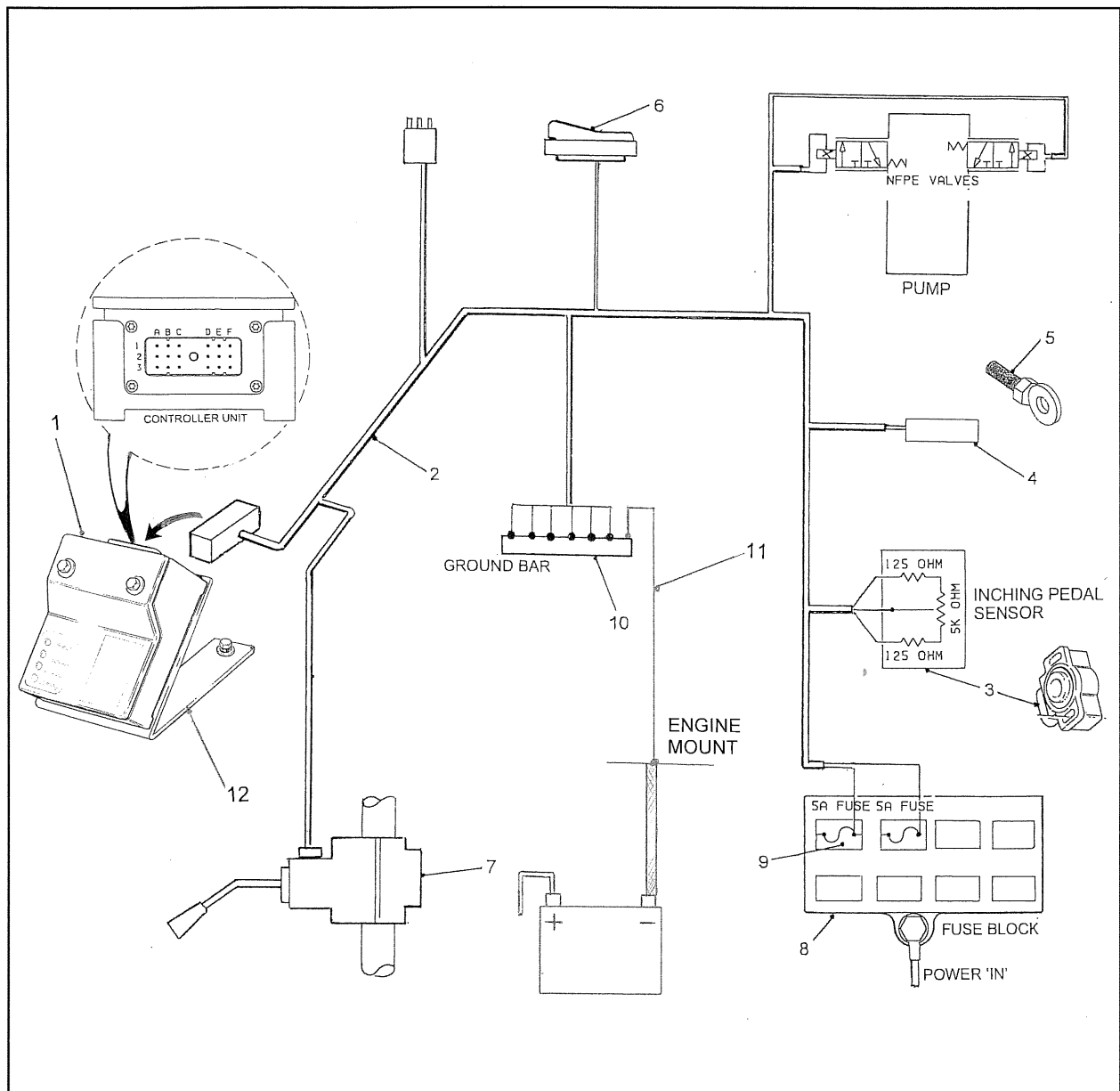
Electrical System	1
Automotive Controller	3
CE Light Package Electrical System(option)	4
Transport Wiring Harness & Lights	5

ELECTRICAL SYSTEM

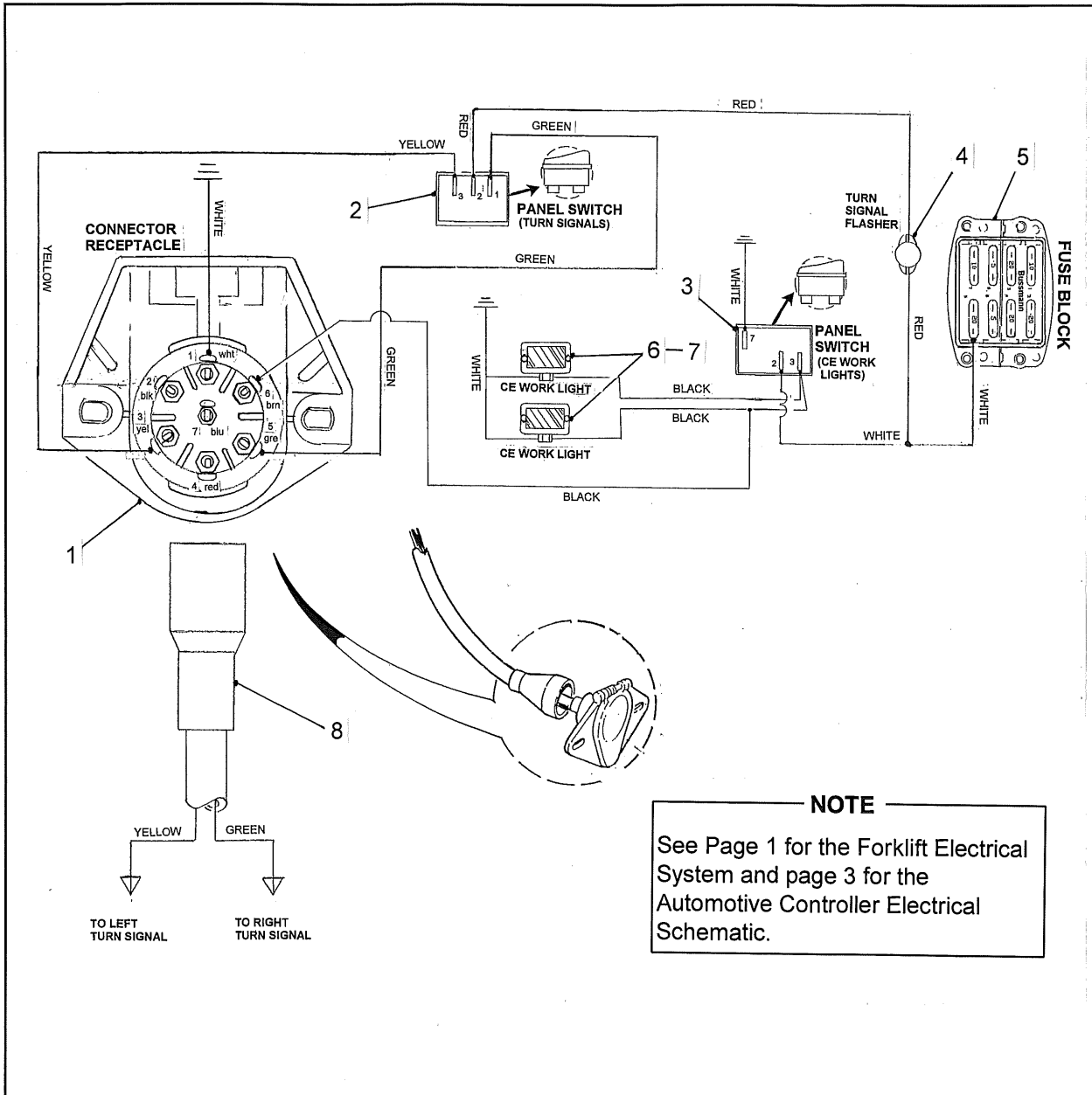


ITEM NO.	PART NO.	DESCRIPTION	QTY
ELECTRICAL SYSTEM			
	T500120	Dash Wiring Harness	1
1	KK99024	Shutdown Solenoid	1
2	KE10027	Horn	1
3	KE70005	Hour Meter	1
4	KE90002	Warning Light - Green	1
5	KE90003	Warning Light - Red	1
6	KE90001	Warning Light - Amber	1
7	T500141	Fuse Block	1
8	KE10061	Fuse 20A	2
9	KE10062	Fuse 10A	4
10	KE70002	Water Temperature Gauge	1
11	KE70004	Oil Temperature Gauge	1
12	KE90012	Lamp Worklight 12V	3
13	KE90014	12V 55W Replacement Bulb	3
14	KE70003	Oil Temperature Sender	1
15	KE70001	Water Temperature Sender	1
16	KE10074	Battery	1
17	KE80010	Panel Switch - Lights	1
18	KE80008	Panel Switch - Brake	1
19	KE10021	Push Button - Horn	3
20	KE10002	Bulb c/w Holder	2
21	KE80005	Limit Switch	1
22	KE10080	Ground Cable	1
23	KE10044	Cable - Battery to Starter	1
24	KE10076	Battery Terminal Cover	1
25	KE80011	Panel Switch - Diff.lock & Retract (option)	5
26	T100944	Ground Bar	4
27	KE10085	Fuse. 5 amp.	2
28	KE10134	Strobe Light (Accessory)	1
29	KK10023	Ignition / Start Switch	1
30	Kubota Part No.	Alternator	Ref.
31	Kubota Part No.	Oil Pressure Switch	Ref.
32	Kubota Part No.	Starter Motor	Ref.
33	Kubota Part No.	Glow Plugs	Ref.
34	KE10065	Back-up Alarm (Accessory)	1
35	REF.	F-N-R Control	Ref.
	T500057	Block Heater Kit (Not illustrated)	1

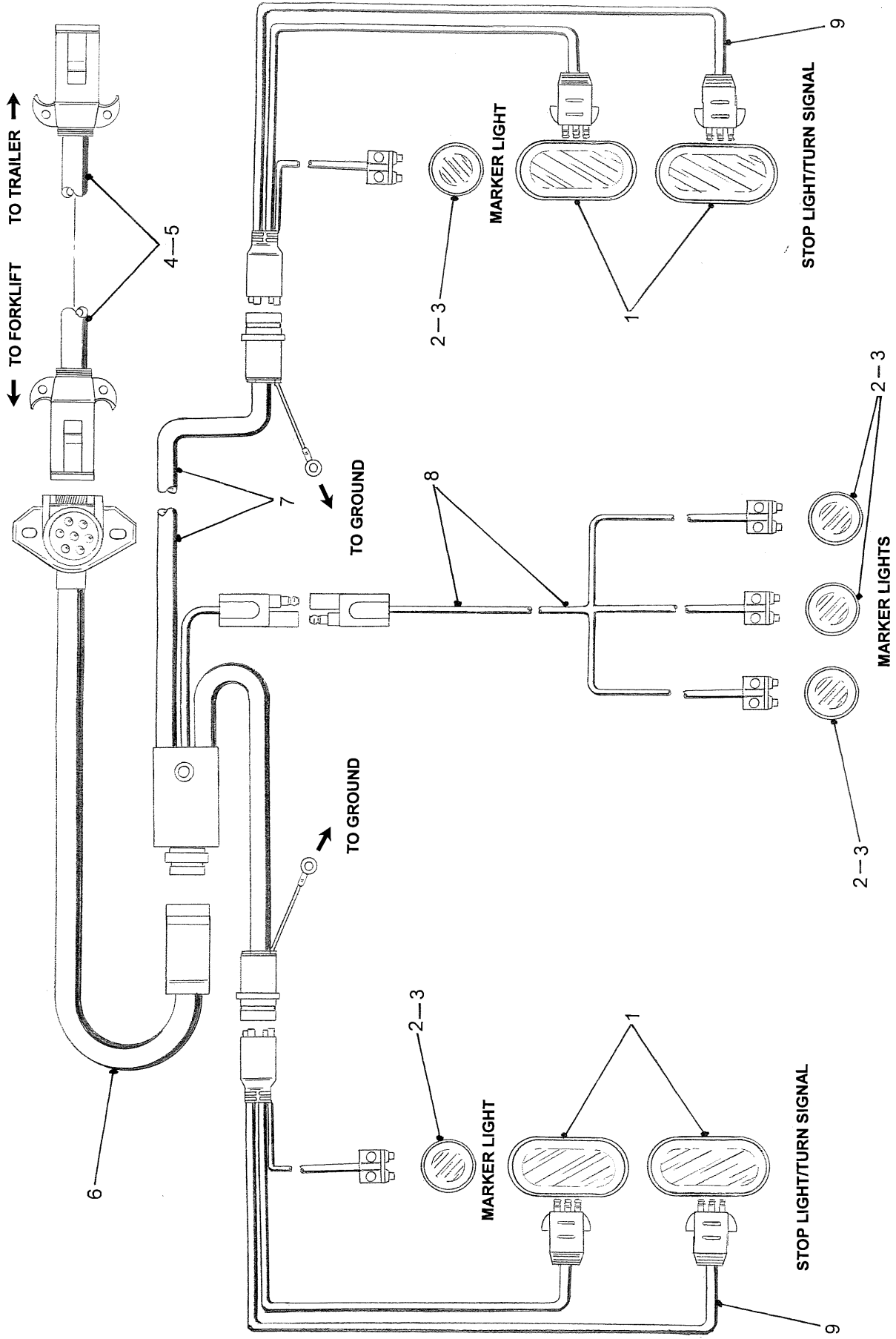
ITEM NO.	PART NO.	DESCRIPTION	QTY
AUTOMOTIVE CONTROLLER ELECTRICAL SCHEMATIC			
1	KD10036	Controller Unit	1
2	T500120	Controller Harness c/w plugs	1
3	KE70008	Inching Sensor	1
4	T500168	Speed Sensor Assembly	1
5	T300181	Speed Sensor Mount	1
6	KE80007	Panel Switch - Brake	1
7	KD10037	F - N - R Control	1
8	T500141	Fuse Block	1
9	KE10085	Fuse. 5 amp.	2
10	T100944	Ground Bar	1
11	T500165	Ground Cable	1
12	T101278	Mounting Bracket. Controller Unit	1



ITEM NO.	PART NO.	DESCRIPTION	QTY
CE LIGHT PACKAGE ELECTRICAL SYSTEM (OPTION)			
1	KE10068	Receptacle. 7 Way Connector	1
2	KE80011	Switch. Turn Signals	1
3	KE80010	Switch. CE Worklights	1
4	KE10118	Turn Signal Flasher	1
5	KE10131	Fuse Block	1
6	KE90012	Lamp. Worklight 12V	2
7	KE90014	12V 55W Replacement Bulb	2
8	KE60005	Plug. 7 Way Connector - Fixed Leg	1
	KE60006	Plug. 7 Way Connector - Retractable Leg	1



TRANSPORT WIRING HARNESS & LIGHTS



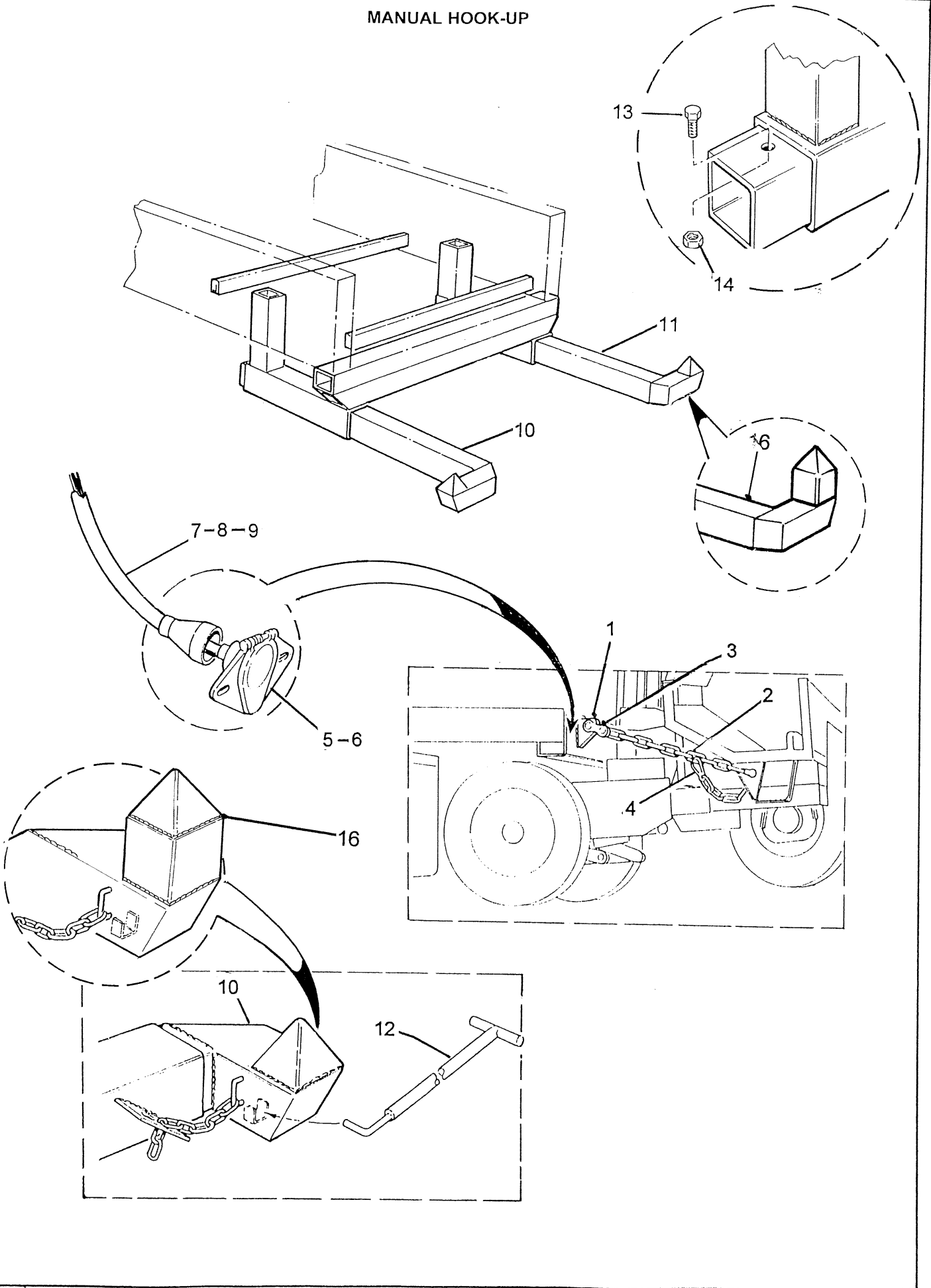
ITEM NO.	PART NO.	DESCRIPTION	QTY
TRANSPORT WIRING HARNESS & LIGHTS			
1	KE90006	Lamp. Rear Stop c/w Grommet	4
2	KE10055	Lamp. Red. Round	5
3	KE10008	Grommet	5
4	KE60005	Cable. Unit to Trailer. 7-way Receptacle. (30 in. Fixed Leg)	1
5	KE60006	Cable. Unit to Trailer. 7-way Receptacle. (44 in. Retractable Leg)	1
6	KE60010	Wire Harness. Main	1
7	KE60011	Wire Harness. Rear	1
8	KE60012	Wire Harness. 3 In Line (3 Marker Lights.)	1
9	KE60013	Wire Harness. Uni Pigtail (Tail Lights & Marker Lights	2

SECTION 7

HOOK-UP KITS

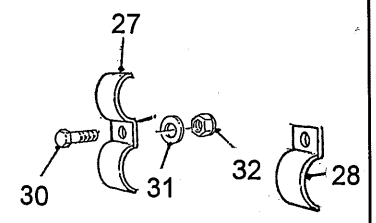
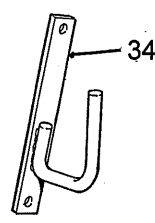
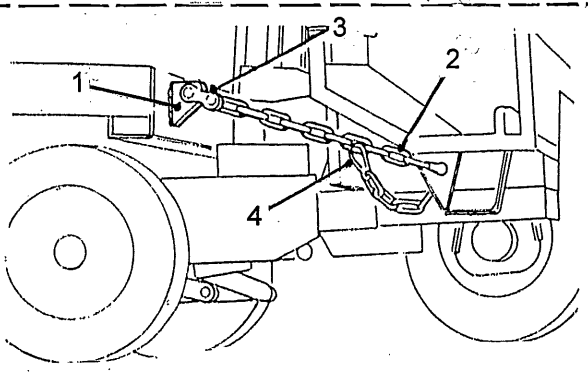
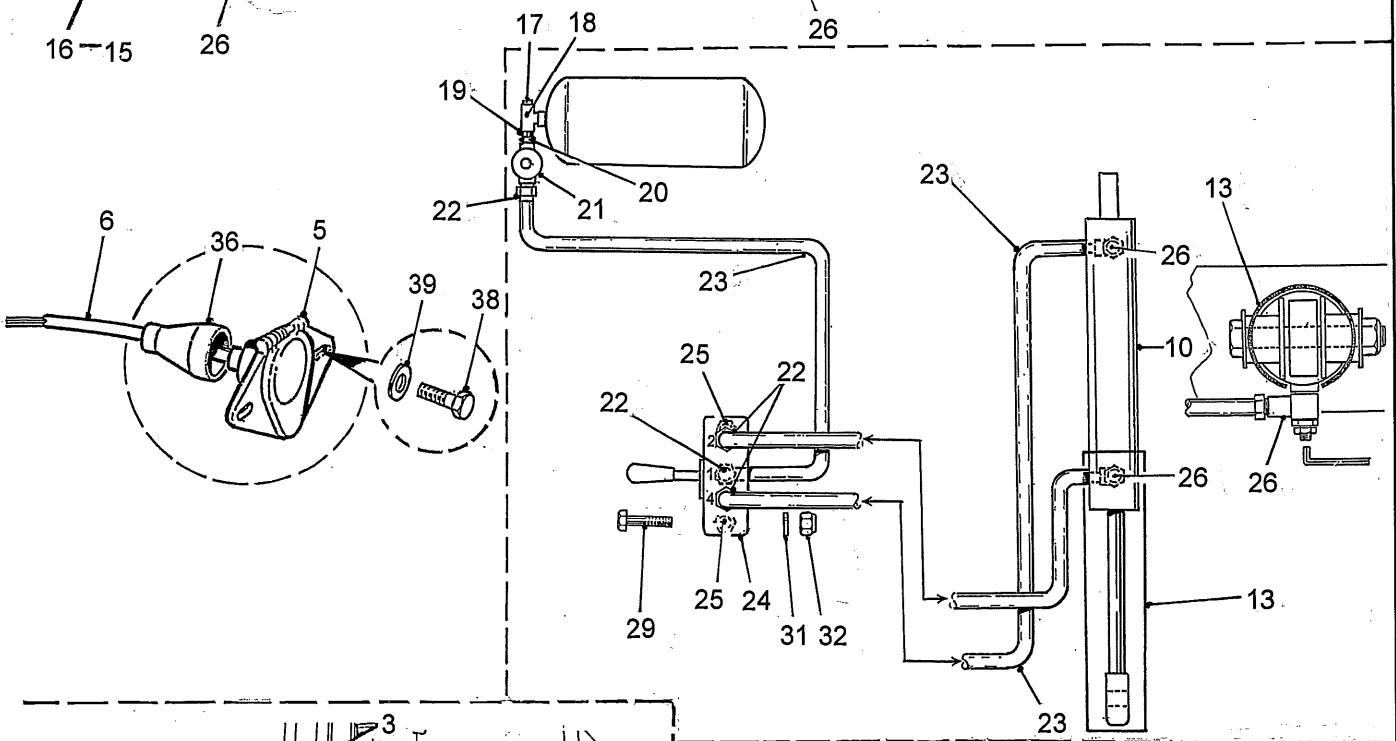
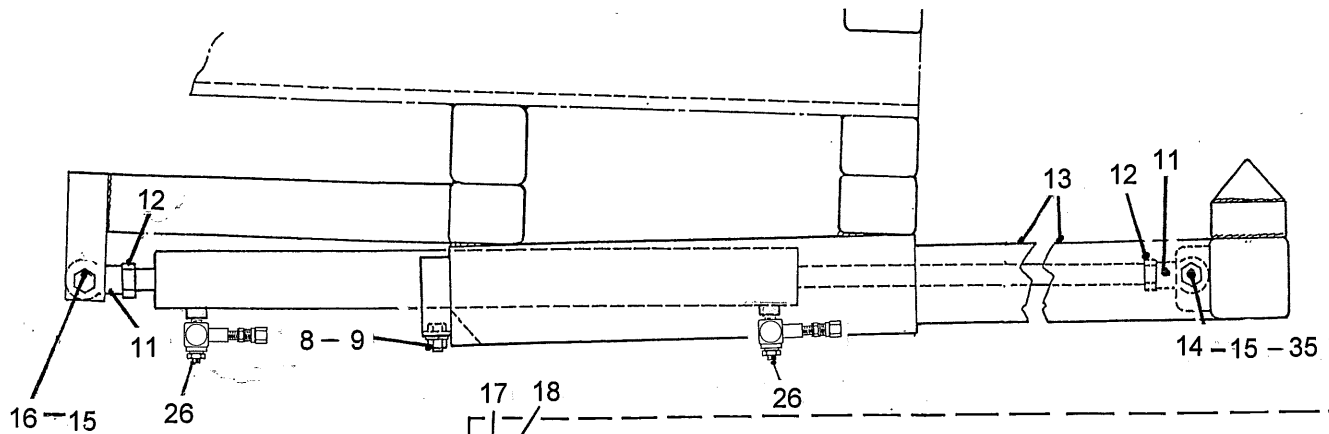
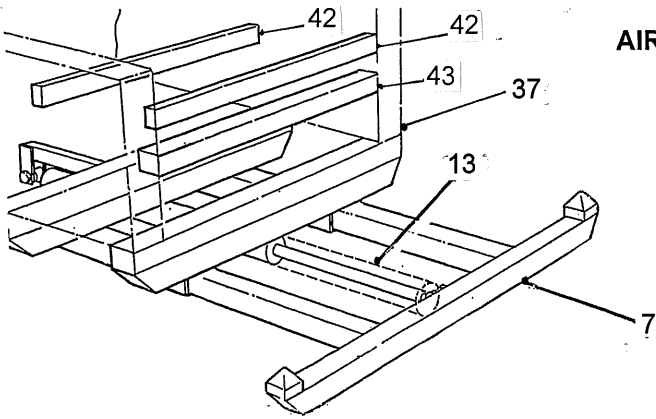
Manual Slide	1
Air Slide	3
Air Swing	5

MANUAL HOOK-UP



ITEM NO.	PART NO.	DESCRIPTION	QTY
MANUAL HOOK-UP			
Ref	T900101	Manual Hook-up Kit. (See note)	
Ref	T900111	5500F Manual Hook-up Kit. (See note)	
1	T100283	Safety Chain Lug. (Weld to trailer deck)	2
2	T100893	Safety Chain 3/8 L7 Transport Chain	2
3	KX08000	Double Clevis	2
4	F990102	Snap Hook 3/8	2
5	KE10012	Connector Receptacle 6-Way.Non current	1
6	KE10068	Connector Receptacle 7-Way.	1
7	Q8175	Connector Cable. 6 wire. Non current.	A/R
8	Q8176	Connector Cable. 7 wire.	A/R
9	KE98063	Electrical Connectors	7
10	T300048	Support Tube . L.H.	1
11	T300049	Support Tube. R.H.	1
12	T300029	Pull Handle	1
13	F040810	Bolt !/2 unc x 1 Gr.8	2
14	F210800	Locknut 1/2 unc	2
15	T300257	5500F Support Tube L.H. (not shown)	1
16	T300258	5500F Support Tube R.H.	1
<p>Note : T900050 Chain Hook-up Kit . Standard, includes items 1, 2, 3& 4.</p>			

AIR SLIDE HOOK-UP



ITEM NO.	PART NO.	DESCRIPTION	QTY
AIR SLIDE HOOK-UP			
Ref.	T900100	Air Slide Hook-up Kit Standard	
Ref.	T900104	Air Slide Hook-up Kit. Pad Mount. (See note)	
1	T100283	Safety Chain Lug. (Weld to Trailer)	2
2	T100893	Safety Chain. 3/8 L7 Transport Chain	2
3	KX08000	Double Clevis	2
4	KC01036	Fireman Snap	2
5	KE10068	Receptacle Connector 7 way.	1
6	Q8176	Connector Cable 7 - Wire	5 ft. A/R
7	T300051	Sliding Tubes Weldt.	1
8	F040810	Bolt 1/2 unc x 1 Gr.8	2
9	F210800	Locknut 1/2 unc	2
10	T500017	Air Cylinder	1
	KH70068	Seal Kit. Air Cylinder	1
11	KB16008	Rod End	2
12	F221250	Nut 3/4 unf. (Rod End)	2
13	T101157	Piston Rod Shield	1
14	F041244	Bolt 3/4 unc x 4 1/2 Gr.8	1
15	F211200	Locknut 3/4 unc	2
16	F040224	Bolt 3/4 unc x 2 1/2 Gr.8	1
17	KA11031	Plug 3/8 npt	1
18	6-6-6-130425	Male Branch Tee 3/8 npt	1
19	6-4-130140	Bushing 3/8 x 1/4 npt	1
20	KA12220	Nipple 1/4 npt x 2	1
21	KA01003	Pressure Protection Valve	1
22	6-100102BA	Connector 1/4 npt x 3/8 Tube	4
23	Q8566	Air Brake Tubing	40 ft. A/R
24	KA01001	Air Control Valve 4 Way. 5-Port. 3 Position	1
25	KA99001	Air Muffler	2
26	KA01004	Air Flow Regulator	2
27	KM60011	Double Clip. 3/8	6
28	KM60003	Clip. 3/8	4
29	F570220	Bolt #10 unf x 2. Pan. Hd. Phil. S.S.	2
30	F570206	Bolt #10 unf x 3/4. Pan. Hd. Phil. S.S.	10
31	F320200	Washer #10	12
32	F210250	Locknut #10	12
33	KX99107	Cable Tie. (not shown)	12
34	T300236	Chain Hook. L.H. (Option)	1
	T300237	Chain Hook. R.H. (Option)	1
35	T101072	Spacer. (Rod End)	2
36	KE10070	Protective Boot	1
37	T300105	Support Weldment	1
38	F040410	Bolt 1/4 unc x 1 Gr.8	2
39	F310400	Lockwasher 1/4	2
40	KA66016	Ball Valve. Brass - 14 npt Male/Female c/w Tee Handle	1
41	4W130239	Street Elbow. 1/4 npt	3
42	T100800	Fork Support Tube	2
43	T100801	Fork Support Tube	1
NOTE			
<div style="border: 1px solid black; padding: 5px;"> Pad Mount Hook-up Kit contains: Q8404 Chain. KX08009 Coupling Link. F910600 Safety Lock Pin and T100849 Shackle. </div>			

ITEM NO.	PART NO.	DESCRIPTION	QTY
SWING ARM HOOK-UP			
Ref.	T900103	Swing Arm Hook-up Kit. (See note.)	
1	T100283	Safety Chain Lug. (Weld to trailer deck)	2
2	T100893	Safety Chain 3/8. L7. Transport Chain	2
3	KX08000	Double Clevis	2
4	F990102	Snap Hook	2
5	KE10011	Connector Receptacle. 6 way. (Non current)	1
	KE10068	Connector Receptacle. 7 way.	1
6	Q8175	Connector Cable. 6 wire. (Non current)	A/R
	Q8176	Connector Cable. 7 wire.	A/R
7	KE98063	Electrical Connectors	7
8	T300168	Swing Arm. R.H.	1
9	T300167	Swing Arm. L.H.	1
10	KB40213	Bushing	4
11	KB4012	Thrust Bearing	2
12	T100777	Thrust Ring	2
13	T100756	End Cap	2
14	F040030	Bolt 5/8 unc x 3 Gr.8	8
15	F311000	Lockwasher 5/8	8
16	KX90020	Grease Fitting	8
17	T100498	Clevis End. Swing Arm	2
18	F040824	Bolt 1/2 unc x 2 1/2 Gr.8	2
19	F040616	Bolt 3/8 unc x 1 3/4 Gr.8	2
20	F210600	Locknut 3/8 unc	2
21	KA02001	Air Cylinder	2
22	KX90100	Bellows. Swing Arm Cylinder	2
23	KA01002	Flow Regulator c/w air fitting	4
24	Q8564	Airbrake Hose 1/4 in.	A/R
25	Q8566	Airbrake Hose 3/8 in.	A/R
26	4-100401BA	Union Tee. 1/4 tube	2
27	KA01001	Air Control Valve. 4 way, 3 position.	1
28	KA99001	Air Muffler	2
29	4W-130239	Street Elbow. 1/4 npt.	3
30	4X4-100102BA	Male Connector 1/4 npt x 1/4 npt tube.	6
31	KA01003	Pressure Protection Valve. (Air tank)	1
32	KA12220	Long Nipple 1/4 npt x 2	1
33	6-100102BA	Male Connector 3/8 tube x 1/4 npt	2
34	KM60004	Double Clip 1/4	6
35	KM60003	Clip 3/8	4
36	F330800	Washer 1/2 in.	2
37	F010220	Bolt 10-32 x 2	2
38	F330200	Washer #10	12
39	F210250	Locknut 10-32	12
40	F010206	Bolt 10-32 x 3/4	10
41	F220850	Nut 1/2 unf.Jam	2
	KX99106	Tie wraps (Not shown)	12
<p>Note : T900050 Chain hook-up kit, Standard,includes items 1,2 3&4. T900051 Chain hook-up kit, pad mount, includes Q8404 Chain, KX08009 Coupling Link, F910600 Safety Lock Pin,T100849 Shackle.</p>			

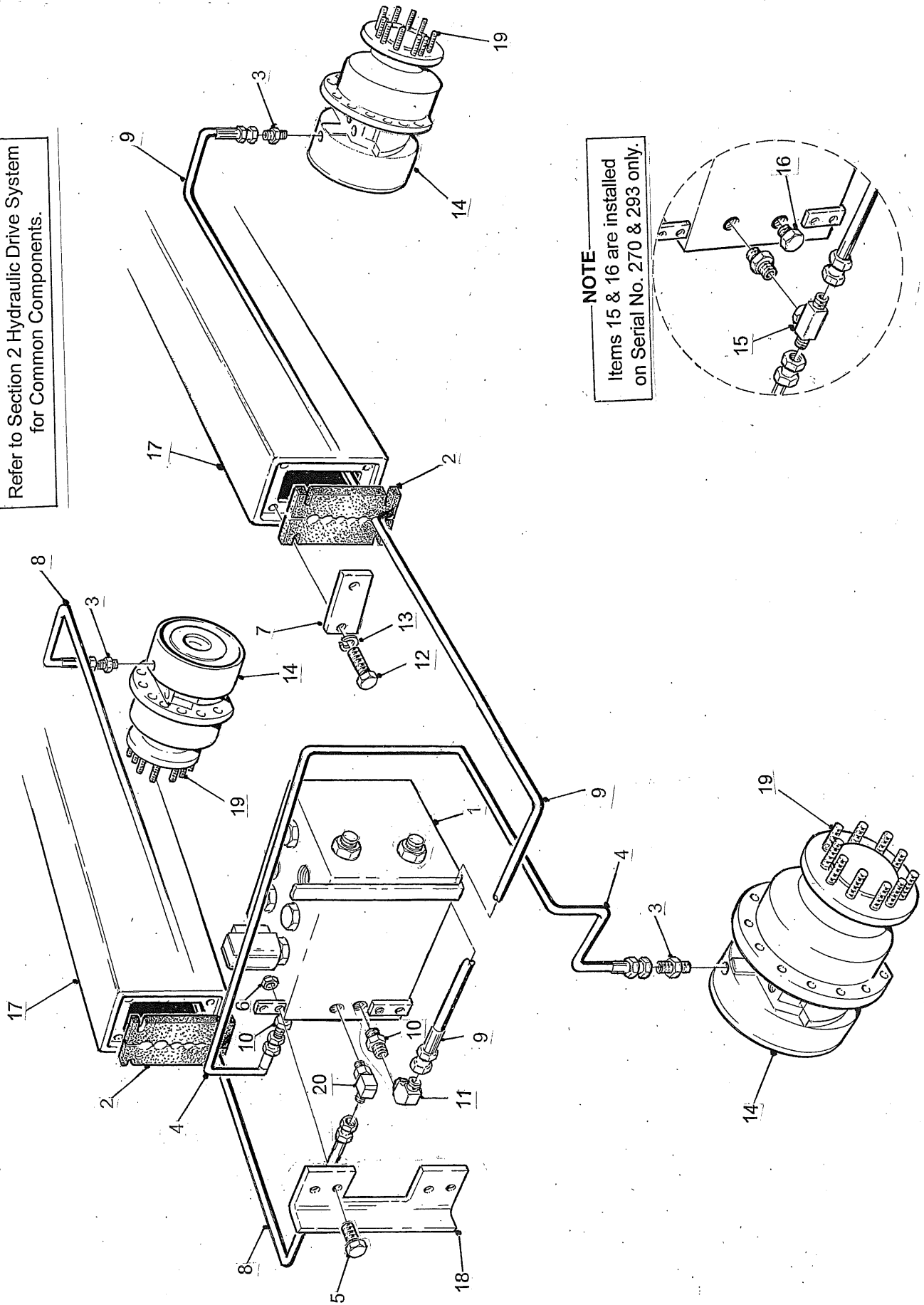
SECTION 8

5500 MODEL

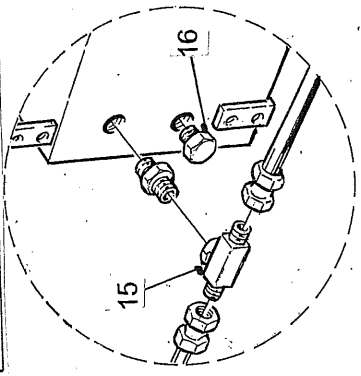
3 – Wheel Brake System	1
Wheel Motors, Rims & Tires	3

3 - WHEEL BRAKE SYSTEM

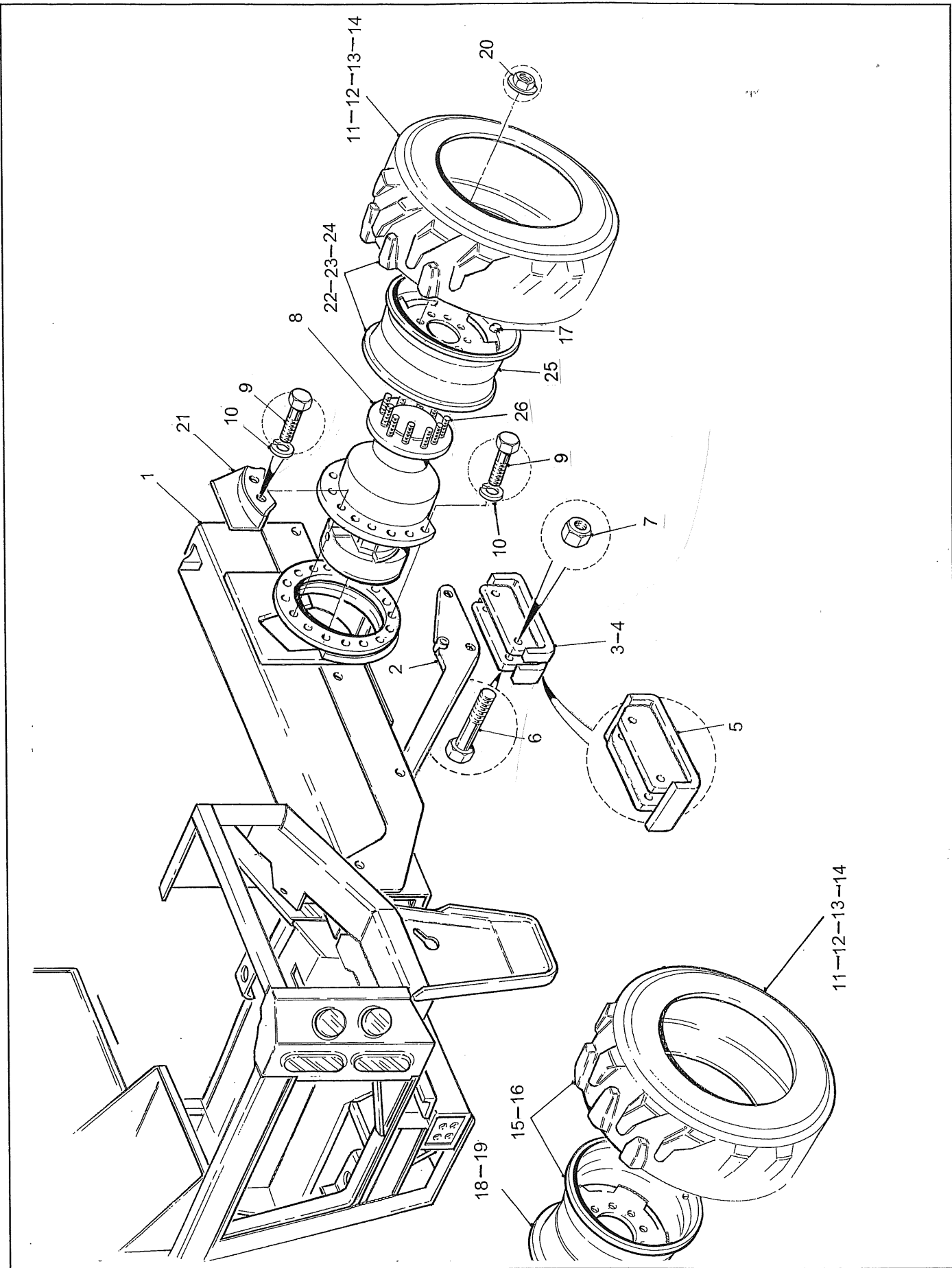
NOTE
Refer to Section 2 Hydraulic Drive System
for Common Components.



NOTE
Items 15 & 16 are installed
on Serial No. 270 & 293 only.



ITEM NO.	PART NO.	DESCRIPTION	QTY
3 - WHEEL BRAKE SYSTEM			
1	T500118	Diff-lock Valve	1
2	T100323	Hose Clamp Set	2
3	4-6-520120	No. 4 Tube to No. 6 'O' Ring Connector	3
4	T101606	Hose Assembly Diff-lock 'BR' to Rear Motor Brake	1
5	F040506	Bolt 5/16 unc x 3/4 Gr.8	4
6	F210500	Locknut 5/16 unc	4
7	T100324	Hose Clamp Bar	4
8	T101644	Hose Assembly Diff-lock to LH Front Motor Brake	1
9	T101690	Hose Assembly Diff-lock to RH Front Motor Brake	1
10	4-4-520120	No. 4 Tube to No. 4 'O' Ring Connector	1
11	4-4-520221	No. 4 Tube 90 deg Swivel Elbow	1
12	F040516	Bolt 5/16 unc x 1 3/4 Gr.8	8
13	F310500	Lockwasher 5/16	8
14	KH30021	Wheel Motor c/w Brake	3
15	4-4-4-520433	No. 4 Swivel Branch Tee	1
16	4-090109A	No. 4 'O' Ring Plug	1
17	T300188	Main Frame	1
18	T101042	Brake Line Guard	1
19	F061400	Stud - 14mm. Wheel Motor	10
20	4-4-070221	No. 4 Tube to No. 4 'O' Ring 90 deg. Elbow	1
<p>NOTE</p> <p>Items 15 & 16 are installed on Serial No. 270 & 293 only.</p>			
<p>NOTE</p> <p>Item 14 KH30021 installed on Serial No. 270 & 293 KH30004 used on Serial No. 294 & up.</p>			



WHEEL MOTORS, RIMS & TIRES
5500 MODEL

ITEM NO.	PART NO.	DESCRIPTION	QTY
WHEEL MOTORS, RIMS & TIRES 5500 MODEL			
1	T300188	Main Frame	1
2	T300146	Stabilizer Leg	1
3	T300264	Stabilizer Foot RH (Shown)	1
4	T300263	Stabilizer Foot LH	1
5	T300092	Stabilizer Foot Opt.	1
6	F040224	Bolt 3/4 unc x 2 1/2 Gr.8	2
7	F211200	Locknut 3/4 unc	2
8	KH30021	Wheel Motor c/w Brake	2
9	F081014	Bolt 5/8 unf x 1 1/2 Gr.8	10
10	F311000	Lockwasher 5/8	10
11	KW52004	Tire. 10 x 16.5 10PR. Std.	3
12	KW52006	Tire. 33 x 12.5 x 15. Opt.	3
13	KW52016	Trencher Tire 29.00 x 12.5 x 12. Opt.	3
14	T300183	Wheel Rim. Front. Flotation & Trencher Opt.	2
15	T500171	Tire & Rim Assy. Rear. Std. Medium	Per. Machine 1
16	T500172	Tire & Rim Assy. Rear. Flotation Opt. Large	Per. Machine 1
	T500122	Tire & Rim Assy. Rear. Opt. Small	Per. Machine 1
17	KW52013	Valve Stem	1
18	KW54009	Wheel Rim. Rear. Std. Medium	1
19	KW54011	Wheel Rim. Rear. Opt. Flotation & Trencher	1
	KW54012	Wheel Rim. Rear. Opt. Small	1
20	F991400	Lug Nut	10
21	T300199	Front Wheel Cover RH	1
	T300198	Front Wheel Cover LH	1
22	T500162	Tire & Rim Assy. LH. Front. Std. Medium	Per. Machine 1
23	T500163	Tire & Rim Assy. RH. Front. Std. Medium	Per. Machine 1
24	T500164	Tire & Rim Assy. LH & RH. Flotation Opt. Large	Per. Machine 2
	T500176	Tire & Rim Assy. LH. Front. Trencher Opt. Small	Per. Machine 1
	T500177	Tire & Rim Assy. RH. Front. Trencher Opt. Small	Per. Machine 1
25	KW54010	Wheel Rim. Front. Std	2
26	F061400	Stud - 14mm. Wheel Motor	10
NOTE			
<div style="border: 1px solid black; padding: 5px; width: fit-content; margin: auto;"> <p>Item 8 KH30021 Wheel Motor c/w Brake Installed on Serial No. 270 & 293 KH30004 used on Serial No. 294 & up.</p> </div>			



Kesmac Inc.

23324 Woodbine Avenue, Keswick Ontario Canada L4P 0N1

Tel (905) 476-6222 Fax (905) 476-6744

Web Site www.brouwerkesmac.com Email info@kesmac.com